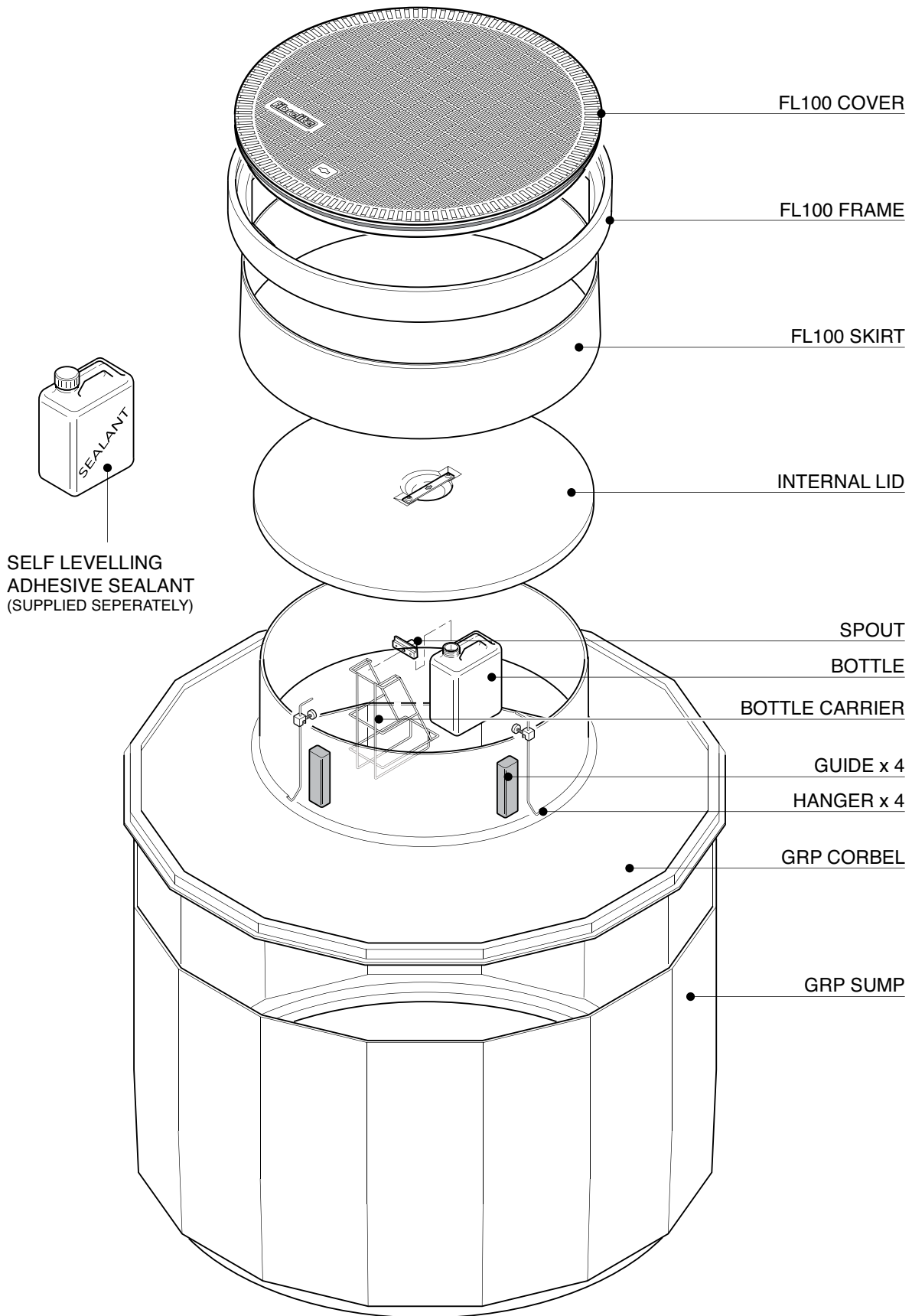


1.4m diameter sump with collar ring base, corbel, skirt, non structural internal lid, round 1020mm flat sealed cover and frame.

For reference purposes only. This drawing is not a specification. Order against product code only. To enable continuous improvement of our products, the designs and specifications are subject to change without notice.

**FIBRELITE**   
PART OF OPW A DOVER COMPANY



SELF LEVELLING  
ADHESIVE SEALANT  
(SUPPLIED SEPERATELY)

FL100 COVER

FL100 FRAME

FL100 SKIRT

INTERNAL LID

SPOUT

BOTTLE

BOTTLE CARRIER

GUIDE x 4

HANGER x 4

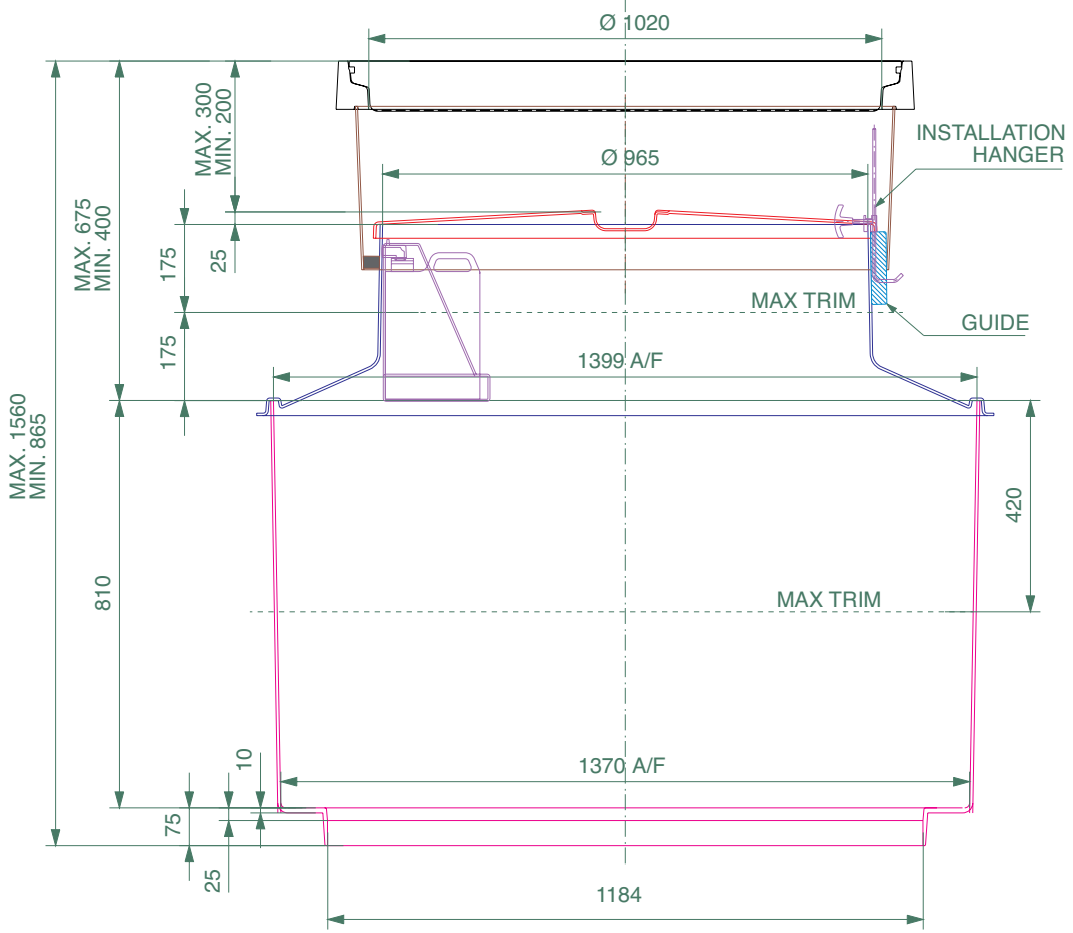
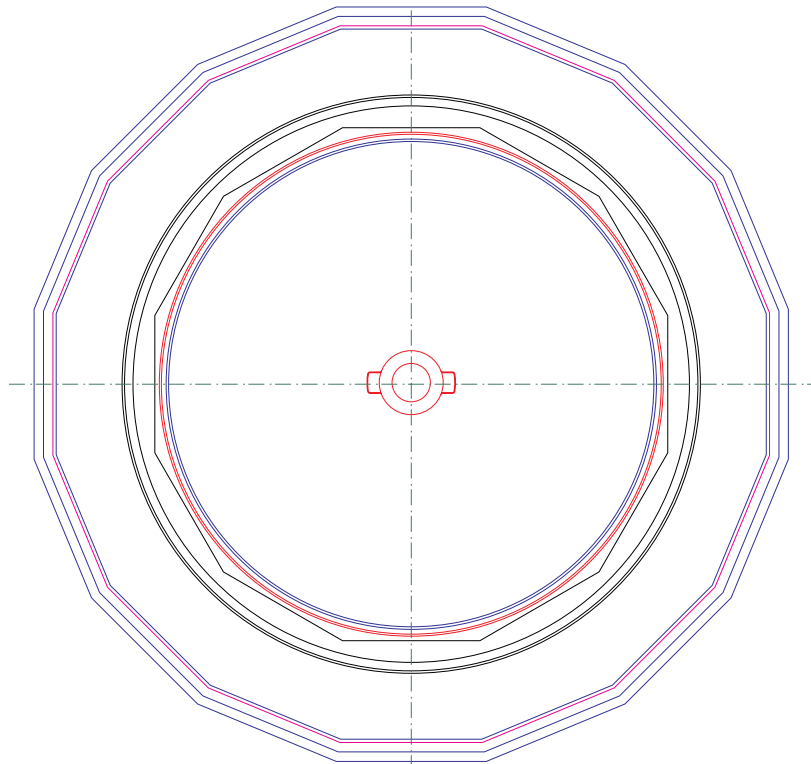
GRP CORBEL

GRP SUMP

1.4m diameter sump with collar ring base, corbel, skirt, non structural internal lid, round 1020mm flat sealed cover and frame.

For reference purposes only. This drawing is not a specification. Order against product code only. To enable continuous improvement of our products, the designs and specifications are subject to change without notice.





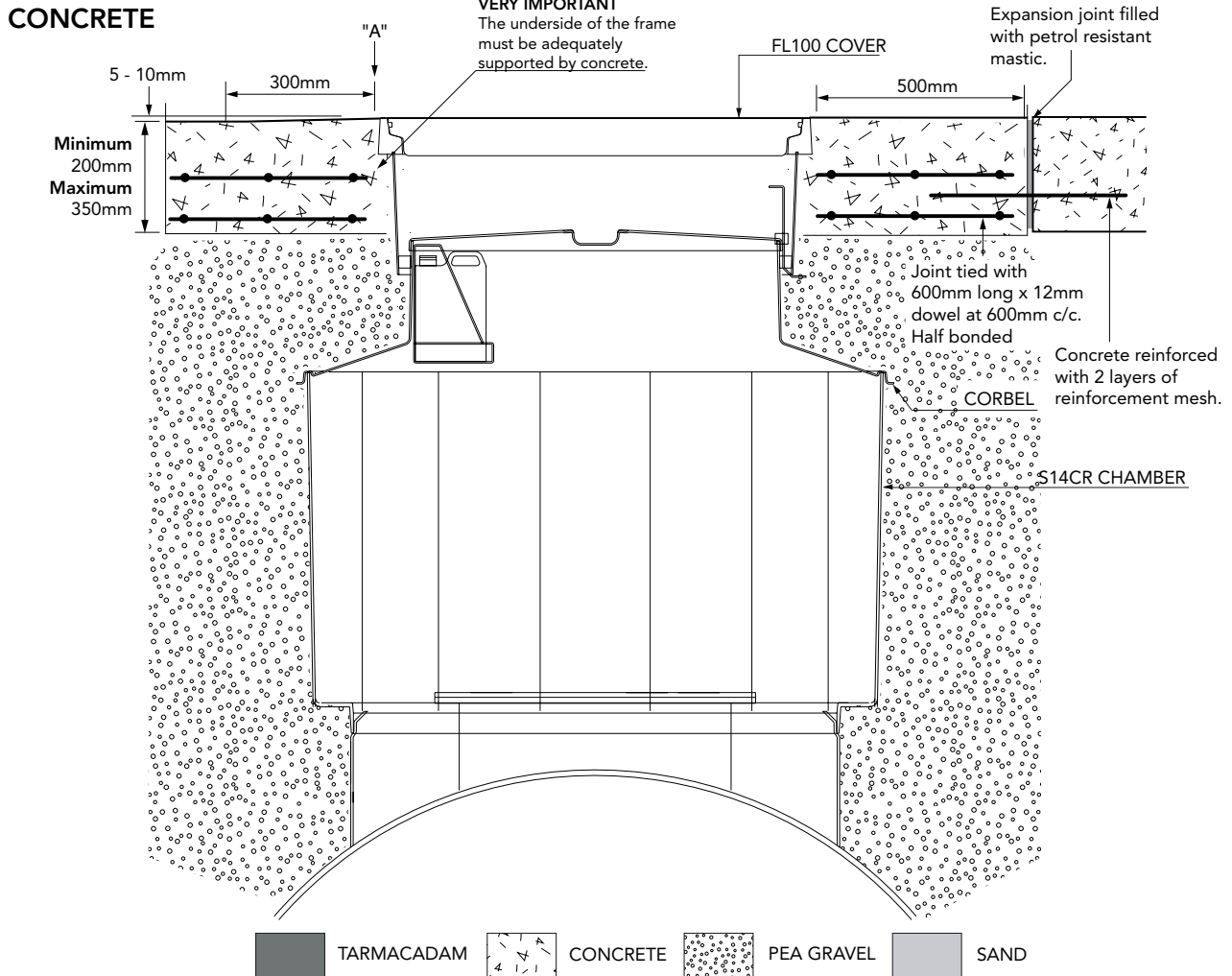
1.4m diameter sump with collar ring base, corbel, skirt, non structural internal lid, round 1020mm flat sealed cover and frame.

For reference purposes only. This drawing is not a specification. Order against product code only. To enable continuous improvement of our products, the designs and specifications are subject to change without notice.

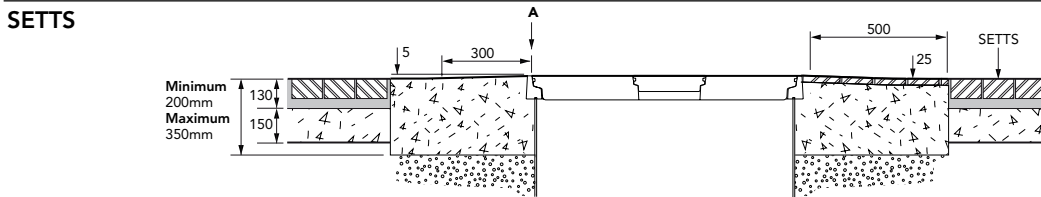
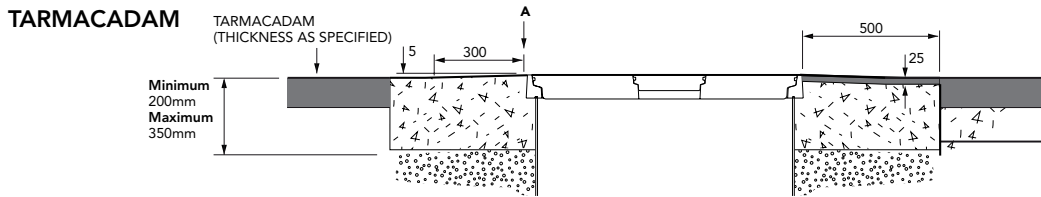


**VERY IMPORTANT**  
 OUTER EDGE "A" OF FRAME SET 5 - 10MM  
 ABOVE GENERAL FORECOURT AREA WITH  
 CONCRETE RAMPED AWAY OVER 300MM.

**TYPICAL INSTALLATION**



**ALTERNATIVE INSTALLATION ADVICE**



1.4m diameter sump with collar ring base, corbel, skirt, non structural internal lid, round 1020mm flat sealed cover and frame.

For reference purposes only. This drawing is not a specification. Order against product code only. To enable continuous improvement of our products, the designs and specifications are subject to change without notice.

**FIBRELITE**   
 PART OF OPW A DOWDER COMPANY