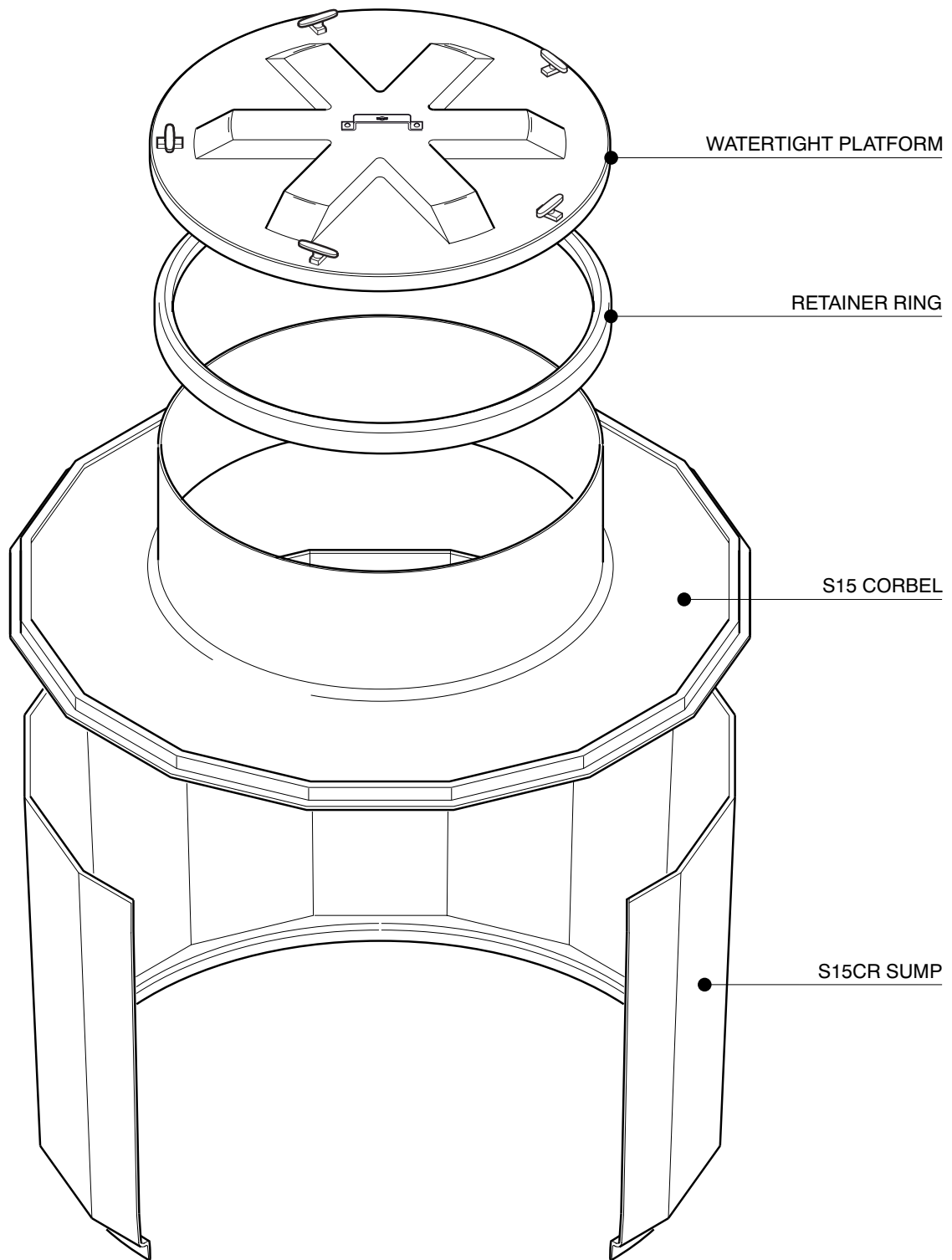


1.45m diameter sump with collar ring, corbel and watertight platform.
Designed for green area applications.

For reference purposes only. This drawing is not a specification. Order against product code only. To enable continuous improvement of our products, the designs and specifications are subject to change without notice.

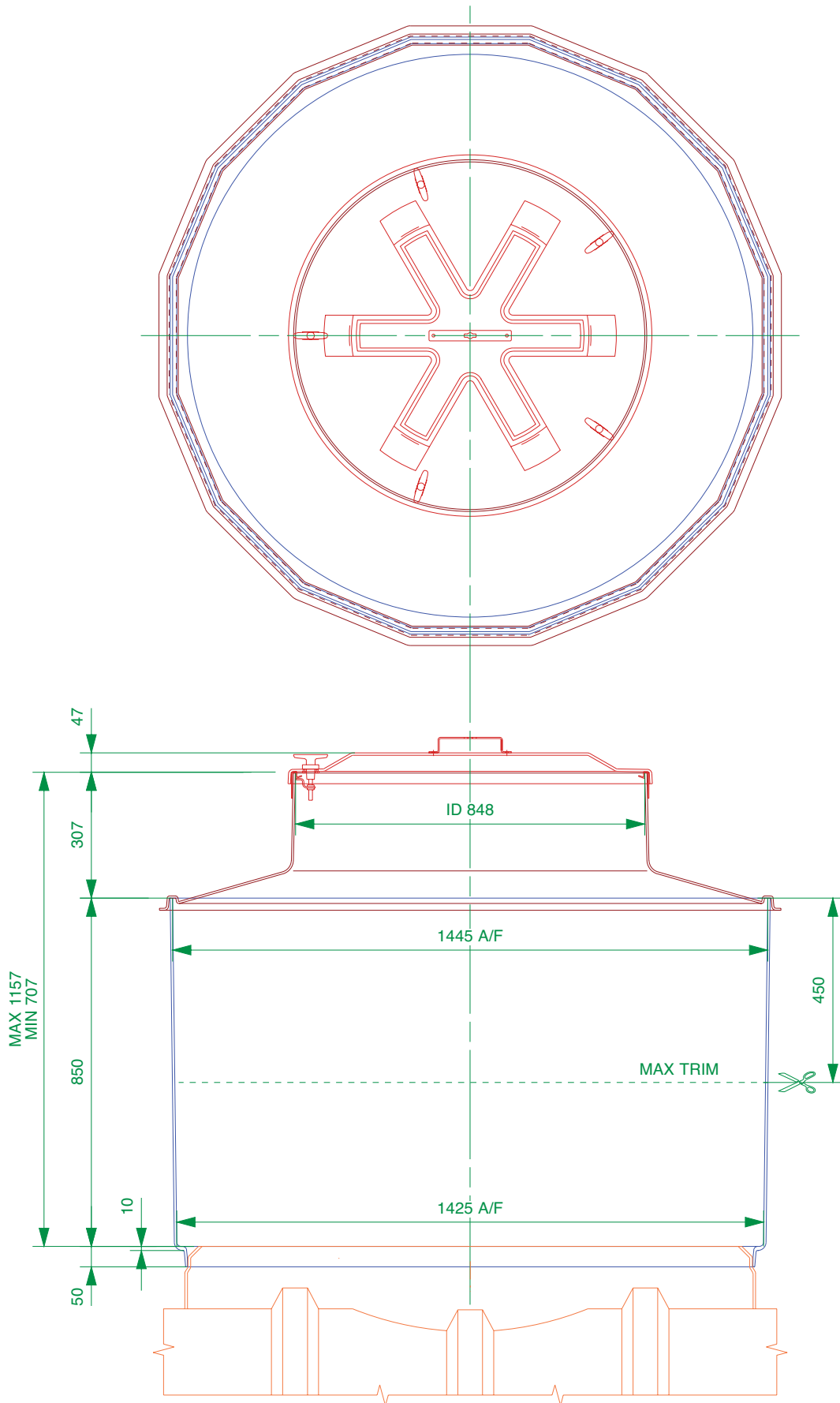
FIBRELITE 
PART OF OPW A  COMPANY



1.45m diameter sump with collar ring, corbel and watertight platform.
 Designed for green area applications.

For reference purposes only. This drawing is not a specification. Order against product code only. To enable continuous improvement of our products, the designs and specifications are subject to change without notice.

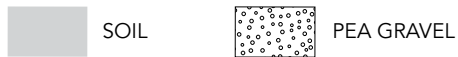
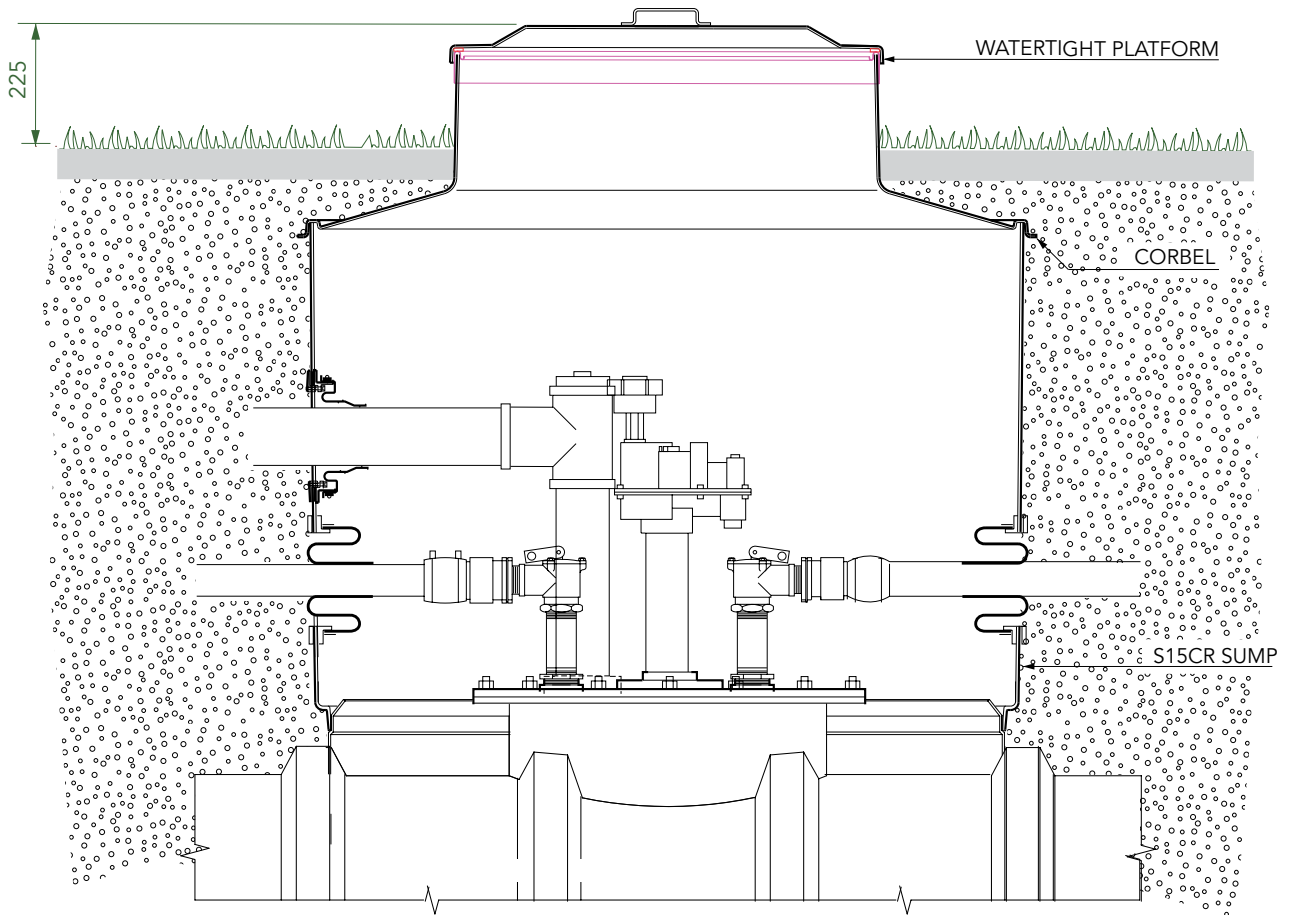
FIBRELITE 
 PART OF OPW A DOVER COMPANY



1.45m diameter sump with collar ring, corbel and watertight platform.
 Designed for green area applications.

For reference purposes only. This drawing is not a specification. Order against product code only. To enable continuous improvement of our products, the designs and specifications are subject to change without notice.

FIBRELITE 
 PART OF OPW A DOVER COMPANY



1.45m diameter sump with collar ring, corbel and watertight platform.
Designed for green area applications.

For reference purposes only. This drawing is not a specification. Order against product code only. To enable continuous improvement of our products, the designs and specifications are subject to change without notice.

FIBRELITE 
PART OF OPW A DOWER COMPANY