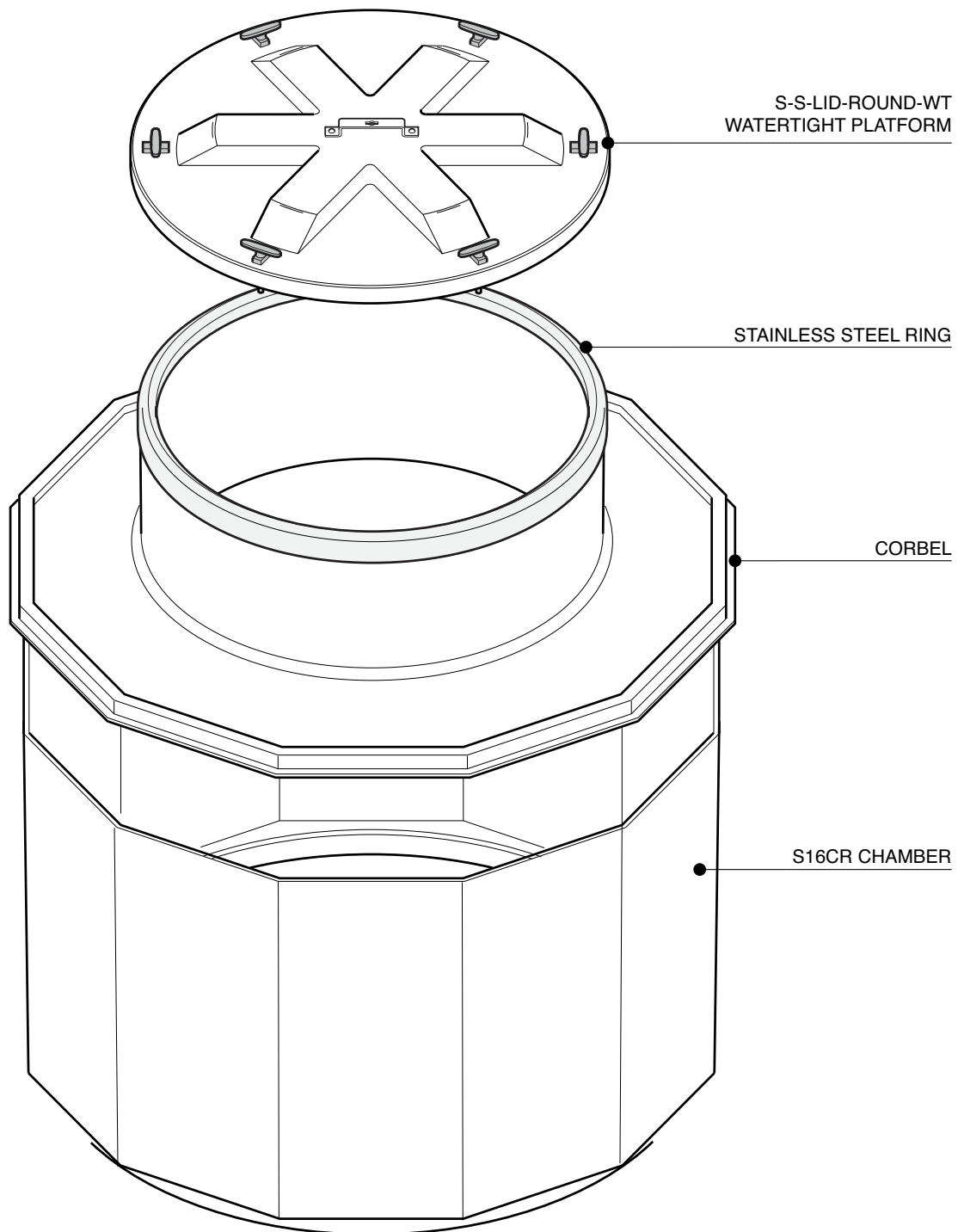


1.5m diameter sump with collar ring, corbel, stainless steel retainer ring and watertight platform.
For green area application.

For reference purposes only. This drawing is not a specification. Order against product code only. To enable continuous improvement of our products, the designs and specifications are subject to change without notice.

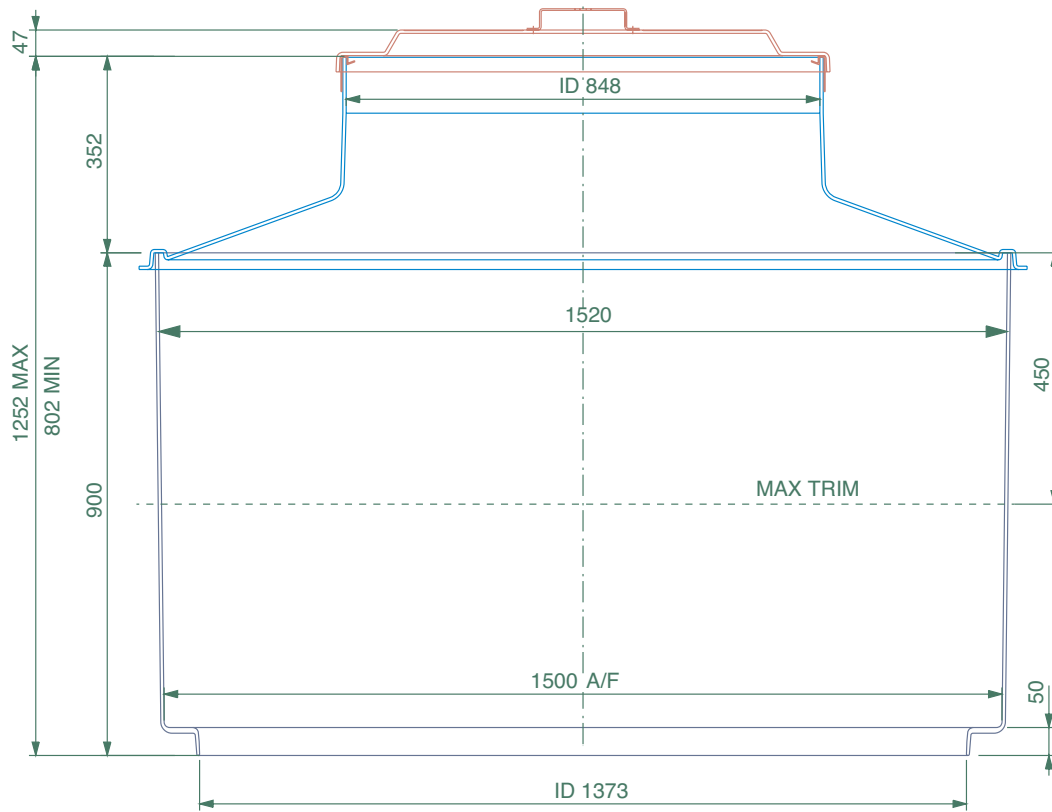
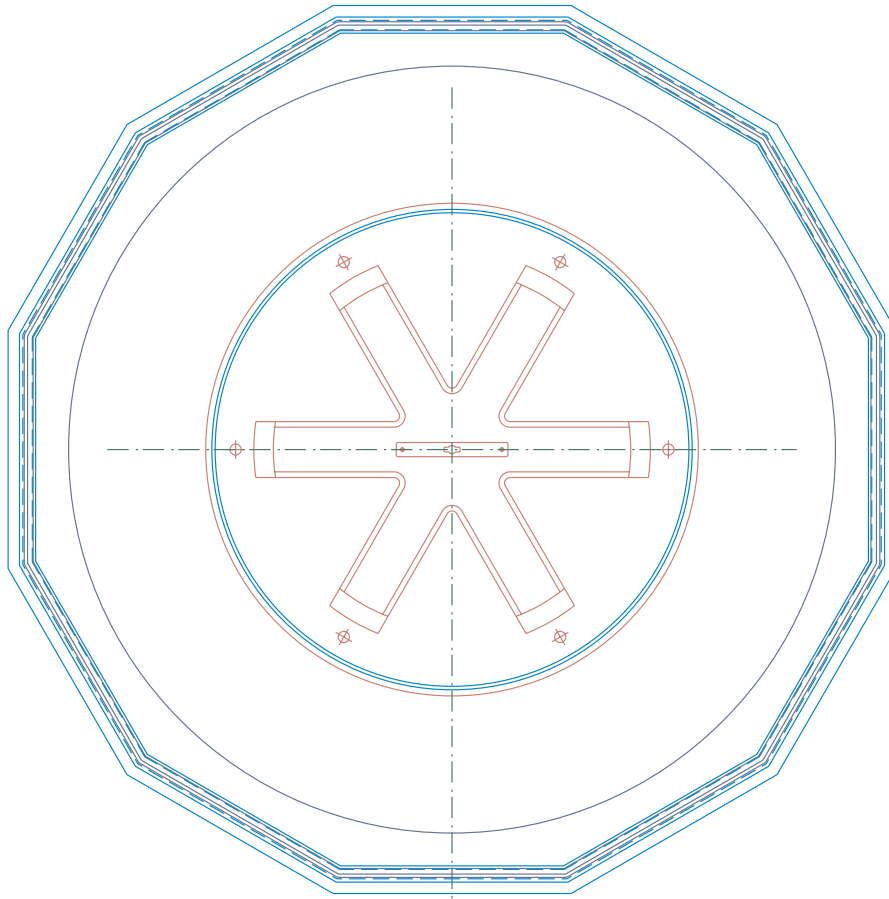
FIBRELITE 
PART OF OPW A DOVER COMPANY



1.5m diameter sump with collar ring, corbel, stainless steel retainer ring and watertight platform.
For green area application.

For reference purposes only. This drawing is not a specification. Order against product code only. To enable continuous improvement of our products, the designs and specifications are subject to change without notice.

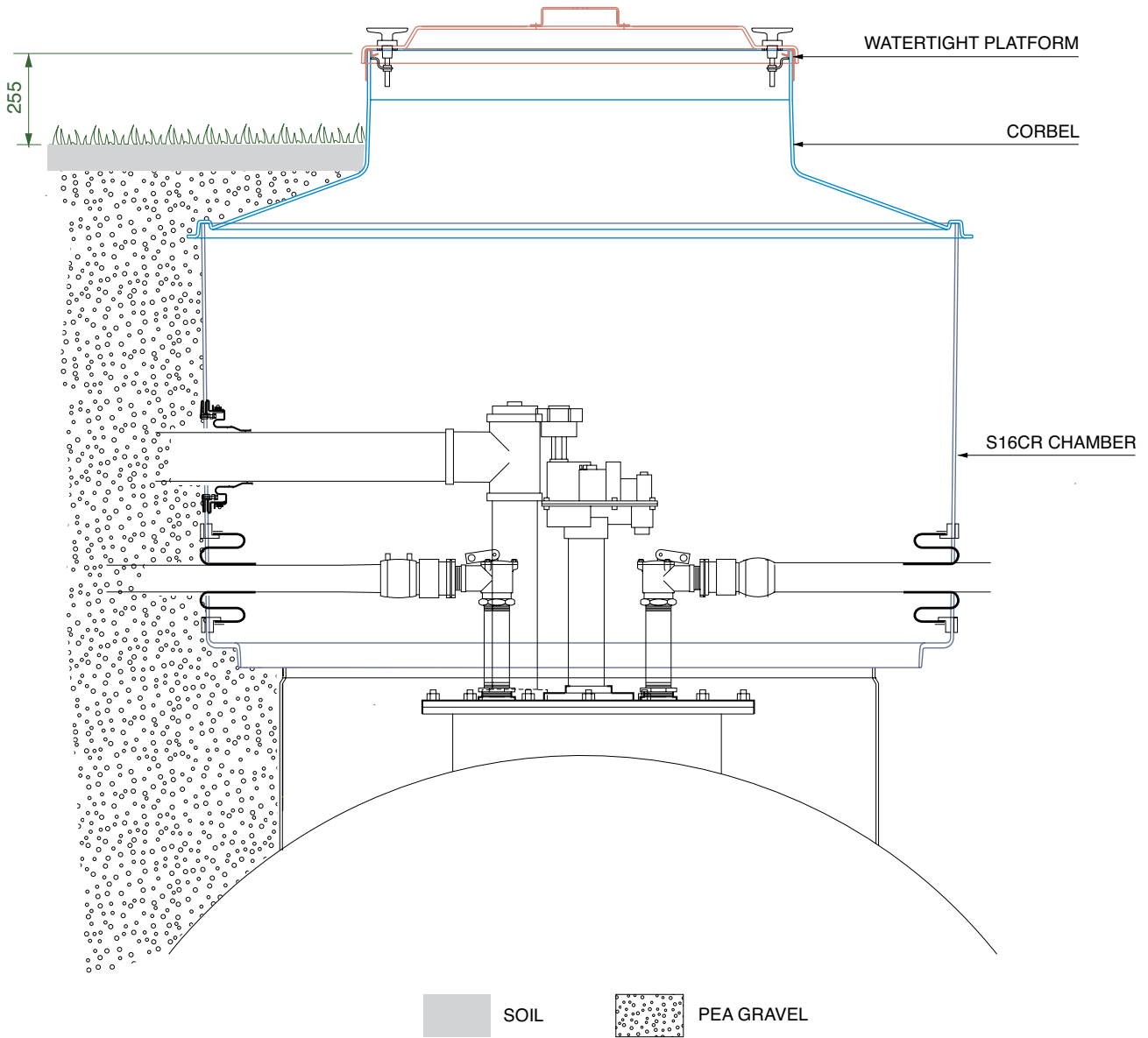
FIBRELITE 
PART OF OPW A  COMPANY



1.5m diameter sump with collar ring, corbel, stainless steel retainer ring and watertight platform.
For green area application.

For reference purposes only. This drawing is not a specification. Order against product code only. To enable continuous improvement of our products, the designs and specifications are subject to change without notice.





1.5m diameter sump with collar ring, corbel, stainless steel retainer ring and watertight platform.
For green area application.

For reference purposes only. This drawing is not a specification. Order against product code only. To enable continuous improvement of our products, the designs and specifications are subject to change without notice.

FIBRELITE 
PART OF OPW A DOWER COMPANY