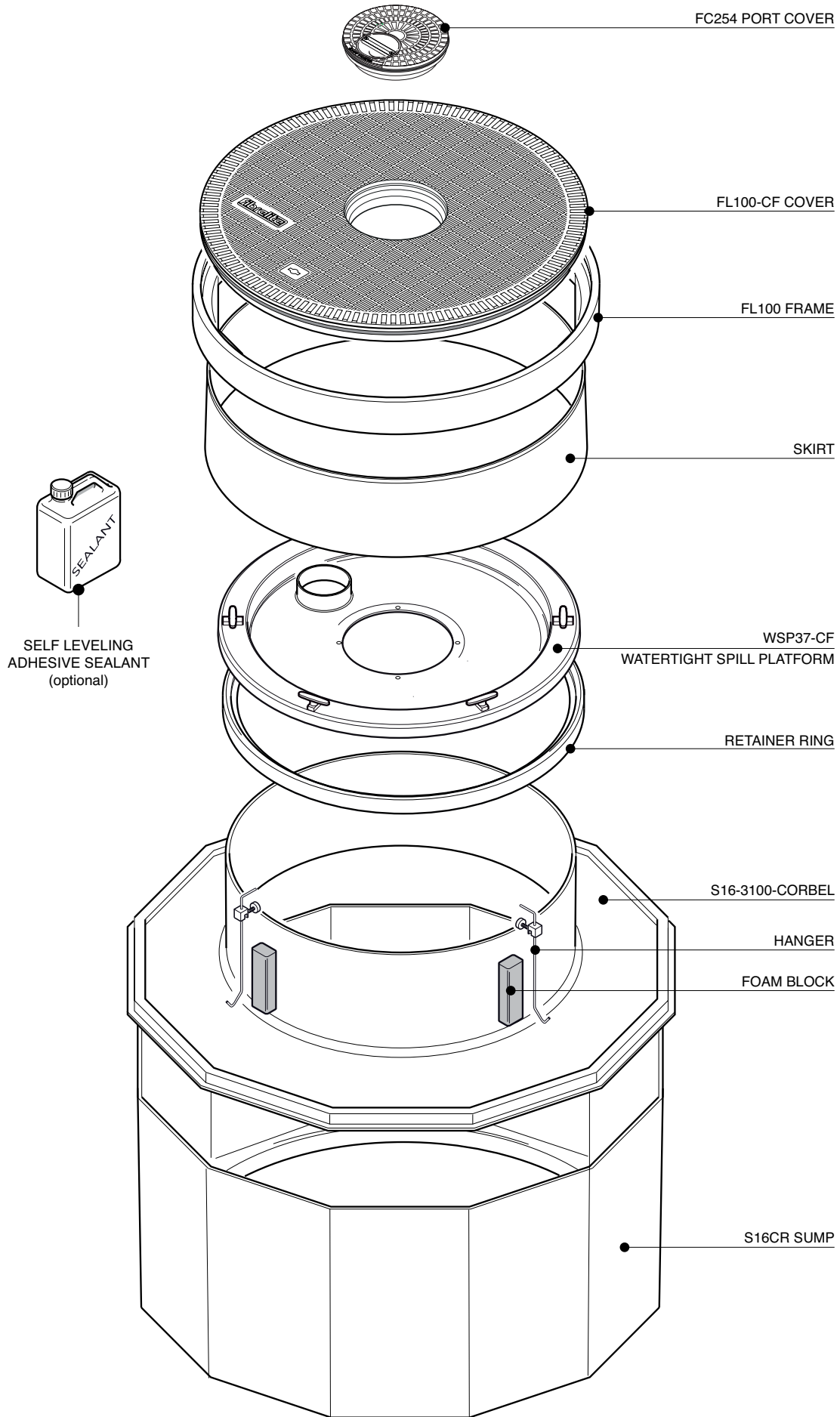


1.5m diameter sump with collar ring, corbel, adjustable height skirt, spill container, round 1020mm flat sealed cover and frame.

For reference purposes only. This drawing is not a specification. Order against product code only. To enable continuous improvement of our products, the designs and specifications are subject to change without notice.

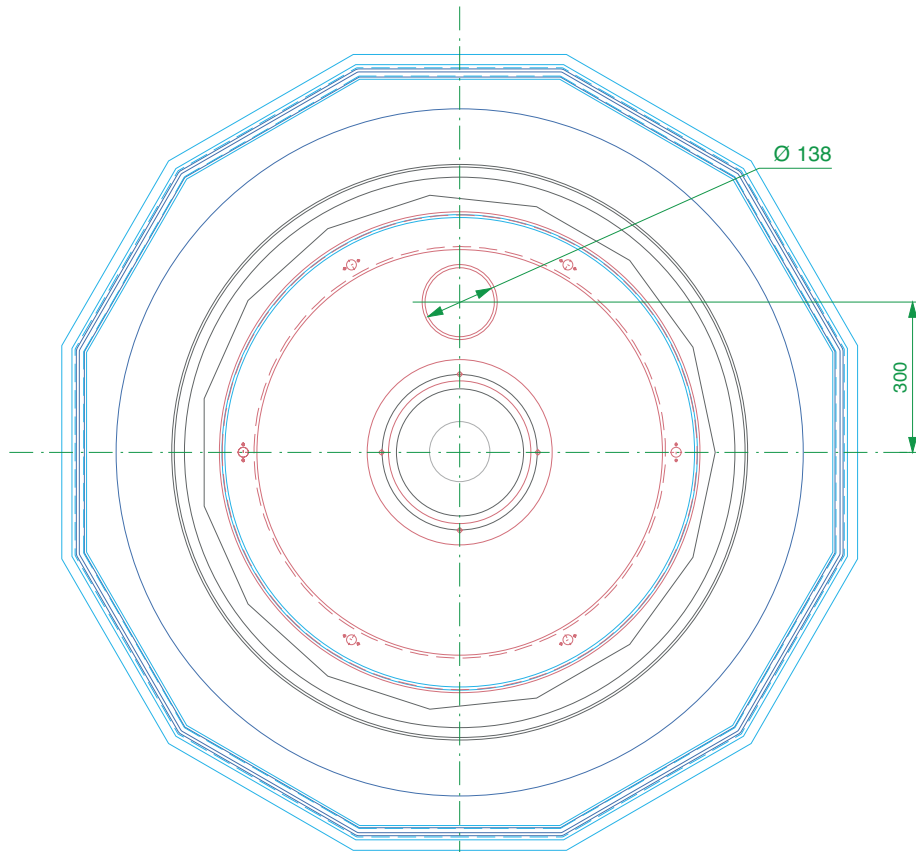
FIBRELITE 
PART OF OPW A DOVER COMPANY



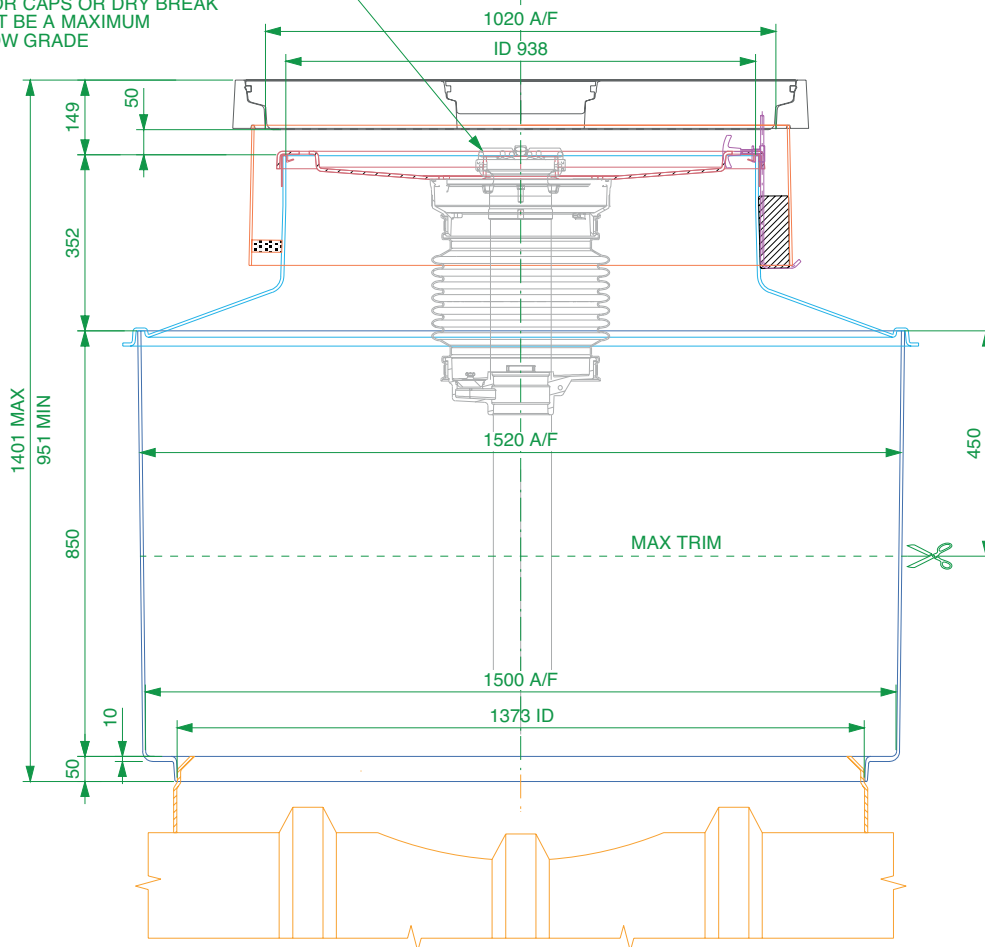
1.5m diameter sump with collar ring, corbel, adjustable height skirt, spill container, round 1020mm flat sealed cover and frame.

For reference purposes only. This drawing is not a specification. Order against product code only. To enable continuous improvement of our products, the designs and specifications are subject to change without notice.

FIBRELITE 
PART OF OPW A DOWDER COMPANY



CRITICAL DIMENSION FOR FILL AND VAPOR ADAPTORS
 TOP OF ADAPTOR CAPS OR DRY BREAK COUPLING MUST BE A MAXIMUM OF 130mm BELOW GRADE



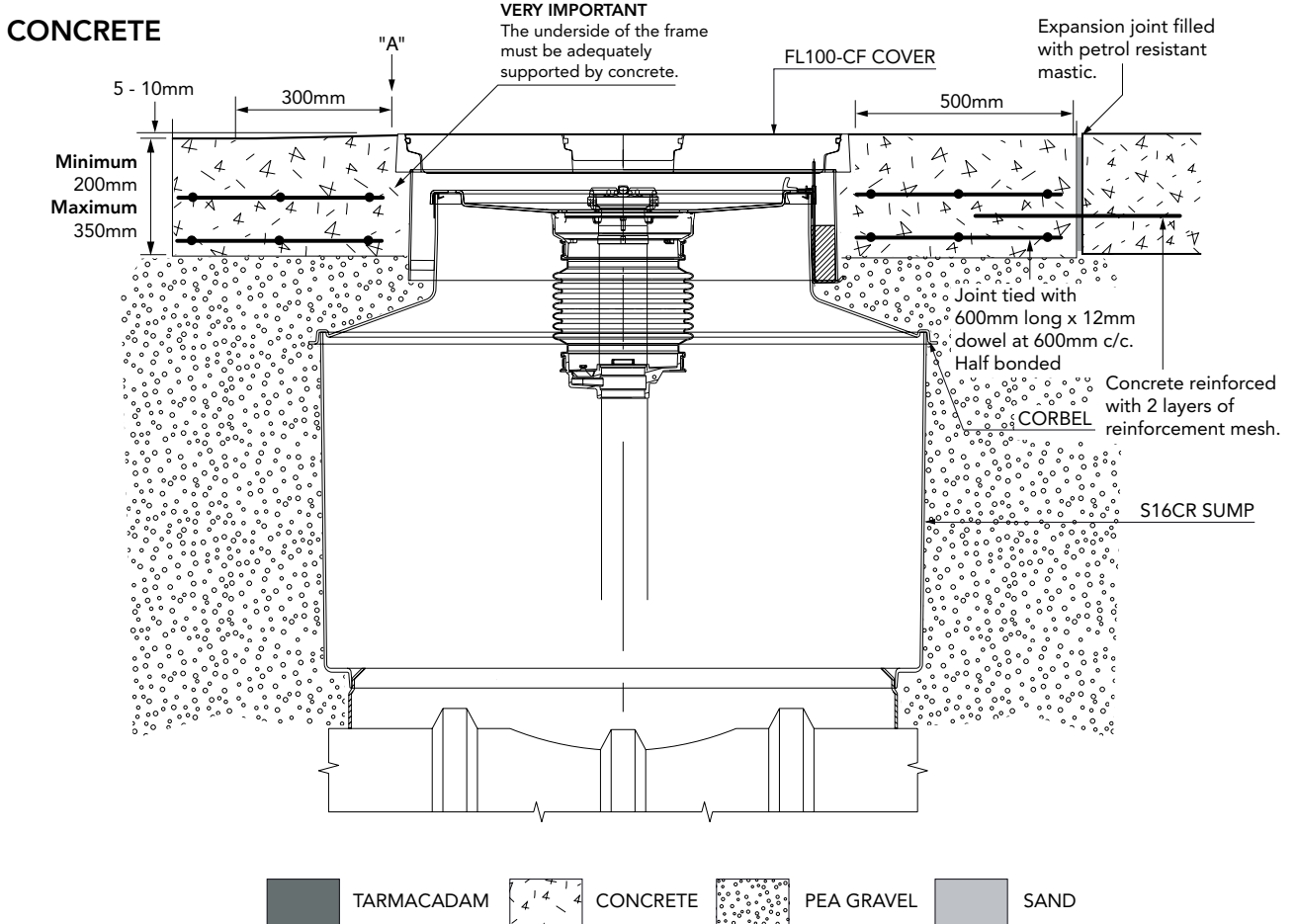
1.5m diameter sump with collar ring, corbel, adjustable height skirt, spill container, round 1020mm flat sealed cover and frame.

For reference purposes only. This drawing is not a specification. Order against product code only. To enable continuous improvement of our products, the designs and specifications are subject to change without notice.

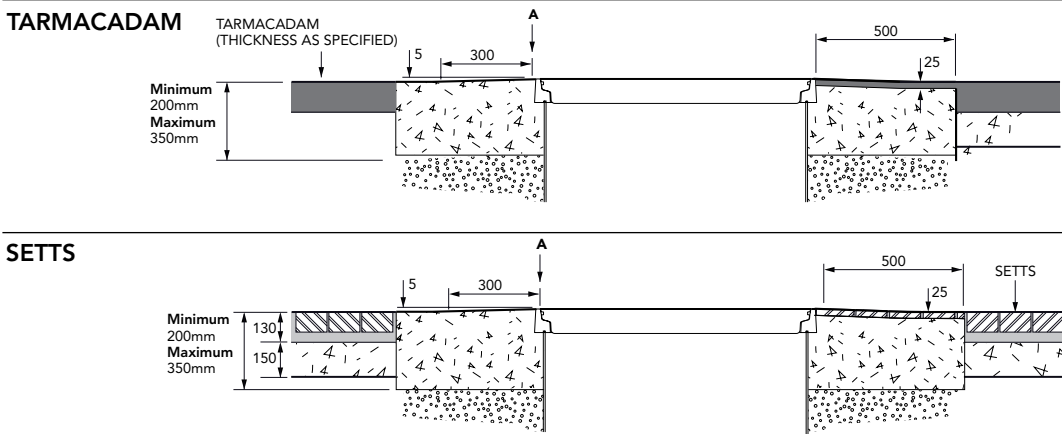
FIBRELITE 
 PART OF OPW A DOWDER COMPANY

VERY IMPORTANT
 OUTER EDGE "A" OF FRAME SET 5 - 10MM
 ABOVE GENERAL FORECOURT AREA WITH
 CONCRETE RAMPED AWAY OVER 300MM.

TYPICAL INSTALLATION



ALTERNATIVE INSTALLATION ADVICE



1.5m diameter sump with collar ring, corbel, adjustable height skirt, spill container, round 1020mm flat sealed cover and frame.

For reference purposes only. This drawing is not a specification. Order against product code only. To enable continuous improvement of our products, the designs and specifications are subject to change without notice.

FIBRELITE

PART OF OPW A DOWDER COMPANY