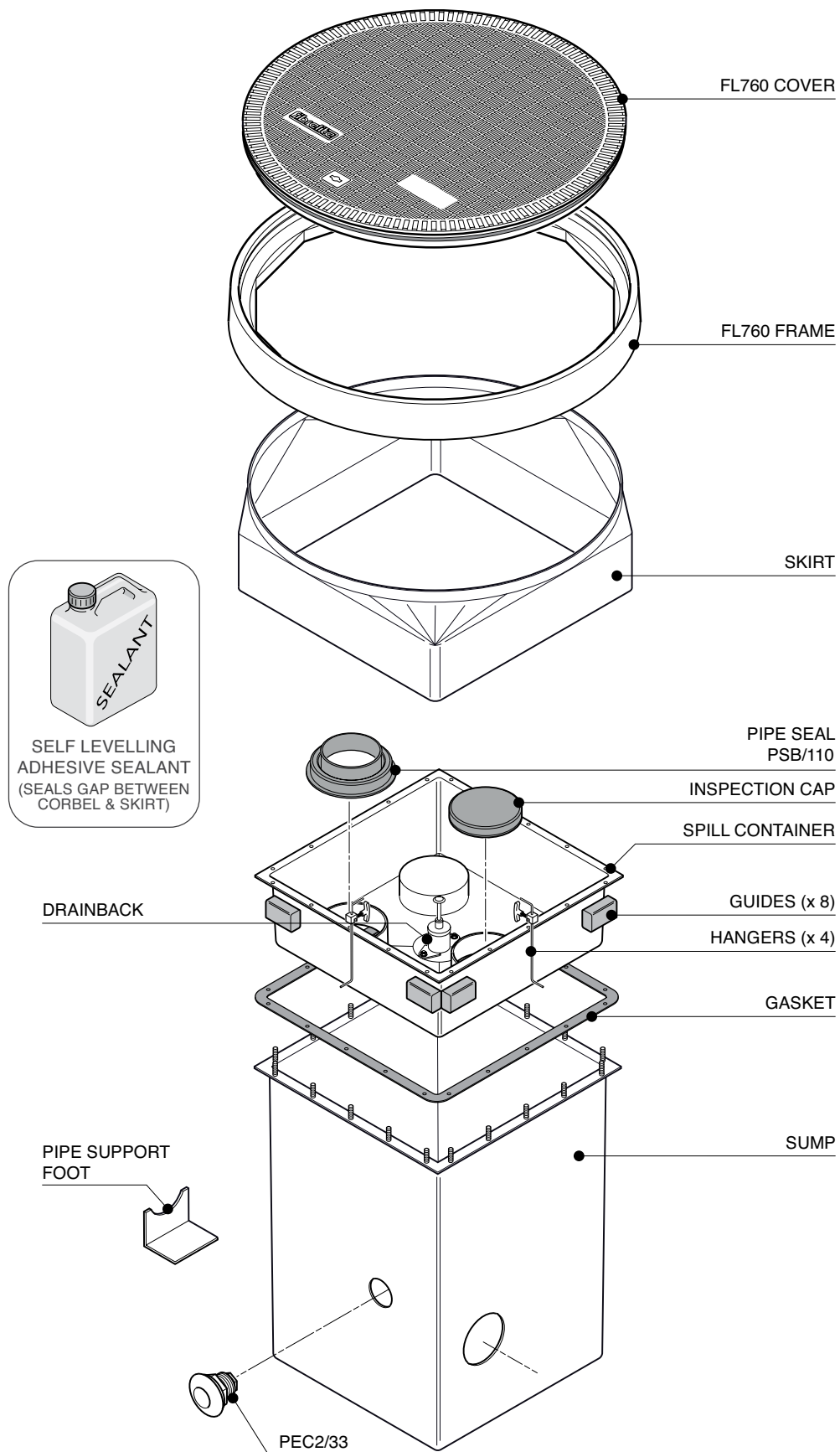


490mm square x 770mm deep offset fill chamber system with adjustable skirt, spill container with integrated drainback, 1/2 tin of sealant and FL760 flat sealed cover with composite frame. Includes inspection port cap, pipe entry and penetration fitting for grounding connection. Includes preinstalled KPS pipework for 1 fill.

For reference purposes only. This drawing is not a specification. Order against product code only. To enable continuous improvement of our products, the designs and specifications are subject to change without notice.



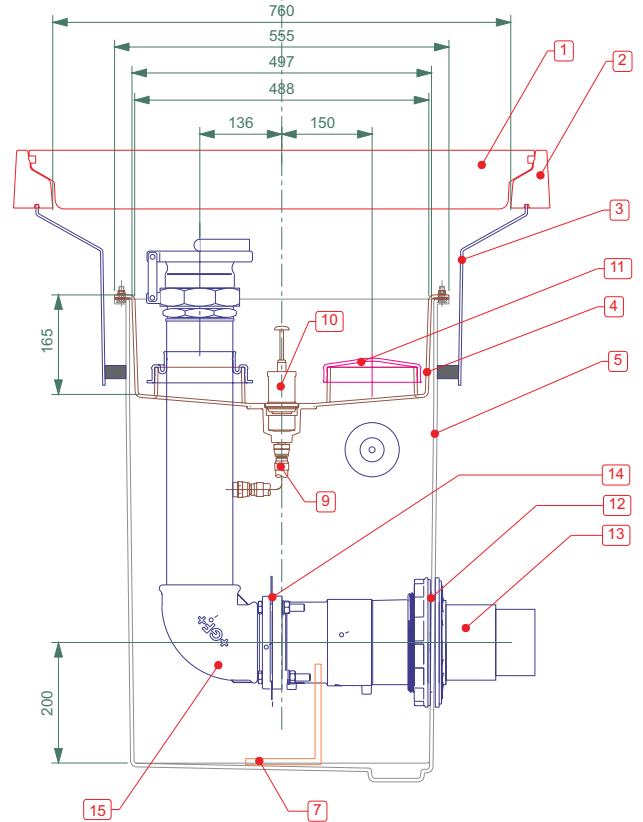
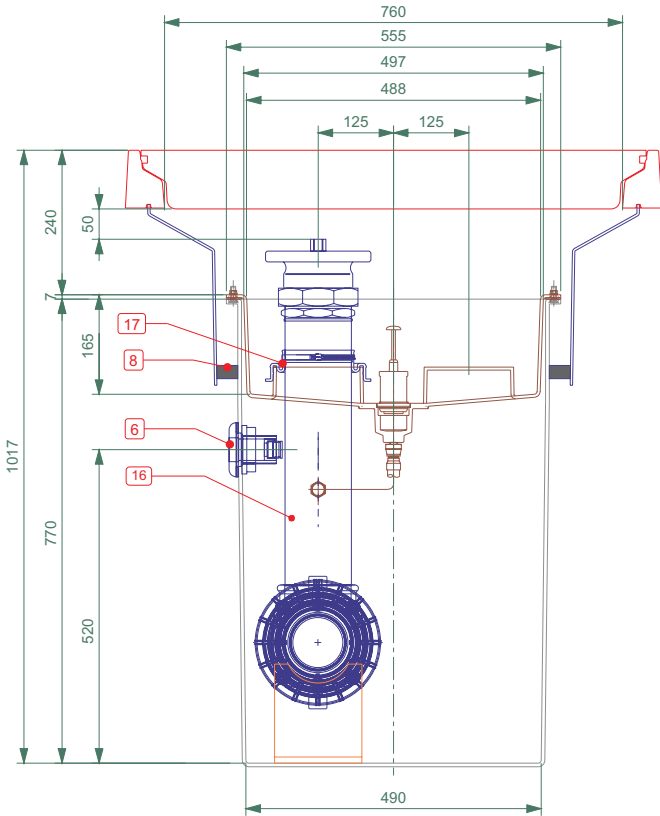
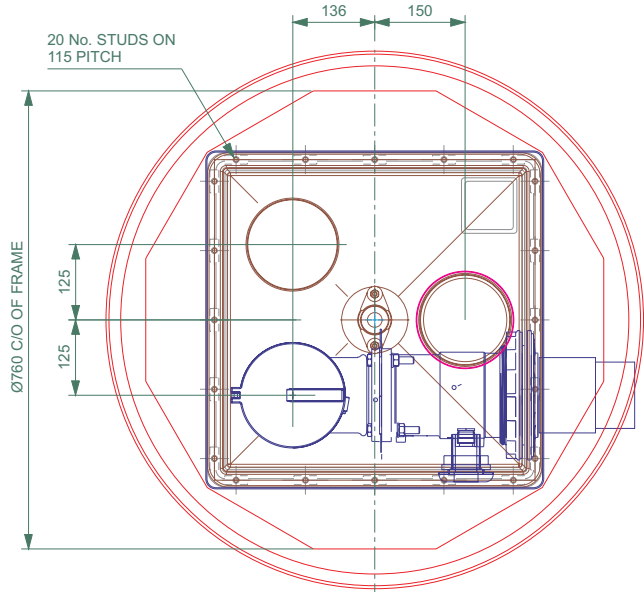
490mm square x 770mm deep offset fill chamber system with adjustable skirt, spill container with integrated drainback, 1/2 tin of sealant and FL760 flat sealed cover with composite frame. Includes inspection port cap, pipe entry and penetration fitting for grounding connection. Includes preinstalled KPS pipework for 1 fill.

For reference purposes only. This drawing is not a specification. Order against product code only. To enable continuous improvement of our products, the designs and specifications are subject to change without notice.

FIBRELITE 
PART OF OPW A DOVER COMPANY

ITEM	DESCRIPTION	CODE	QTY
1	Fibrelite FL760 Cover	FL760C	1
2	Fibrelite FL760 Frame	FL760F	1
3	Fibrelite 270mm Deep Skirt	FL760/SK300/OF	1
4	Fibrelite Spill Container with Integrated Drain Back Valve	S2/SC/760/ROW	1
5	Fibrelite 490sq x 770mm Sump	S2-OFB-760D	1
6	Fibrelite Grounding Cable Seal	PEC/2/33	1
7	Fibrelite Pipe Support	PSF	1
8	Fibrelite Self-levelling Seal	S/CS/SEALANT	1
9	Drainback Hose Kit (Flexible Drain Back Hose, 1/2" BSPT Male x Male Cone Faced Adaptor, 1/2" BSP 1/2 Socket)	--	1
10	Drain Back Valve	--	1
11	Inspection Cap	--	1

ITEM	DESCRIPTION - 4" FILL	QTY
12	KPTM125 / 110SCOI Secondary Contained Sump Entry Fitting	1
13	KPS 125 / 110 Secondary Container Pipe	1
14	KPC12 110 / Flange Kit	1
15	KP 90/100 4Ø Elbow	1
16	4GI Pipe / 4Ø Barrel Nipple	1
17	Fibrelite PSB/110G/V Viton Entry Boot - PSB/110G/V	1



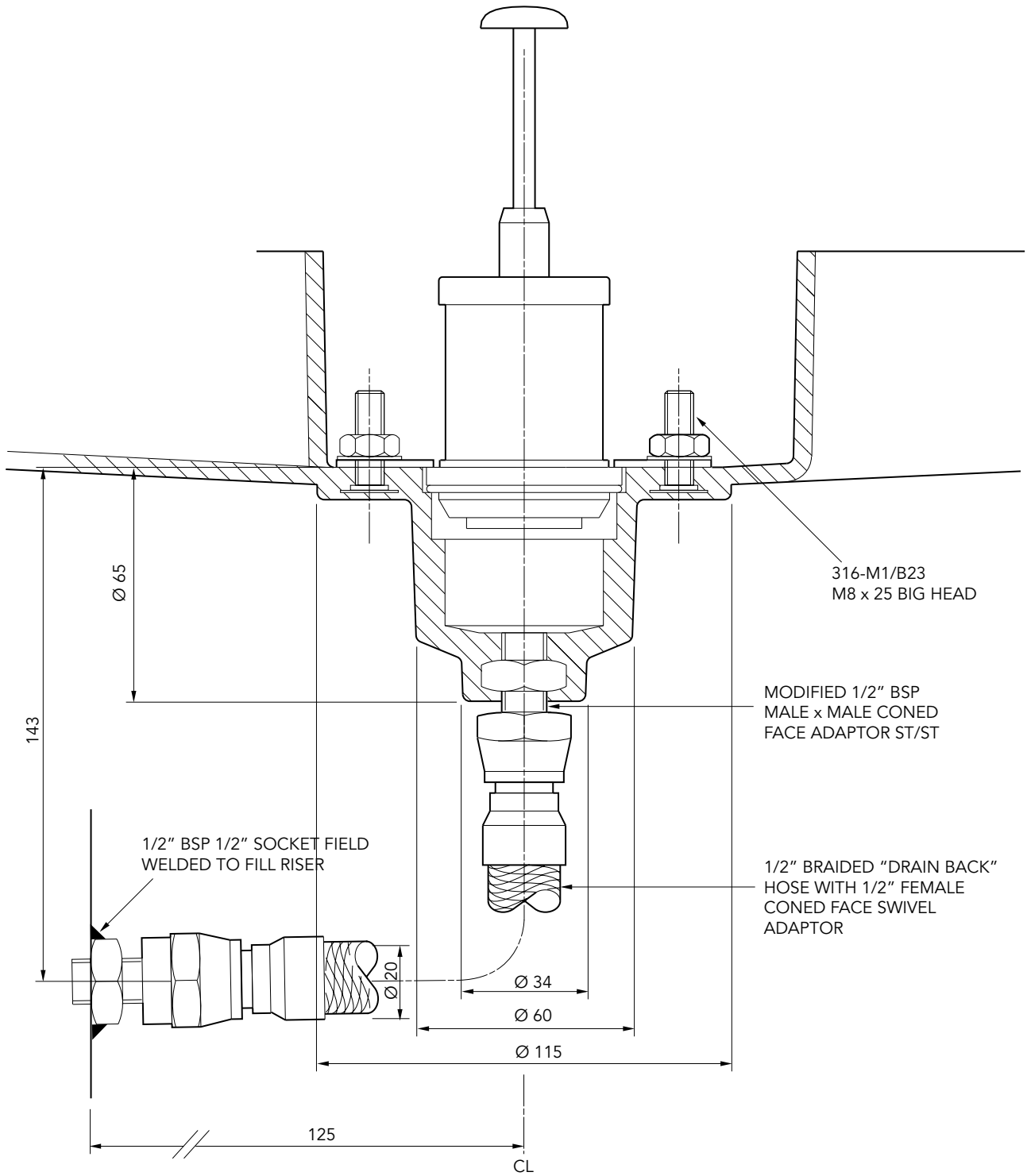
NOTES:

- SUPPLIED WITH 4 No. HANGERS AND 8 No. FOAM GUIDES
- DRAIN BACK SEALING OFF KIT AVAILABLE FOR NON-DRAINBACK VERSIONS
- SPILL CONTAINMENT CAPACITY = 35 Litres / 9.25 US GALL

490mm square x 770mm deep offset fill chamber system with adjustable skirt, spill container with integrated drainback, 1/2 tin of sealant and FL760 flat sealed cover with composite frame. Includes inspection port cap, pipe entry and penetration fitting for grounding connection. Includes preinstalled KPS pipework for 1 fill.

For reference purposes only. This drawing is not a specification. Order against product code only. To enable continuous improvement of our products, the designs and specifications are subject to change without notice.



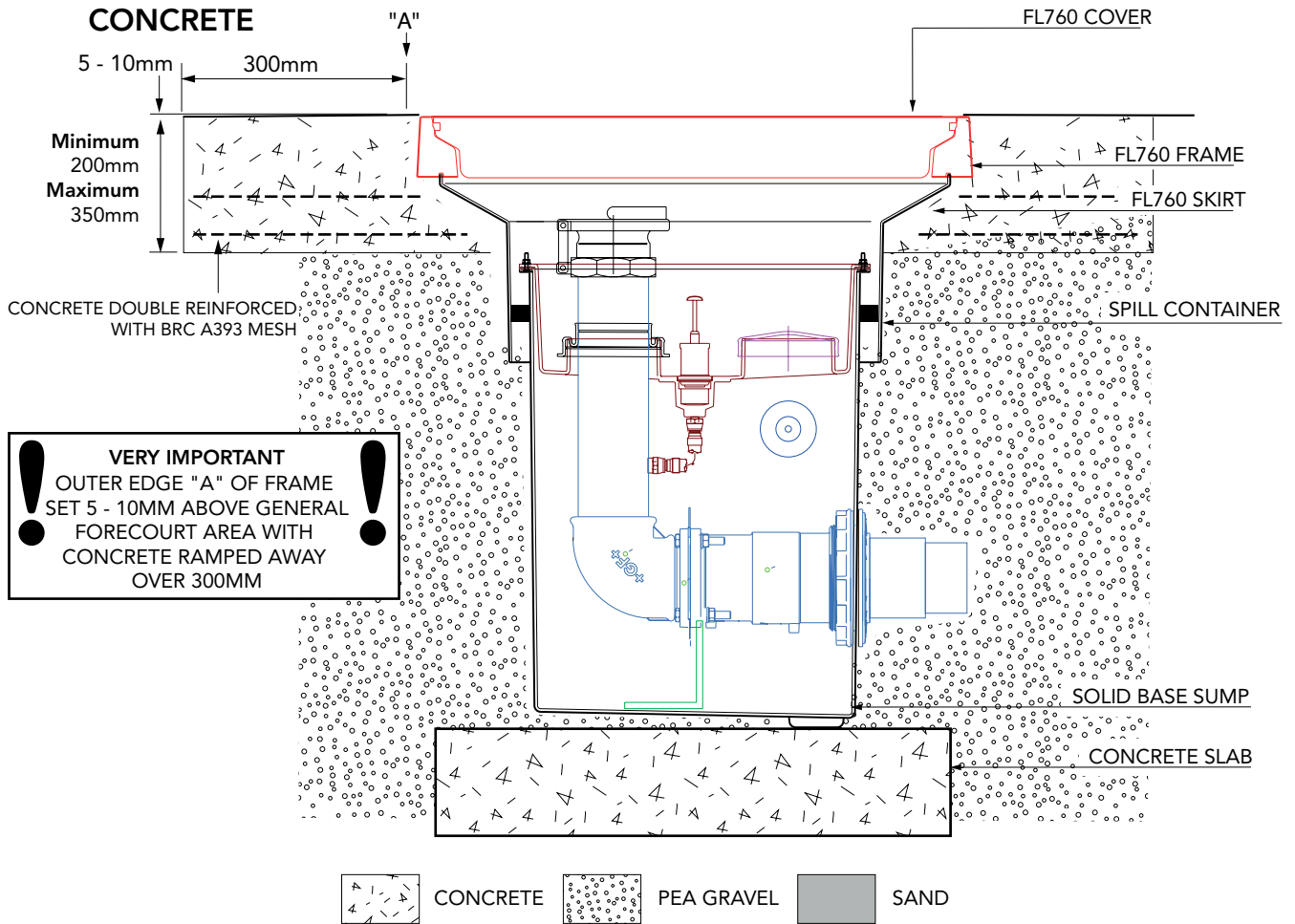


490mm square x 770mm deep offset fill chamber system with adjustable skirt, spill container with integrated drainback, 1/2 tin of sealant and FL760 flat sealed cover with composite frame. Includes inspection port cap, pipe entry and penetration fitting for grounding connection. Includes preinstalled KPS pipework for 1 fill.

For reference purposes only. This drawing is not a specification. Order against product code only. To enable continuous improvement of our products, the designs and specifications are subject to change without notice.

FIBRELITE 
PART OF OPW A DOVER COMPANY

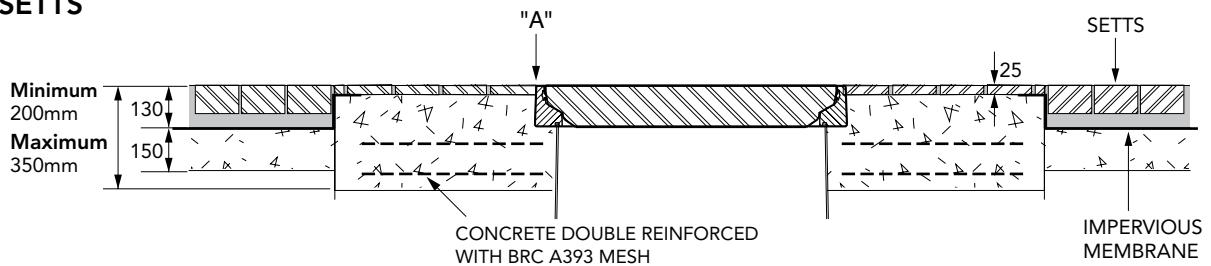
TYPICAL INSTALLATION



VERY IMPORTANT
 ! OUTER EDGE "A" OF FRAME
 ! SET 5 - 10MM ABOVE GENERAL
 FORECOURT AREA WITH
 CONCRETE RAMPED AWAY
 OVER 300MM

ALTERNATIVE INSTALLATION ADVICE

SETTS



490mm square x 770mm deep offset fill chamber system with adjustable skirt, spill container with integrated drainback, 1/2 tin of sealant and FL760 flat sealed cover with composite frame. Includes inspection port cap, pipe entry and penetration fitting for grounding connection. Includes preinstalled KPS pipework for 1 fill.

For reference purposes only. This drawing is not a specification. Order against product code only. To enable continuous improvement of our products, the designs and specifications are subject to change without notice.

FIBRELITE 
PART OF OPW A DOWER COMPANY