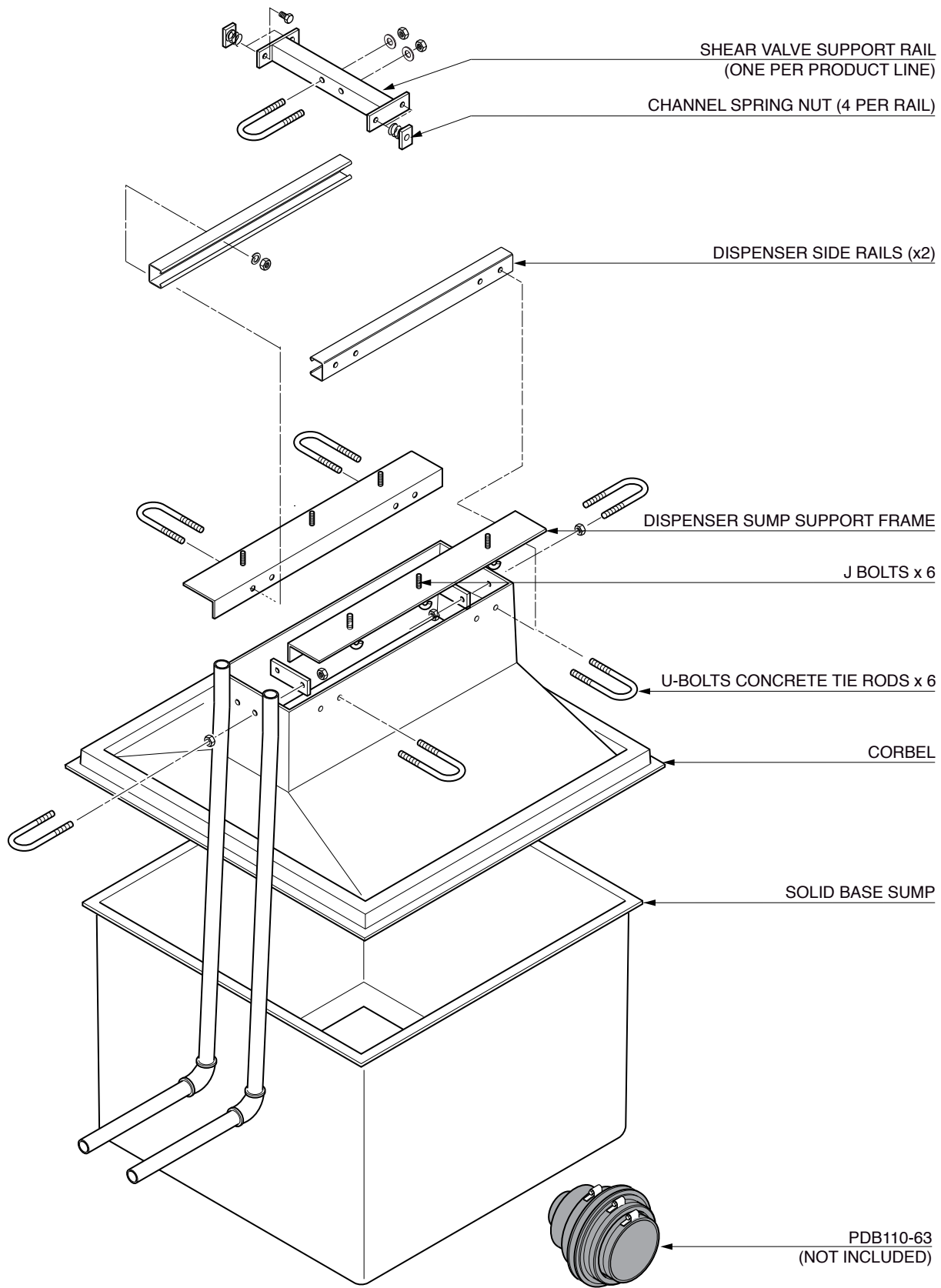


Dispenser sump to fit Gilbarco/China Model: JT1200GB (2- product, 2-hose, 4-display pump, suction, Endeavor

For reference purposes only. This drawing is not a specification. Order against product code only. To enable continuous improvement of our products, the designs and specifications are subject to change without notice.

FIBRELITE 
PART OF OPW A  DOVER COMPANY



SHEAR VALVE SUPPORT RAIL
(ONE PER PRODUCT LINE)

CHANNEL SPRING NUT (4 PER RAIL)

DISPENSER SIDE RAILS (x2)

DISPENSER SUMP SUPPORT FRAME

J BOLTS x 6

U-BOLTS CONCRETE TIE RODS x 6

CORBEL

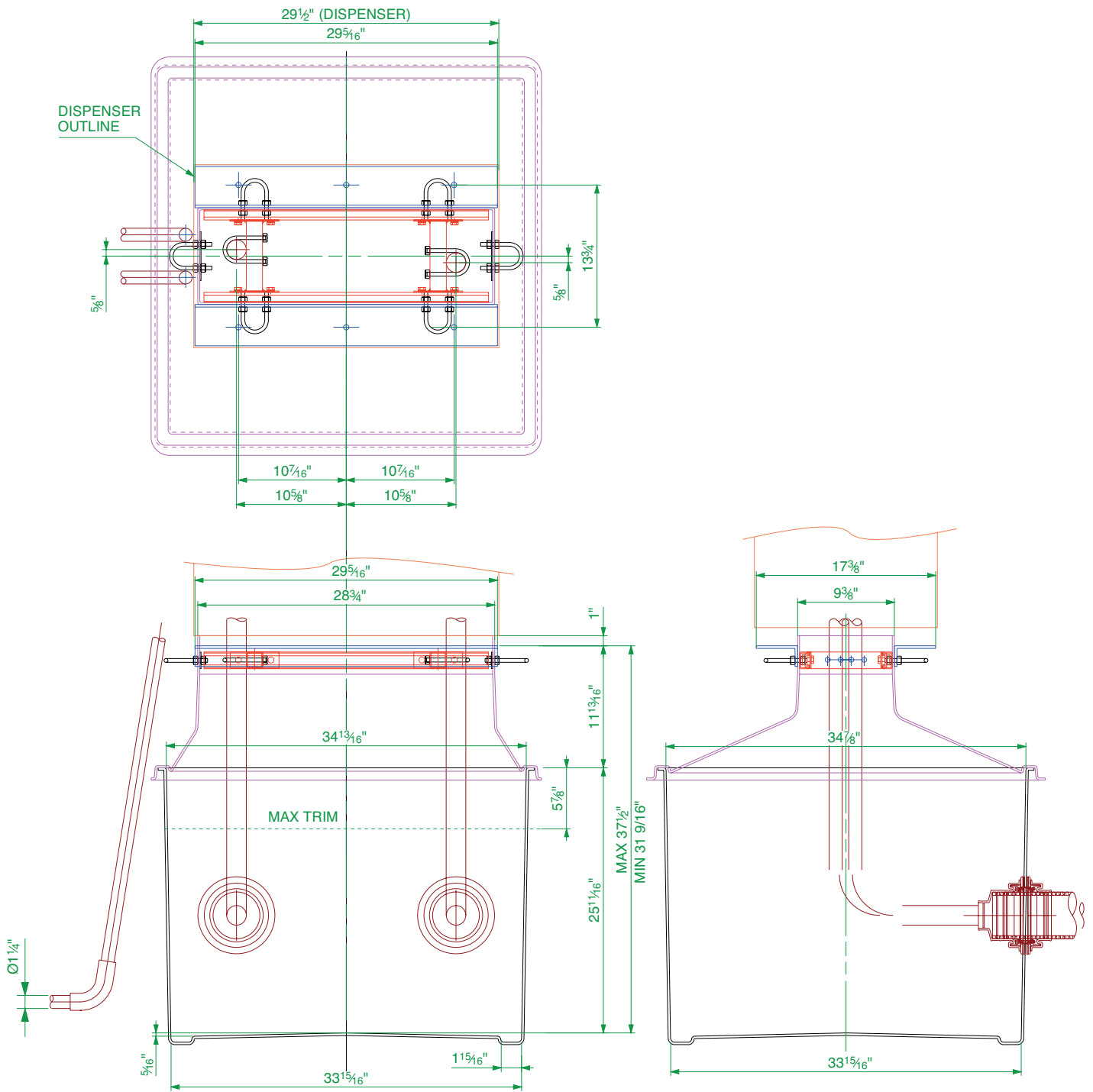
SOLID BASE SUMP

PDB110-63
(NOT INCLUDED)

Dispenser sump to fit Gilbarco/China Model: JT1200GB (2- product, 2-hose, 4-display pump, suction, Endeavor

For reference purposes only. This drawing is not a specification. Order against product code only. To enable continuous improvement of our products, the designs and specifications are subject to change without notice.

FIBRELITE 
PART OF OPW A  COMPANY



Dispenser sump to fit Gilbarco/China Model: JT1200GB (2- product, 2-hose, 4-display pump, suction, Endeavor

For reference purposes only. This drawing is not a specification. Order against product code only. To enable continuous improvement of our products, the designs and specifications are subject to change without notice.

FIBRELITE 
PART OF OPW A DOVER COMPANY