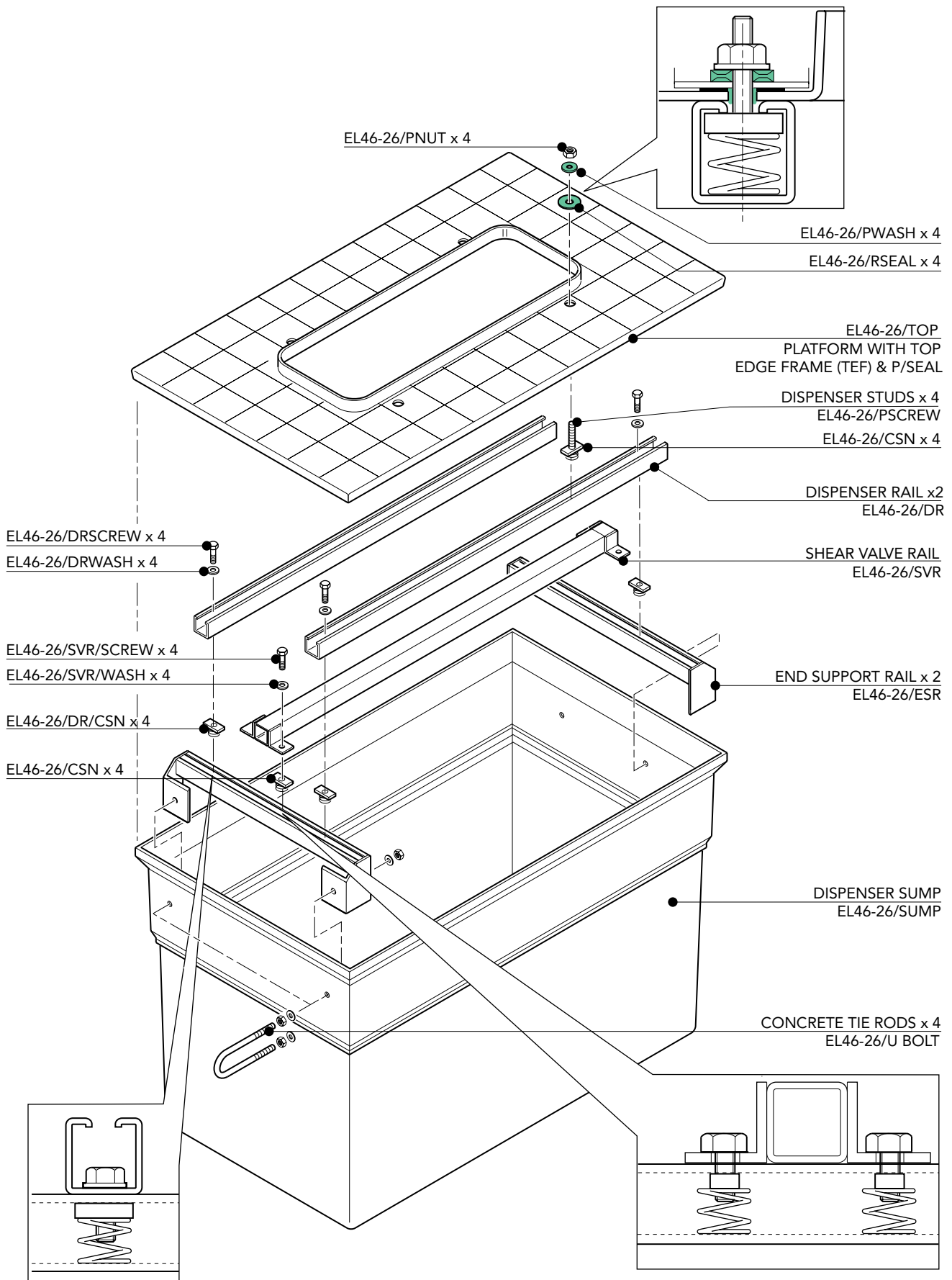


Excel testable dispenser sump. (Single Wall) 46" x 26" x 30" deep.  
 Optional shear valve rail for pressure systems.

For reference purposes only. This drawing is not a specification. Order against product code only. To enable continuous improvement of our products, the designs and specifications are subject to change without notice.

**FIBRELITE**   
 PART OF OPW A DOVER COMPANY



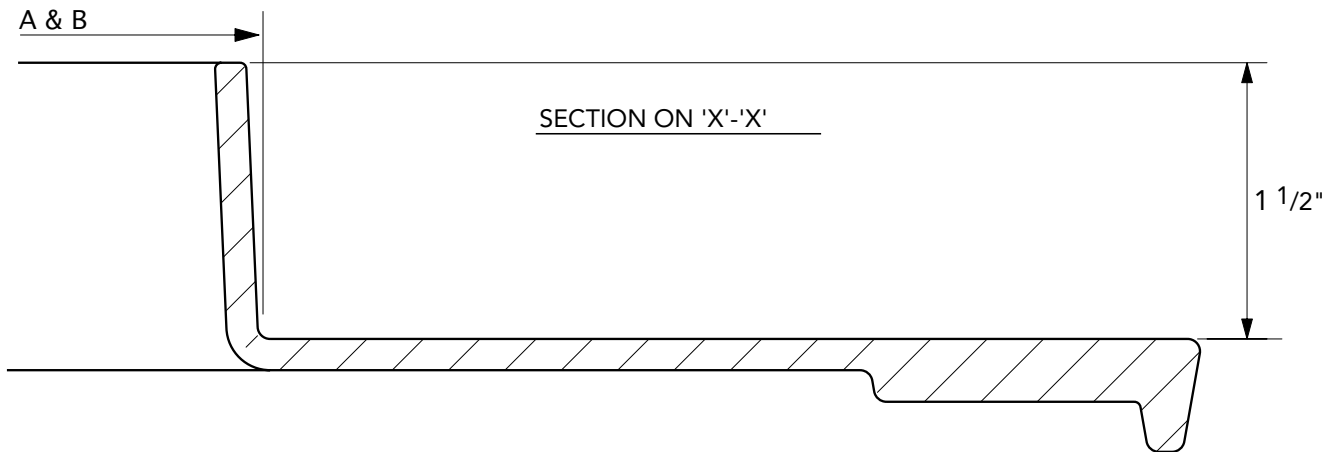
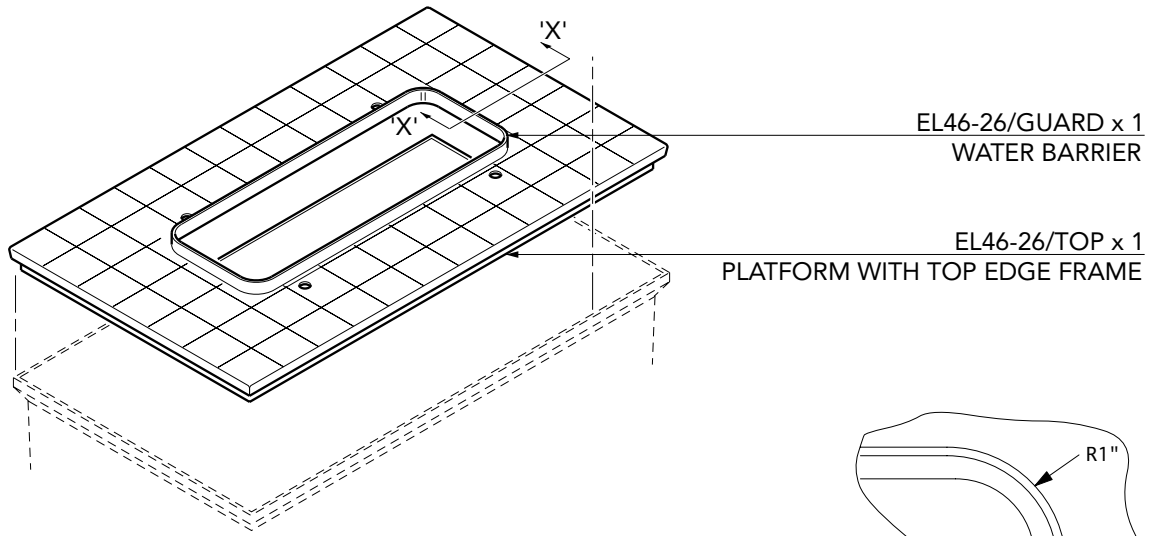
Excel testable dispenser sump. (Single Wall) 46" x 26" x 30" deep.  
Optional shear valve rail for pressure systems.

**26028**

For reference purposes only. This drawing is not a specification. Order against product code only. To enable continuous improvement of our products, the designs and specifications are subject to change without notice.

**FIBRELITE**   
PART OF OPW A DOWDER COMPANY





ITEM	DISPENSER SUMP TYPE	'A' - Length	'B' - Width
1	TOKHEIM 400 SERIES	40 1/2"	17 1/4"
2	TOKHEIM 300 SERIES	25 7/8"	17 1/4"
3	GILBARCO (ENCORE)	36"	17 1/8"
4	GILBARCO (1642 ADVANTAGE)	41 1/4"	15 1/2"
5	GILBARCO (MPD 3)	35 1/2"	9 1/2"
6	DRESSER WAYNE (390, 395, 490, 595)	41 1/2"	11"
7	GASBOY 9152/3Q TWI	22 3/4"	12 1/2"
8	DRESSER WAYNE OVATION	42 1/2"	14 5/8"

Excel testable dispenser sump. (Single Wall) 46" x 26" x 30" deep.  
Optional shear valve rail for pressure systems.

For reference purposes only. This drawing is not a specification. Order against product code only. To enable continuous improvement of our products, the designs and specifications are subject to change without notice.

**FIBRELITE**   
PART OF OPW A DOVER COMPANY