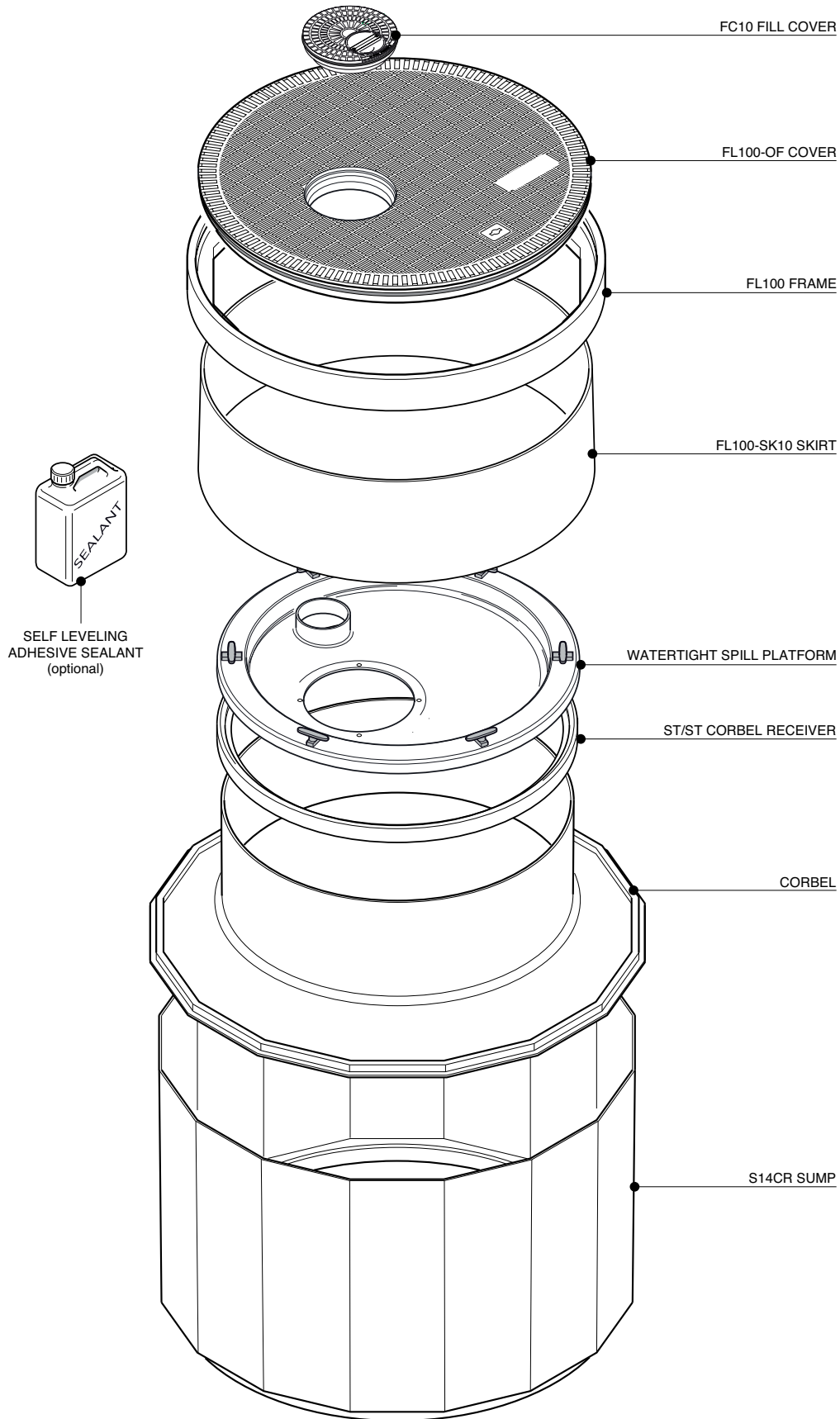


52" diameter x 33" deep sump base to fit 48" tank collar ring, corbel and watertight spill platform for a single 5-gallon spill bucket. 40" diameter offset fill cover, frame and skirt.

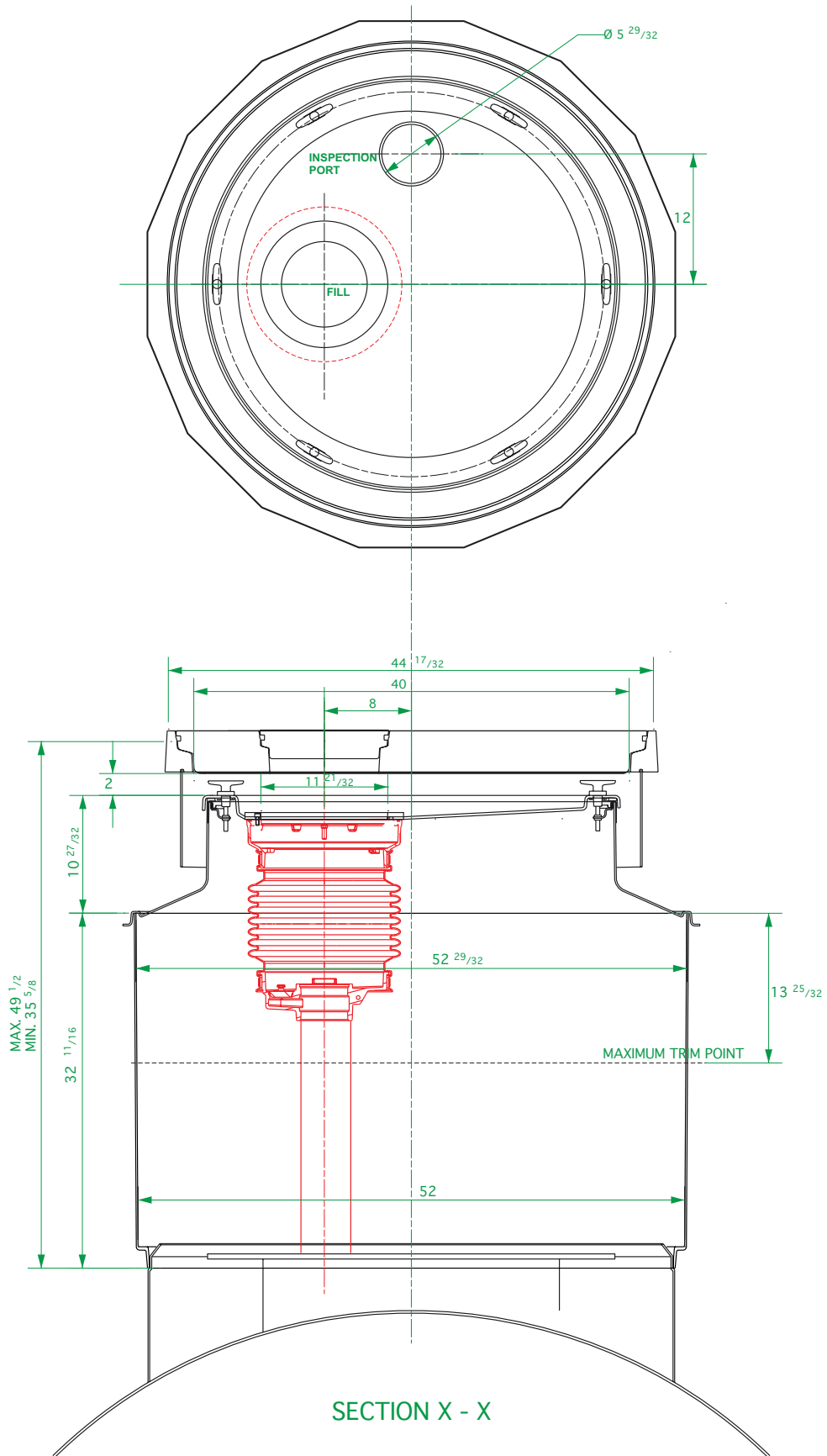
For reference purposes only. This drawing is not a specification. Order against product code only. To enable continuous improvement of our products, the designs and specifications are subject to change without notice.



52" diameter x 33" deep sump base to fit 48" tank collar ring, corbel and watertight spill platform for a single 5-gallon spill bucket. 40" diameter offset fill cover, frame and skirt.

For reference purposes only. This drawing is not a specification. Order against product code only. To enable continuous improvement of our products, the designs and specifications are subject to change without notice.





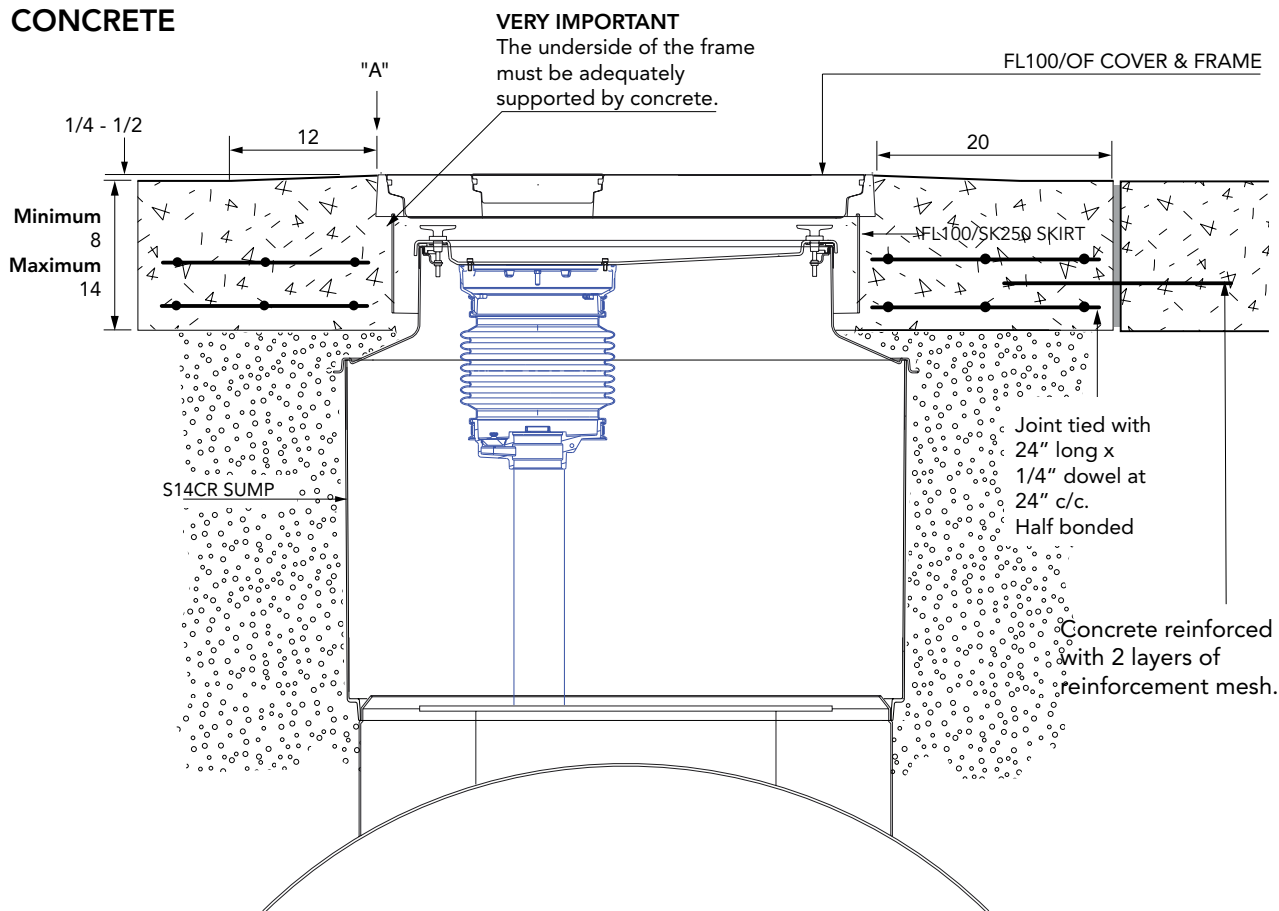
52" diameter x 33" deep sump base to fit 48" tank collar ring, corbel and watertight spill platform for a single 5-gallon spill bucket. 40" diameter offset fill cover, frame and skirt.

For reference purposes only. This drawing is not a specification. Order against product code only. To enable continuous improvement of our products, the designs and specifications are subject to change without notice.

FIBRELITE 
PART OF OPW A DOVER COMPANY

TYPICAL INSTALLATION

CONCRETE



VERY IMPORTANT
The underside of the frame must be adequately supported by concrete.

FL100/OF COVER & FRAME

1/4 - 1/2
Minimum 8
Maximum 14

"A"

12

20

FL100/SK250 SKIRT

S14CR SUMP

Joint tied with 24" long x 1/4" long x 1/4" c/c. Half bonded

Concrete reinforced with 2 layers of reinforcement mesh.

BLACKTOP CONCRETE PEA GRAVEL

VERY IMPORTANT
OUTER EDGE "A" OF FRAME SET 1/4 - 1/2" ABOVE GENERAL GRADE AREA WITH CONCRETE RAMPED AWAY OVER 12".