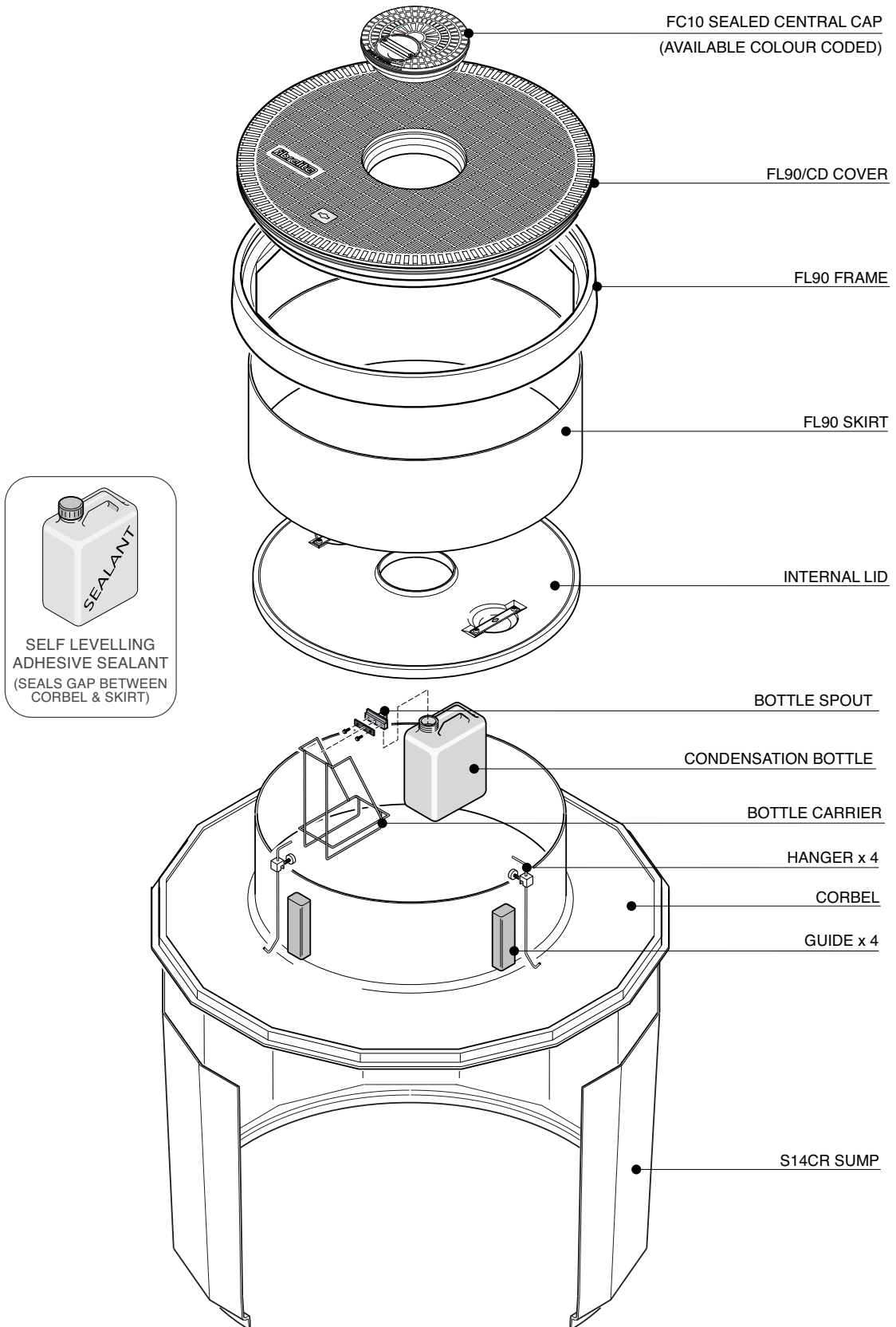


52" diameter sump to fit 48" collar ring, with corbel, internal lid, adjustable skirt and round 36" flat sealed cover, corbel/skirt.

For reference purposes only. This drawing is not a specification. Order against product code only. To enable continuous improvement of our products, the designs and specifications are subject to change without notice.

FIBRELITE 
PART OF OPW A DOVER COMPANY



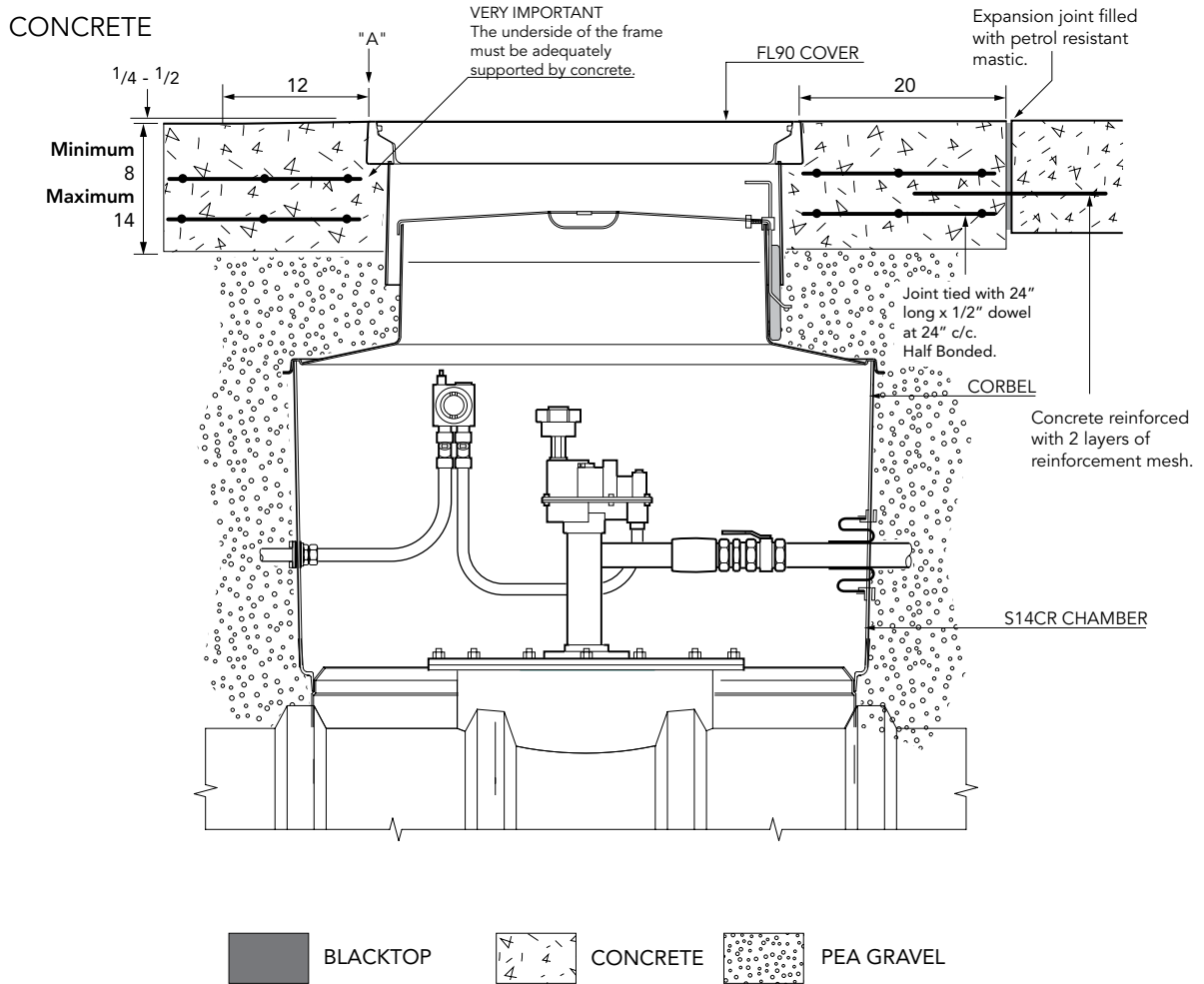
52" diameter sump to fit 48" collar ring, with corbel, internal lid, adjustable skirt and round 36" flat sealed cover, corbel/skirt.

For reference purposes only. This drawing is not a specification. Order against product code only. To enable continuous improvement of our products, the designs and specifications are subject to change without notice.

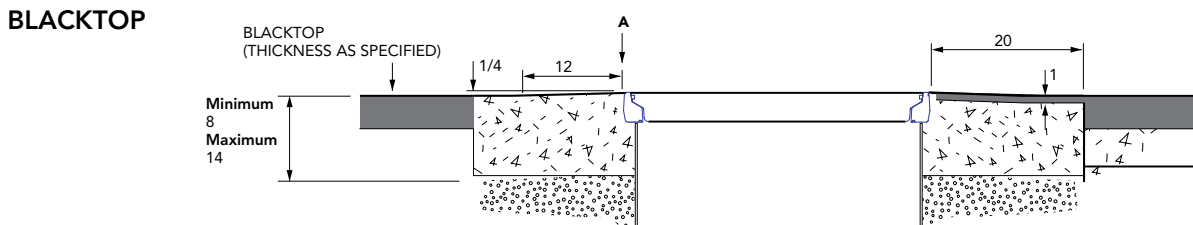
FIBRELITE 
PART OF OPW A DOWDER COMPANY

VERY IMPORTANT
OUTER EDGE "A" OF FRAME SET 1/4 - 1/2"
ABOVE GENERAL GRADE AREA WITH
CONCRETE RAMPED AWAY OVER 12".

TYPICAL INSTALLATION



ALTERNATIVE INSTALLATION ADVICE

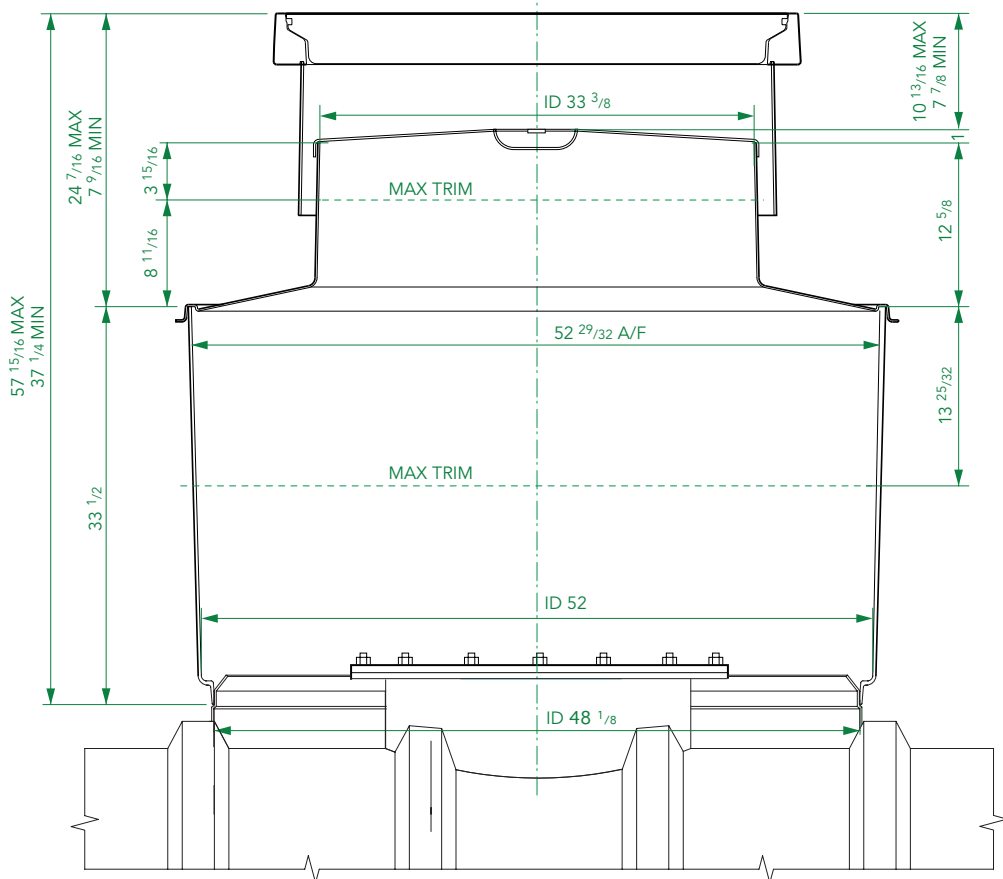
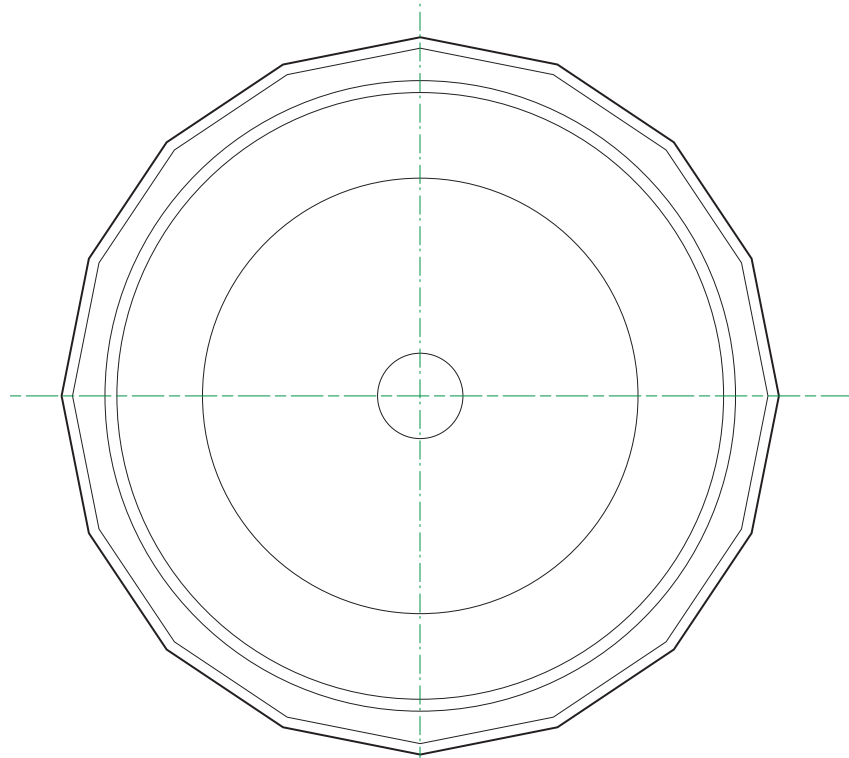


52" diameter sump to fit 48" collar ring, with corbel, internal lid, adjustable skirt and round 36" flat sealed cover, corbel/skirt.

For reference purposes only. This drawing is not a specification. Order against product code only. To enable continuous improvement of our products, the designs and specifications are subject to change without notice.

FIBRELITE

PART OF OPW A DOVER COMPANY



52" diameter sump to fit 48" collar ring, with corbel, internal lid, adjustable skirt and round 36" flat sealed cover, corbel/skirt.

For reference purposes only. This drawing is not a specification. Order against product code only. To enable continuous improvement of our products, the designs and specifications are subject to change without notice.

FIBRELITE 
 PART OF OPW A DOVER COMPANY