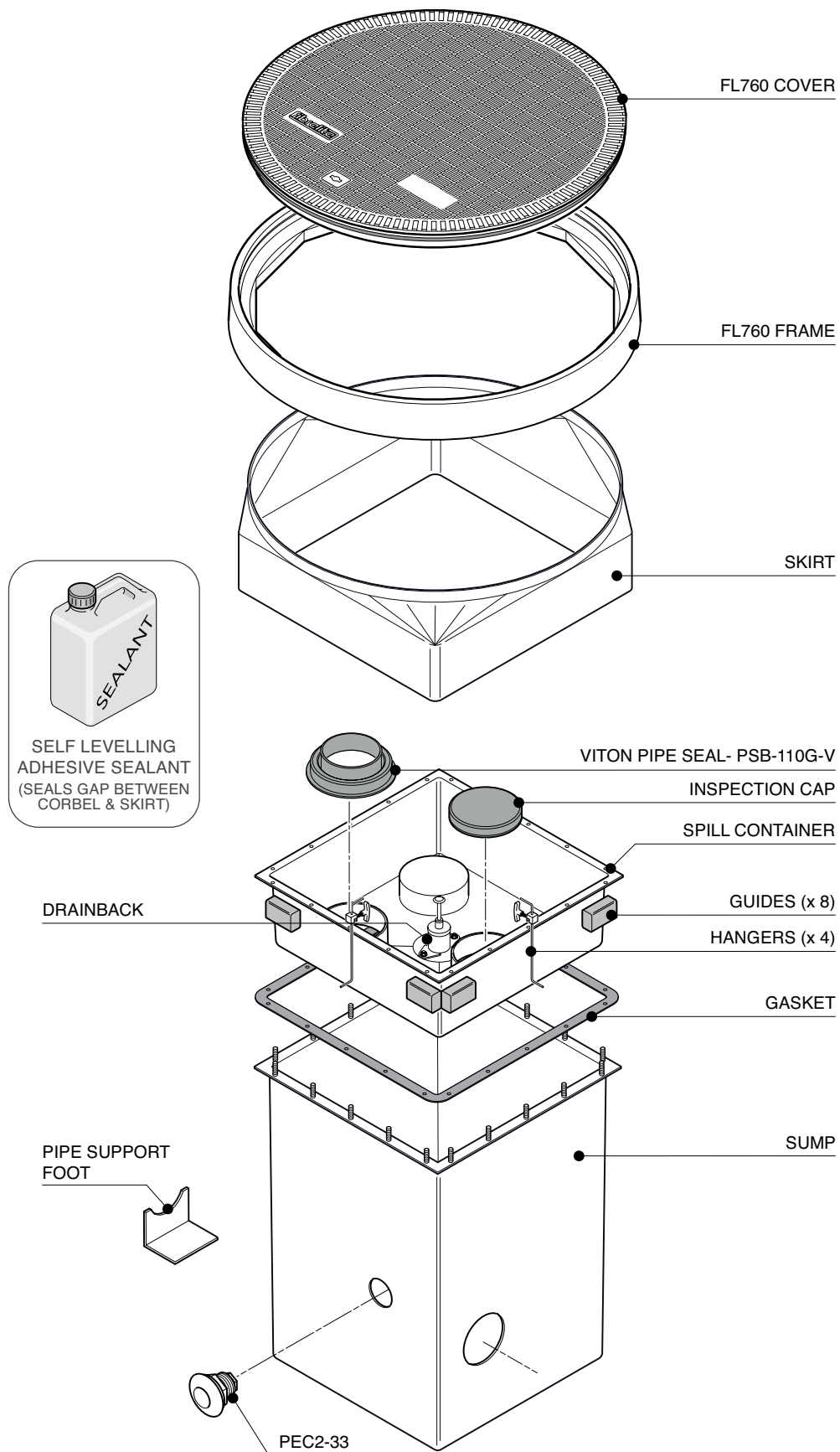


19 9/32" square x 30 5/16" deep offset fill chamber system with adjustable skirt, spill container with integrated drainback, 1/2 tin of sealant and FL760 flat sealed cover with composite frame. Includes inspection port cap, pipe entry and penetration fitting for grounding connection. Includes preinstalled KPS pipework for 1 fill.

For reference purposes only. This drawing is not a specification. Order against product code only. To enable continuous improvement of our products, the designs and specifications are subject to change without notice.



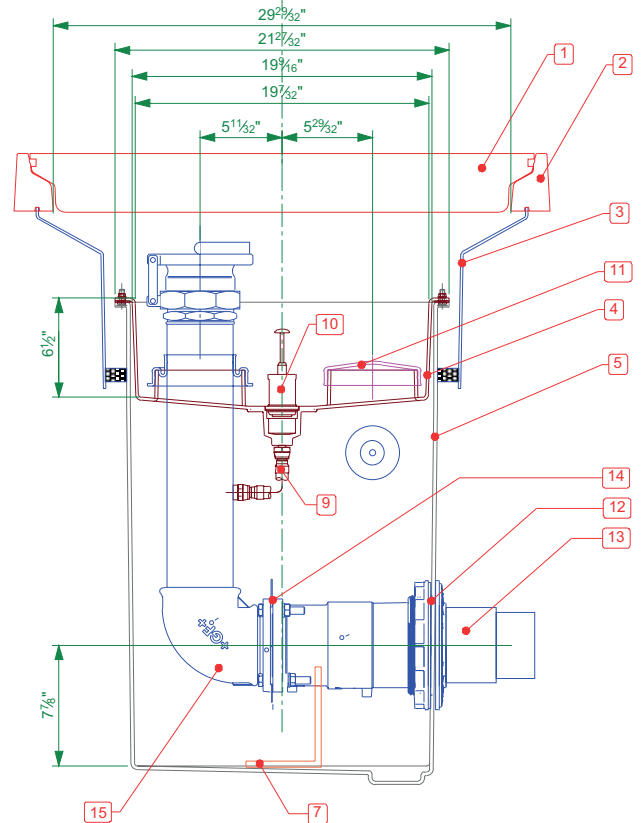
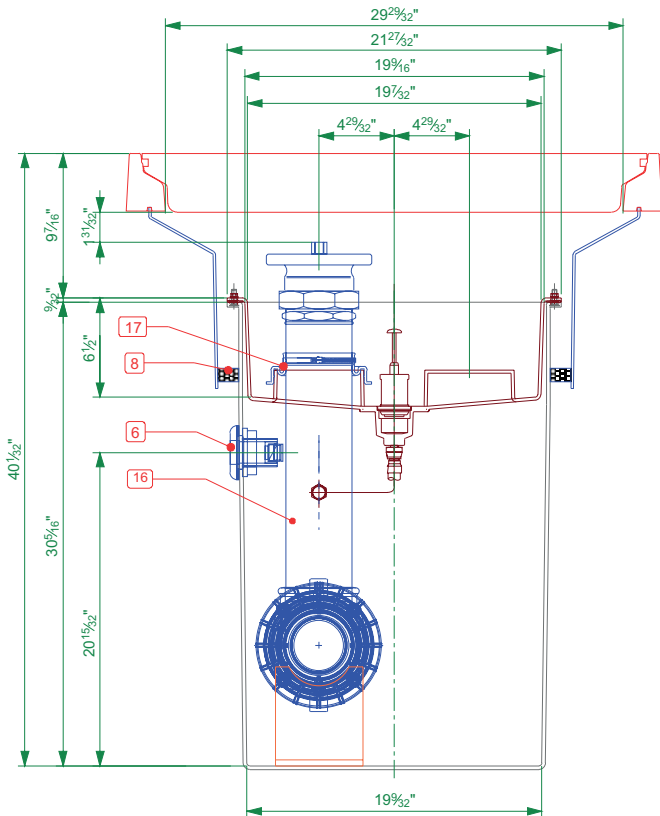
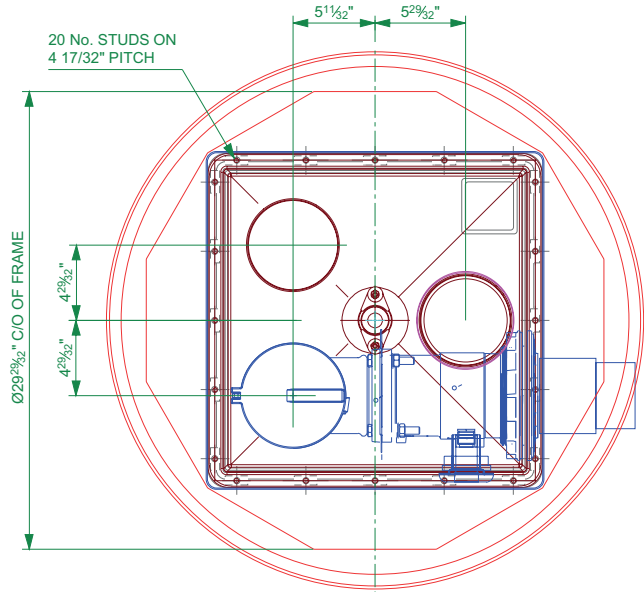
19 9/32" square x 30 5/16" deep offset fill chamber system with adjustable skirt, spill container with integrated drainback, 1/2 tin of sealant and FL760 flat sealed cover with composite frame. Includes inspection port cap, pipe entry and penetration fitting for grounding connection. Includes preinstalled KPS pipework for 1 fill.

For reference purposes only. This drawing is not a specification. Order against product code only. To enable continuous improvement of our products, the designs and specifications are subject to change without notice.

**FIBRELITE**   
PART OF OPW A DOVER COMPANY

ITEM	DESCRIPTION	CODE	QTY
1	Fibrelite FL760 Cover	FL760C	1
2	Fibrelite FL760 Frame	FL760F	1
3	Fibrelite 10 5/8" Deep Skirt	FL760-SK300-OF	1
4	Fibrelite Spill Container with Integrated Drain Back Valve	S2-SC-760-ROW	1
5	Fibrelite 19 9/32" x 30 5/16" Sump	S2-OFB-760D	1
6	Fibrelite Grounding Cable Seal	PEG-2-33	1
7	Fibrelite Pipe Support	PSF	1
8	Fibrelite Self-levelling Seal	S-CS-SEALANT	1
9	Drainback Hose Kit (Flexible Drain Back Hose, 1/2" BSPT Male x Male Cone Faced Adaptor, 1/2" BSP 1/2 Socket)	--	1
10	Drain Back Valve	--	1
11	Inspection Cap	--	1

ITEM	DESCRIPTION - 4" FILL	QTY
12	KPTM125 / 110SCOI Secondary Contained Sump Entry Fitting	1
13	KPS 125 / 110 Secondary Container Pipe	1
14	KPC12 110 / Flange Kit	1
15	KP 90/100 4" Elbow	1
16	4GI Pipe / 4" Barrel Nipple	1
17	Fibrelite PSB-110G-V Viton Entry Boot - PSB-110-G-V	1



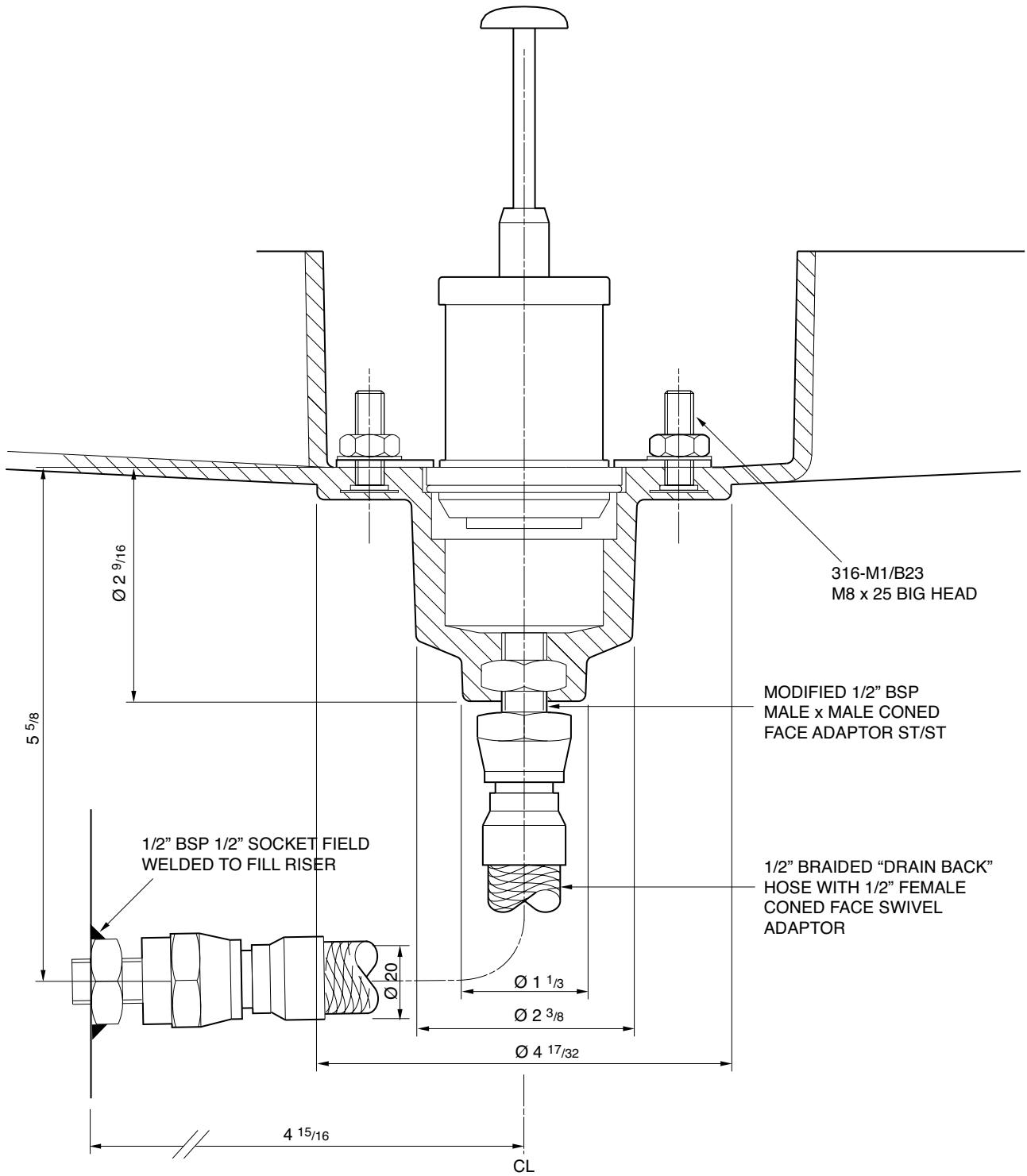
**NOTES:**

- SUPPLIED WITH 4 No. HANGERS AND 8 No. FOAM GUIDES
- DRAIN BACK SEALING OFF KIT AVAILABLE FOR NON-DRAINBACK VERSIONS
- SPILL CONTAINMENT CAPACITY = 35 Litres / 9.25 US GALL

19 9/32" square x 30 5/16" deep offset fill chamber system with adjustable skirt, spill container with integrated drainback, 1/2 tin of sealant and FL760 flat sealed cover with composite frame. Includes inspection port cap, pipe entry and penetration fitting for grounding connection. Includes preinstalled KPS pipework for 1 fill.

For reference purposes only. This drawing is not a specification. Order against product code only. To enable continuous improvement of our products, the designs and specifications are subject to change without notice.

**FIBRELITE**   
PART OF OPW A DOVER COMPANY

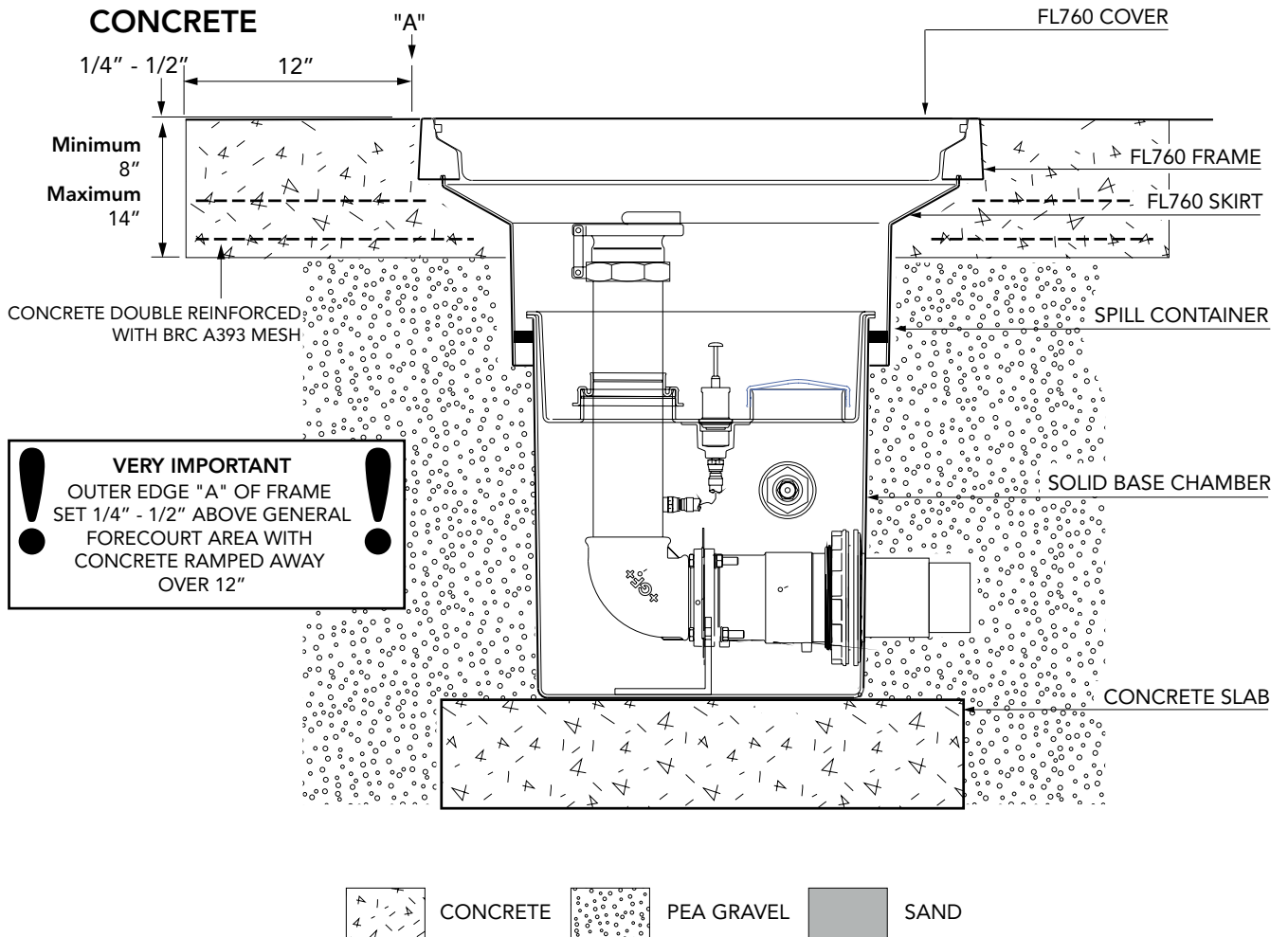


19 9/32" square x 30 5/16" deep offset fill chamber system with adjustable skirt, spill container with integrated drainback, 1/2 tin of sealant and FL760 flat sealed cover with composite frame. Includes inspection port cap, pipe entry and penetration fitting for grounding connection. Includes preinstalled KPS pipework for 1 fill.

For reference purposes only. This drawing is not a specification. Order against product code only. To enable continuous improvement of our products, the designs and specifications are subject to change without notice.

**FIBRELITE**   
PART OF OPW A DOVER COMPANY

## TYPICAL INSTALLATION



## ALTERNATIVE INSTALLATION ADVICE

### SETTS

