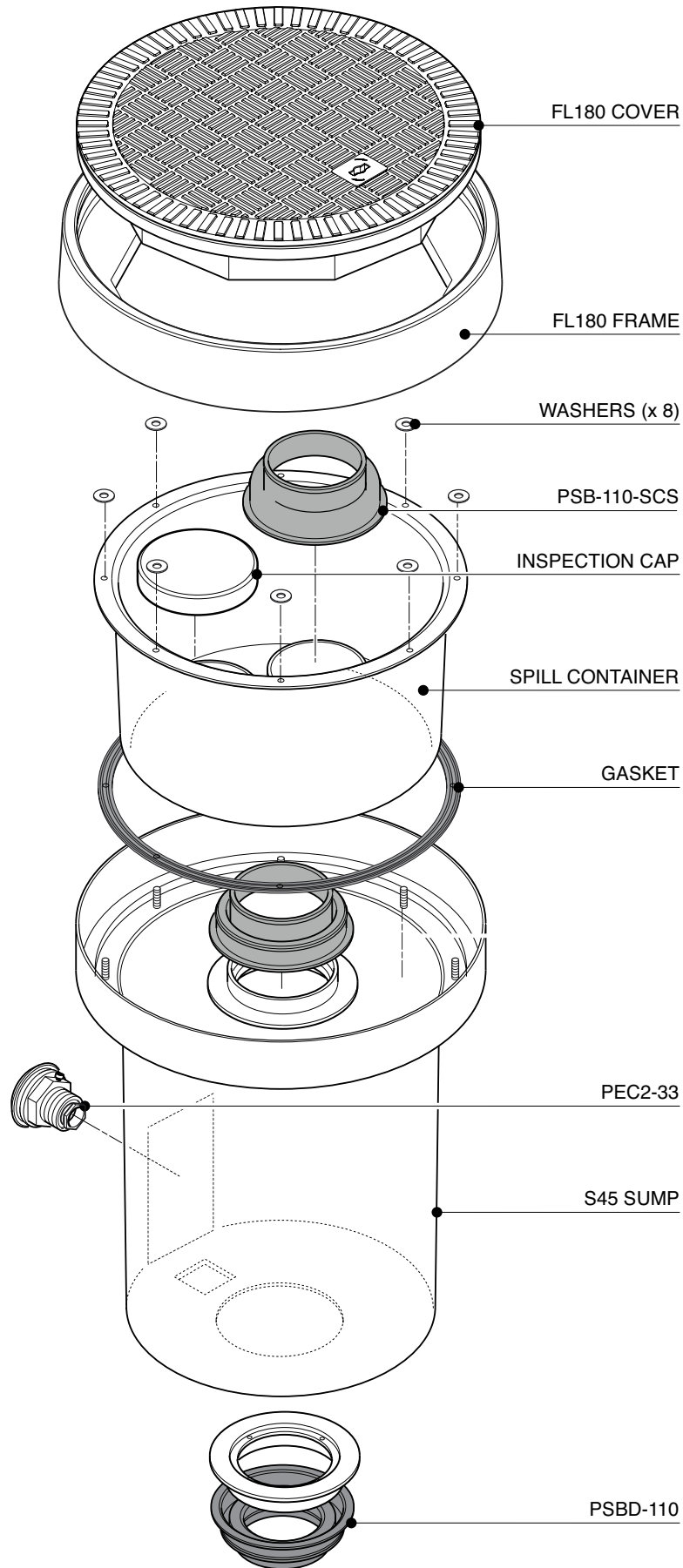


Secondary Contained Direct Fill Sump 15 5/32" dia. x 21 21/32" deep solid base sump, with a sealed secondary spill container and integrated drainback valve system. 17 23/32" dia. flat sealed cover and frame. Includes PSB/110-SCS 4 11/32" dia fill pipe sealkit and grounding cable sealkit. Direct Fill not suitable for stage 1 co-axial vapour recovery.

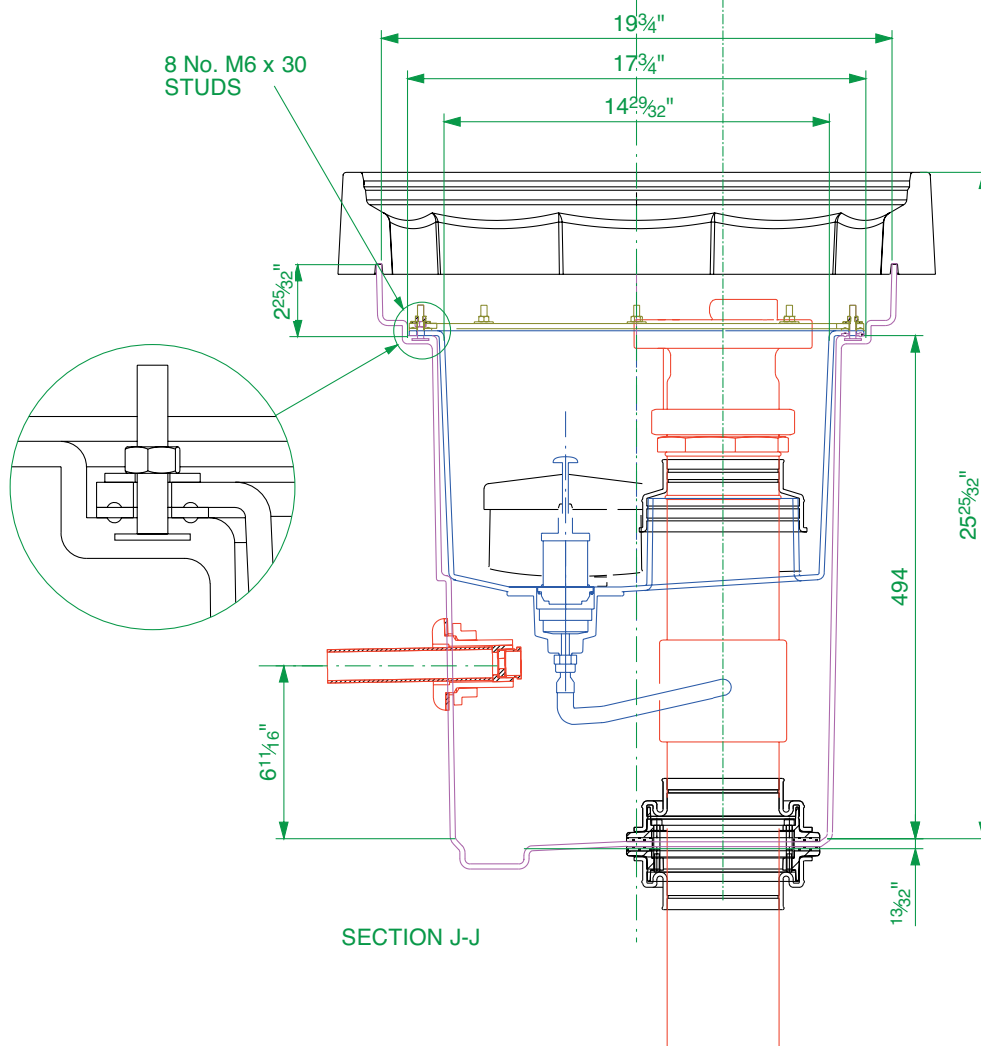
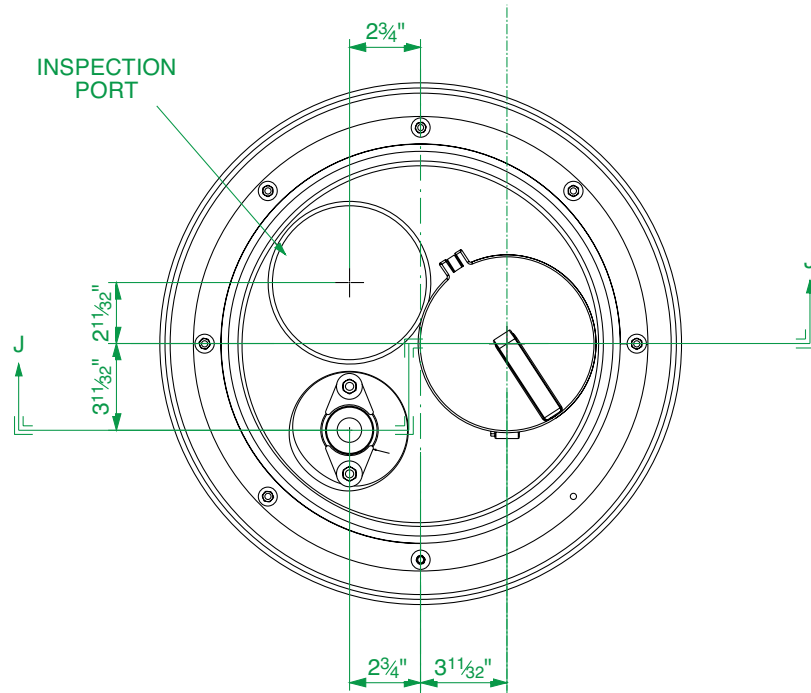
For reference purposes only. This drawing is not a specification. Order against product code only. To enable continuous improvement of our products, the designs and specifications are subject to change without notice.



Secondary Contained Direct Fill Sump 15 5/32" dia. x 21 21/32" deep solid base sump, with a sealed secondary spill container and integrated drainback valve system. 17 23/32" dia. flat sealed cover and frame. Includes PSB/110-SCS 4 11/32" dia fill pipe sealkit and grounding cable sealkit. Direct Fill not suitable for stage 1 co-axial vapour recovery.

For reference purposes only. This drawing is not a specification. Order against product code only. To enable continuous improvement of our products, the designs and specifications are subject to change without notice.

FIBRELITE 
PART OF OPW A DOVER COMPANY



Secondary Contained Direct Fill Sump 15 5/32" dia. x 21 21/32" deep solid base sump, with a sealed secondary spill container and integrated drainback valve system. 17 23/32" dia. flat sealed cover and frame. Includes PSB/110-SCS 4 11/32" dia fill pipe sealkit and grounding cable sealkit. Direct Fill not suitable for stage 1 co-axial vapour recovery.

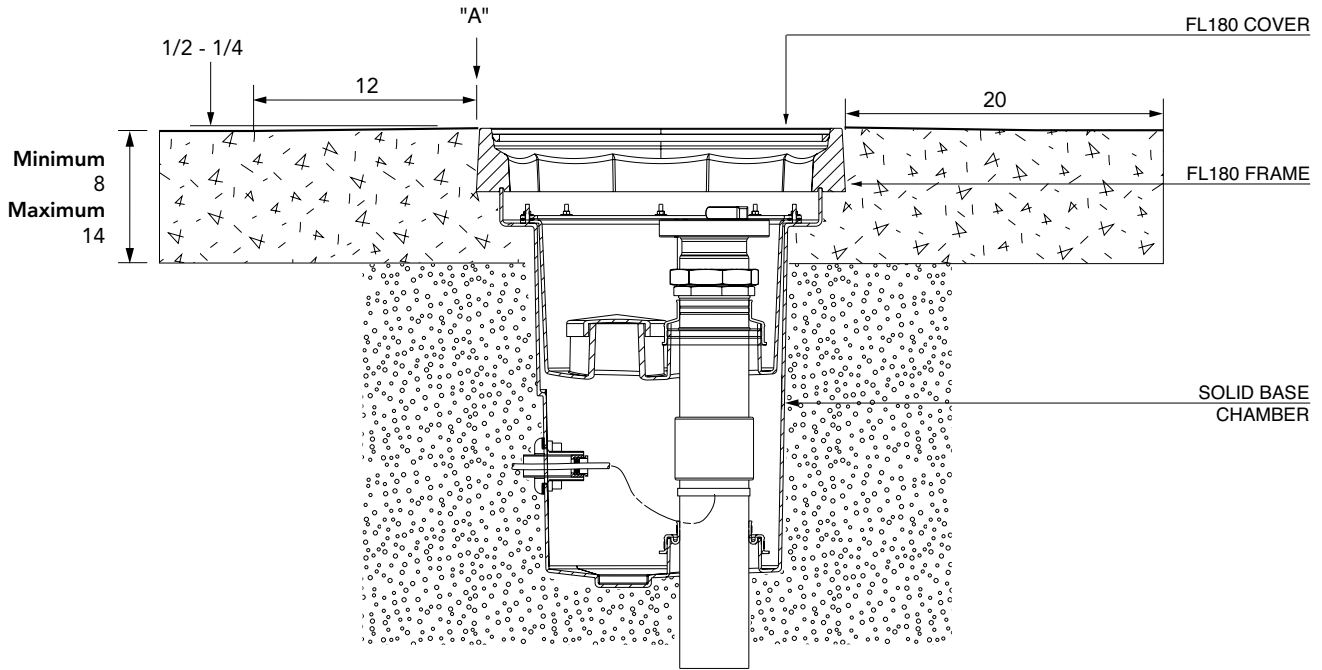
For reference purposes only. This drawing is not a specification. Order against product code only. To enable continuous improvement of our products, the designs and specifications are subject to change without notice.

FIBRELITE 
PART OF OPW A DOVER COMPANY

TYPICAL INSTALLATION

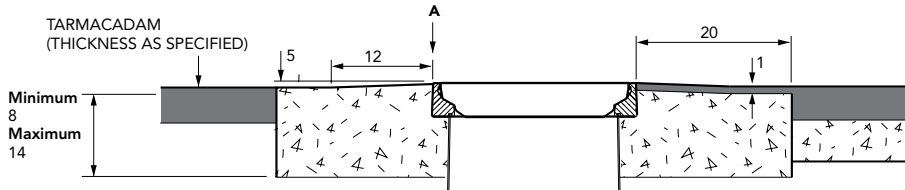
CONCRETE

VERY IMPORTANT
 OUTER EDGE "A" OF FRAME SET 1/4 - 1/2"
 ABOVE GENERAL FORECOURT AREA WITH
 CONCRETE RAMPED AWAY OVER 12".

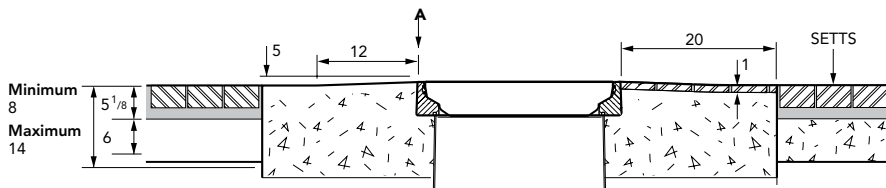


ALTERNATIVE INSTALLATION ADVICE

TARMACADAM



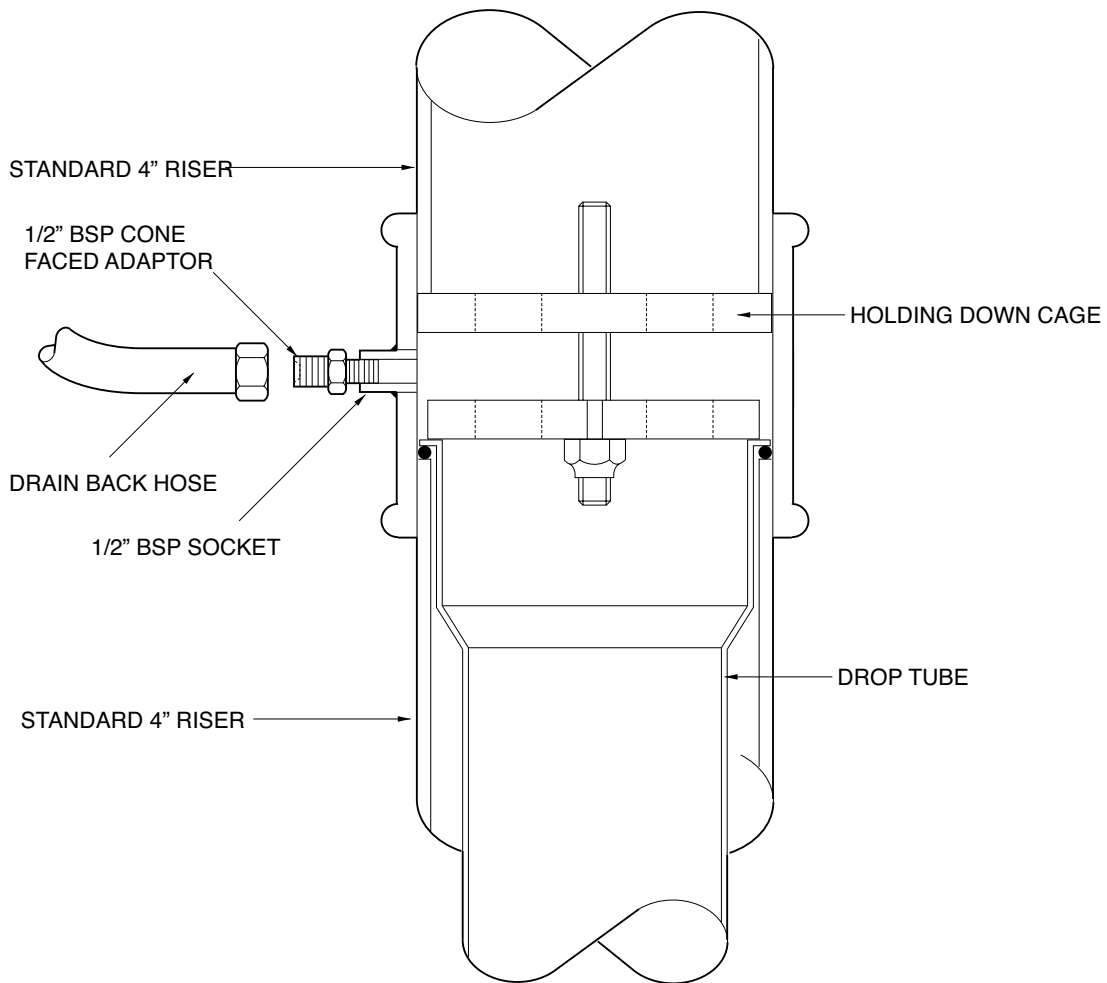
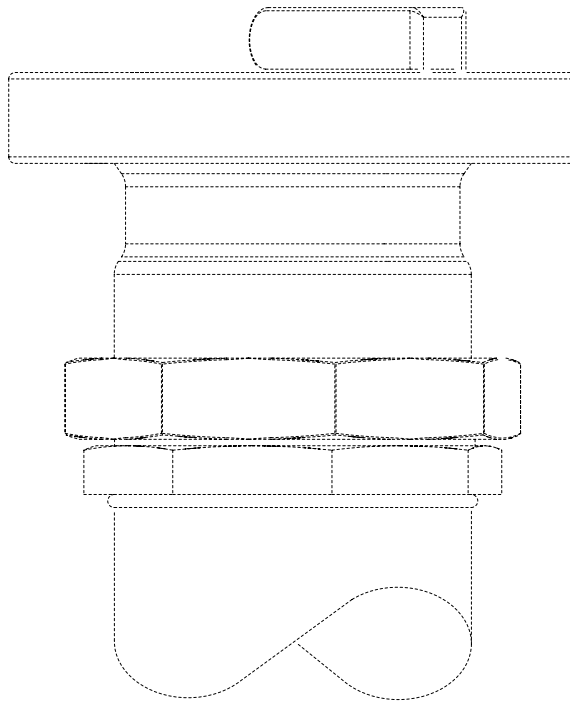
SETTS



Secondary Contained Direct Fill Sump 15 5/32" dia. x 21 21/32" deep solid base sump, with a sealed secondary spill container and integrated drainback valve system. 17 23/32" dia. flat sealed cover and frame. Includes PSB/110-SCS 4 11/32" dia fill pipe sealkit and grounding cable sealkit. Direct Fill not suitable for stage 1 co-axial vapour recovery.

For reference purposes only. This drawing is not a specification. Order against product code only. To enable continuous improvement of our products, the designs and specifications are subject to change without notice.





Secondary Contained Direct Fill Sump 15 5/32" dia. x 21 21/32" deep solid base sump, with a sealed secondary spill container and integrated drainback valve system. 17 23/32" dia. flat sealed cover and frame. Includes PSB/110-SCS 4 11/32" dia fill pipe sealkit and grounding cable sealkit. Direct Fill not suitable for stage 1 co-axial vapour recovery.

For reference purposes only. This drawing is not a specification. Order against product code only. To enable continuous improvement of our products, the designs and specifications are subject to change without notice.

FIBRELITE 
PART OF OPW A DOVER COMPANY