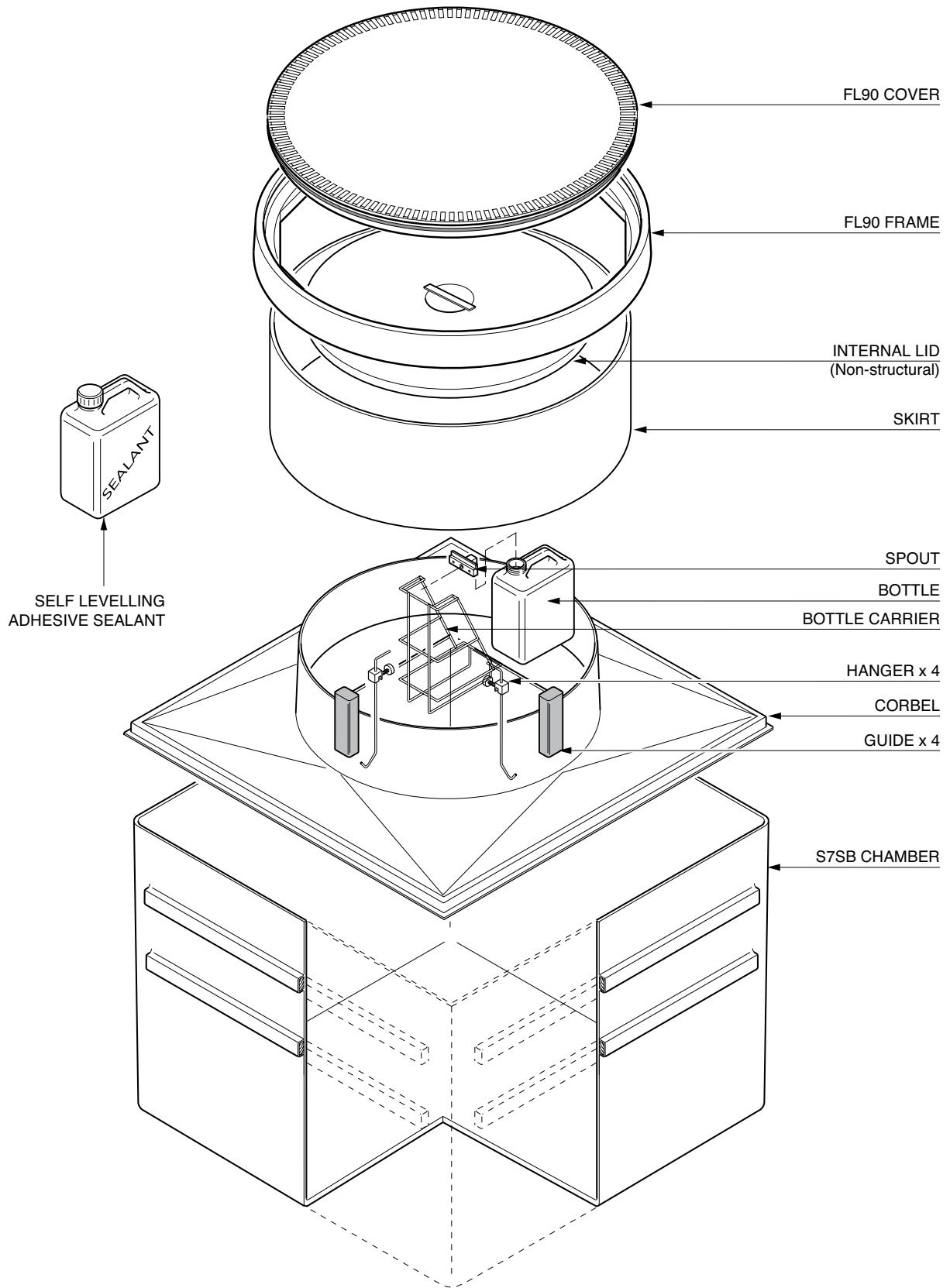


48" square solid base sump with a sealed corbel, adjustable height skirt, internal lid and 36" round flat sealed cover with frame.

For reference purposes only. This drawing is not a specification. Order against product code only. To enable continuous improvement of our products, the designs and specifications are subject to change without notice.

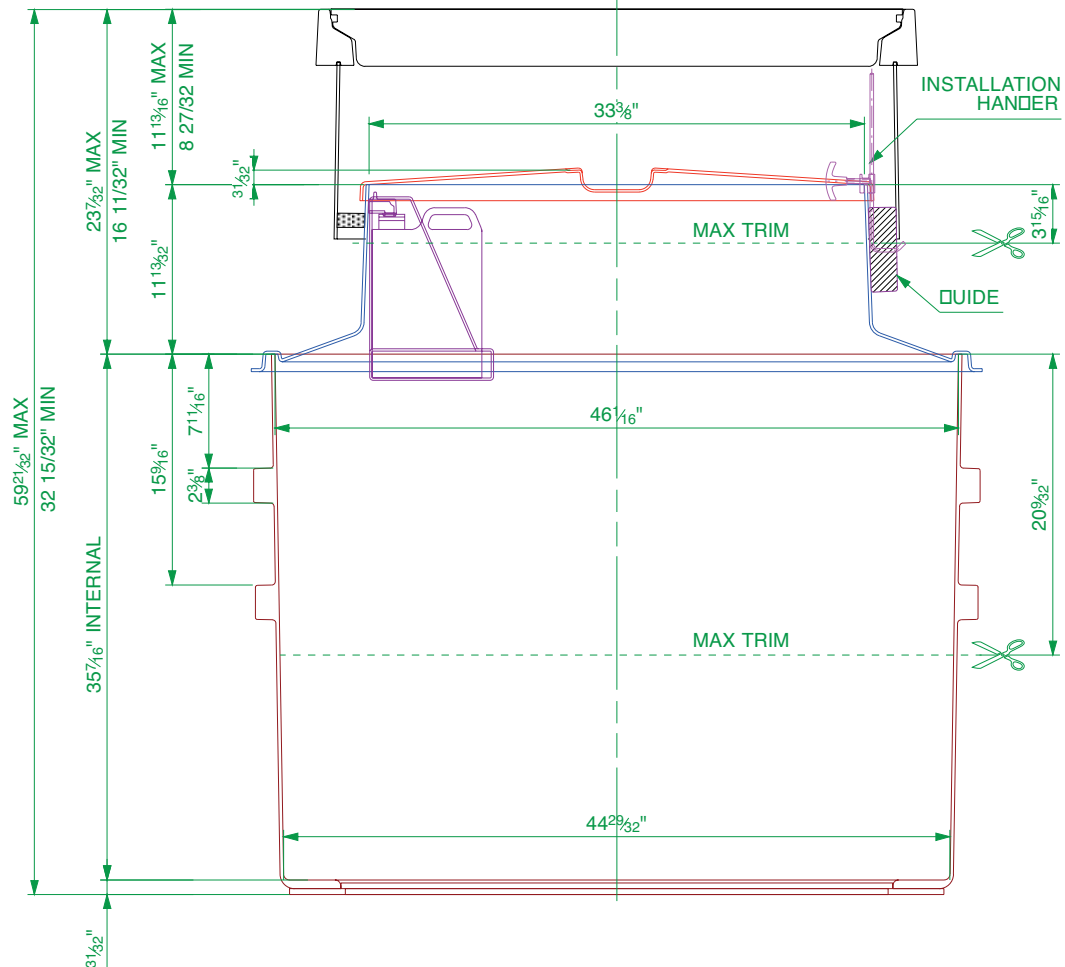
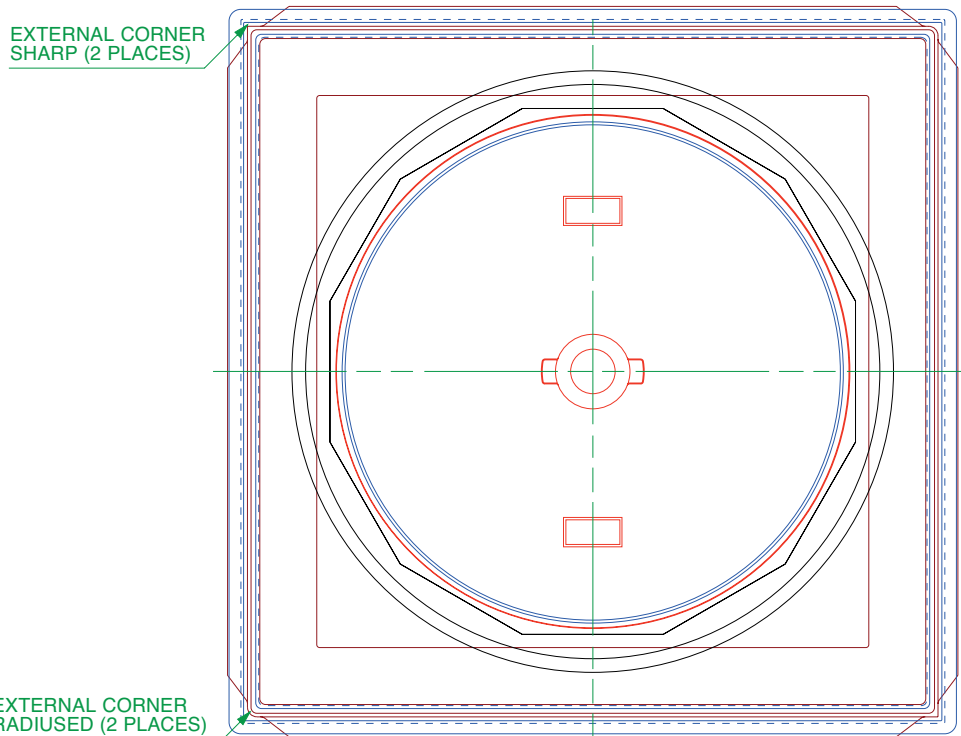
FIBRELITE 
PART OF OPW A DOVER COMPANY



48" square solid base sump with a sealed corbel, adjustable height skirt, internal lid and 36" round flat sealed cover with frame.

For reference purposes only. This drawing is not a specification. Order against product code only. To enable continuous improvement of our products, the designs and specifications are subject to change without notice.

FIBRELITE 
 PART OF OPW A DOVER COMPANY



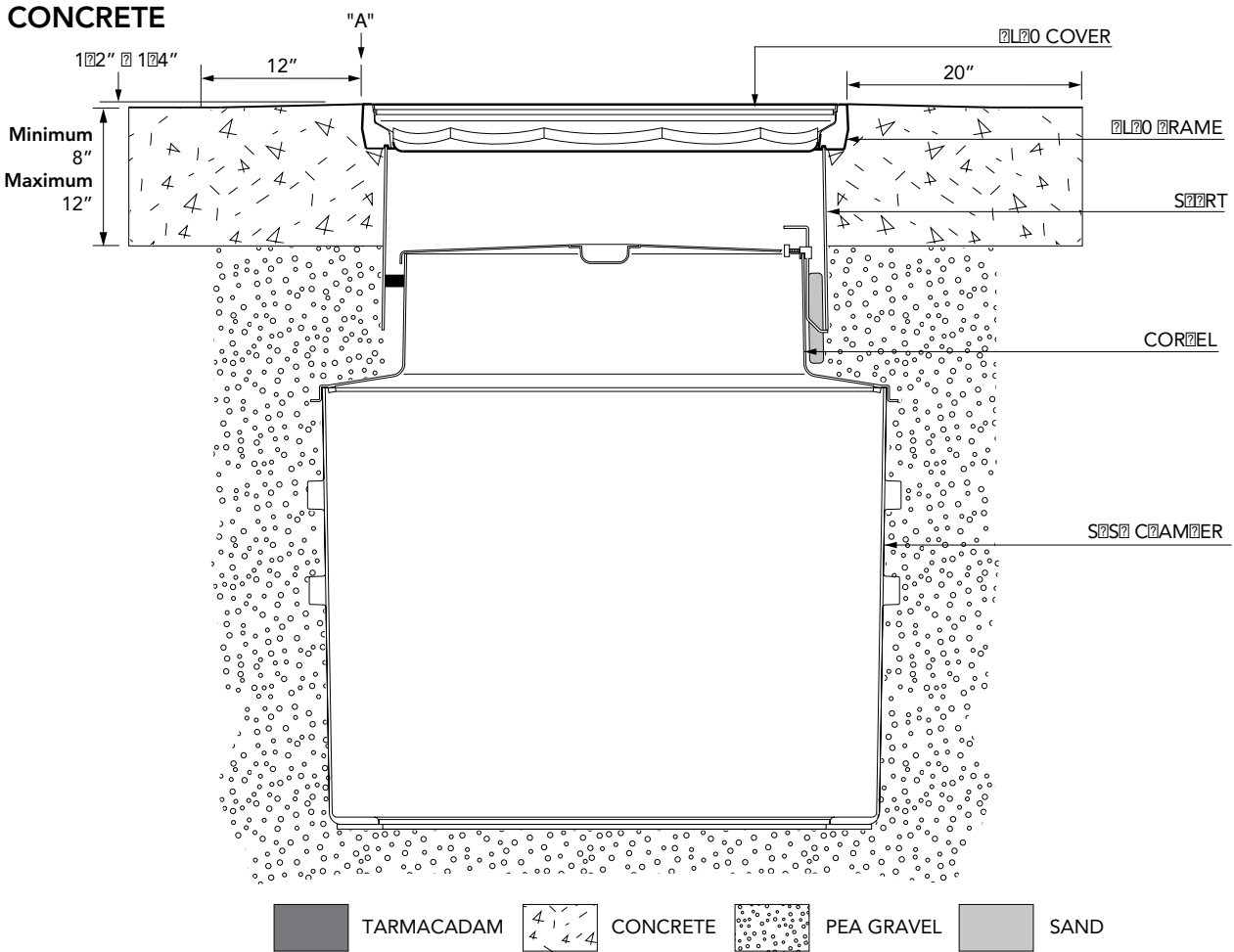
48" square solid base sump with a sealed corbel, adjustable height skirt, internal lid and 36" round flat sealed cover with frame.

For reference purposes only. This drawing is not a specification. Order against product code only. To enable continuous improvement of our products, the designs and specifications are subject to change without notice.

FIBRELITE 
PART OF OPW A DOVER COMPANY

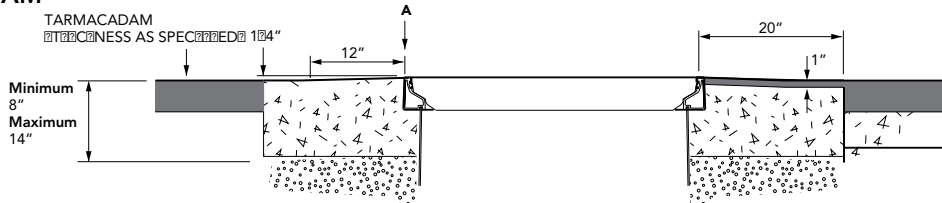
IMPORTANT
 OUTER EDGE OF FRAME SET 1/2" TO 1/4"
 ABOVE GENERAL FLOOR AREA WITH
 CONCRETE RAMPED AREA OVER 12"

TYPICAL INSTALLATION

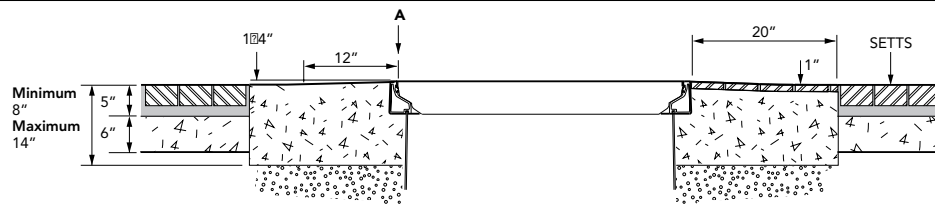


ALTERNATIVE INSTALLATION ADVICE

TARMACADAM



SETTS



48" square solid base sump with a sealed corbel, adjustable height skirt, internal lid and 36" round flat sealed cover with frame.

For reference purposes only. This drawing is not a specification. Order against product code only. To enable continuous improvement of our products, the designs and specifications are subject to change without notice.

FIBRELITE

PART OF OPW A DOVER COMPANY