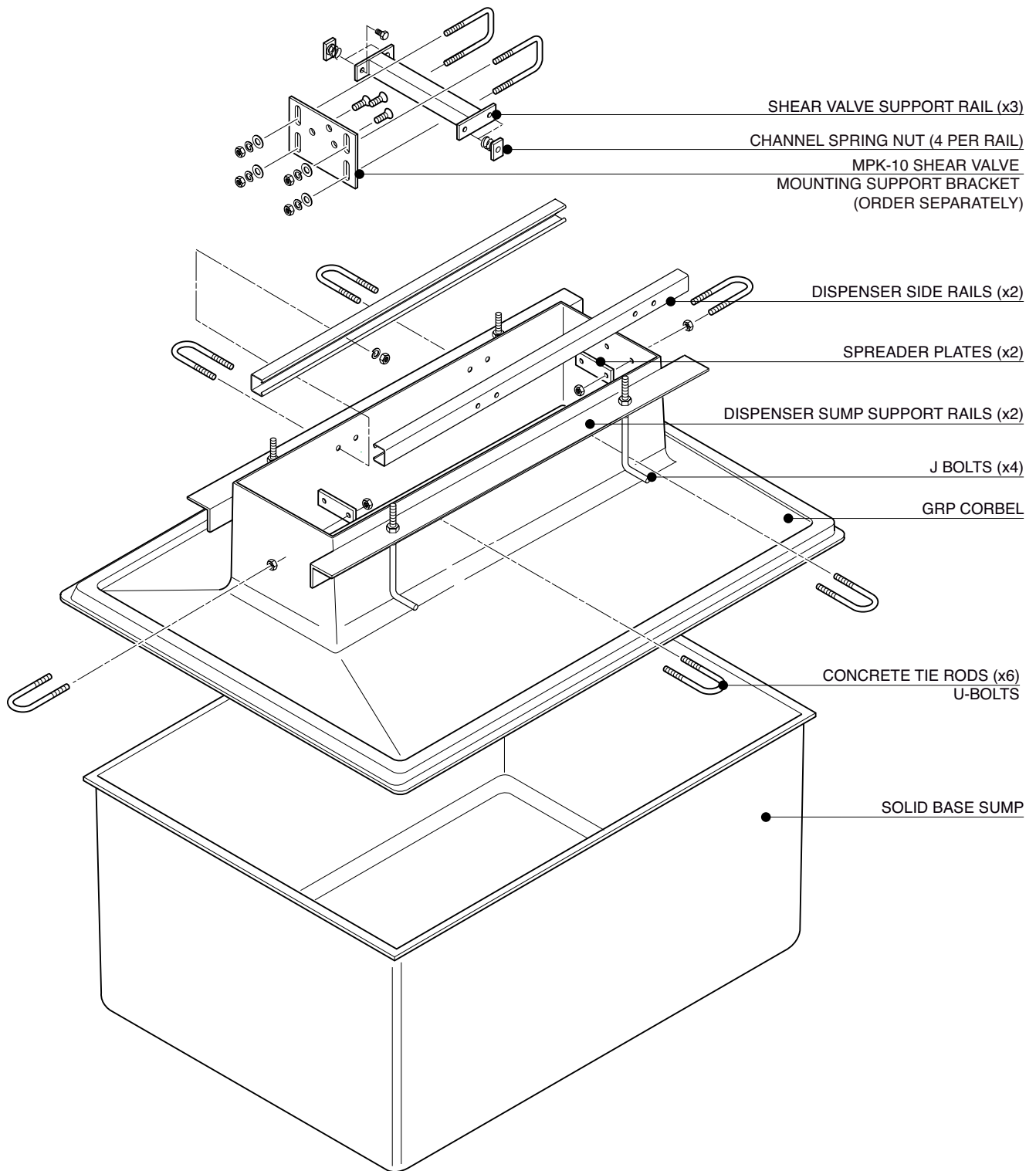


1100mm x 800mm GRP solid base sump and corbel to fit Tatsuno Salemaker 6 hose, 3 product models SM1060. Includes dispenser support framework, 6 'J' bolts, 6 concrete tie rods and 3 shear valve rails.

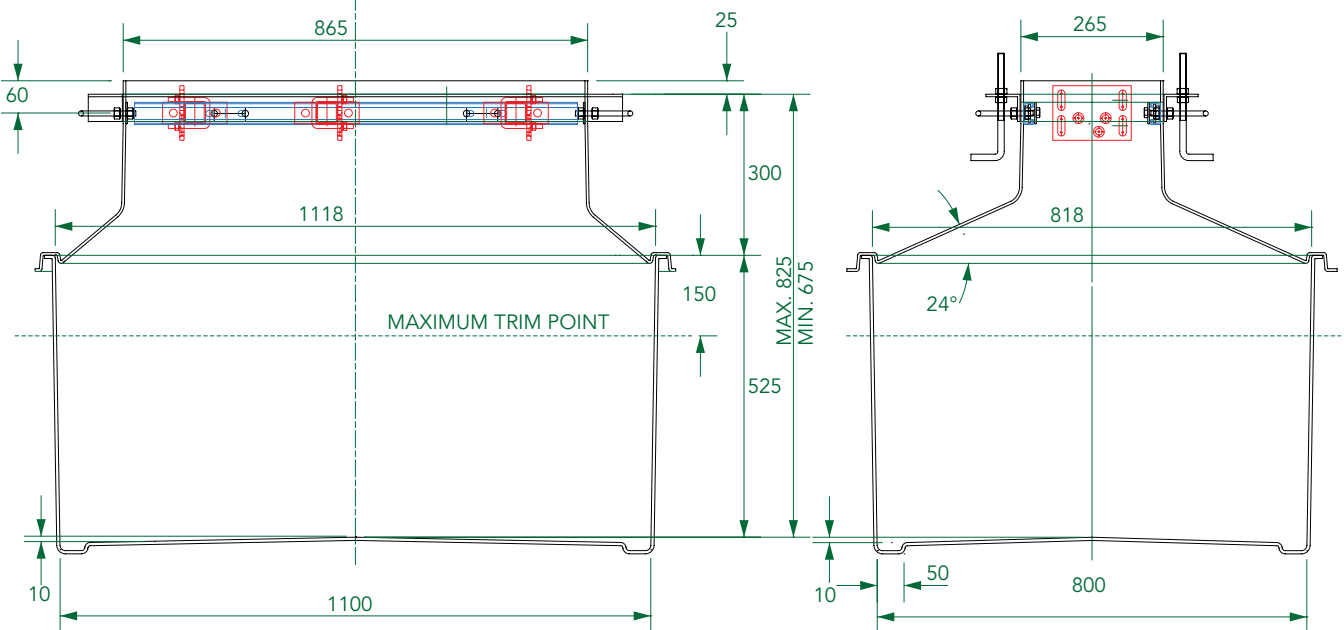
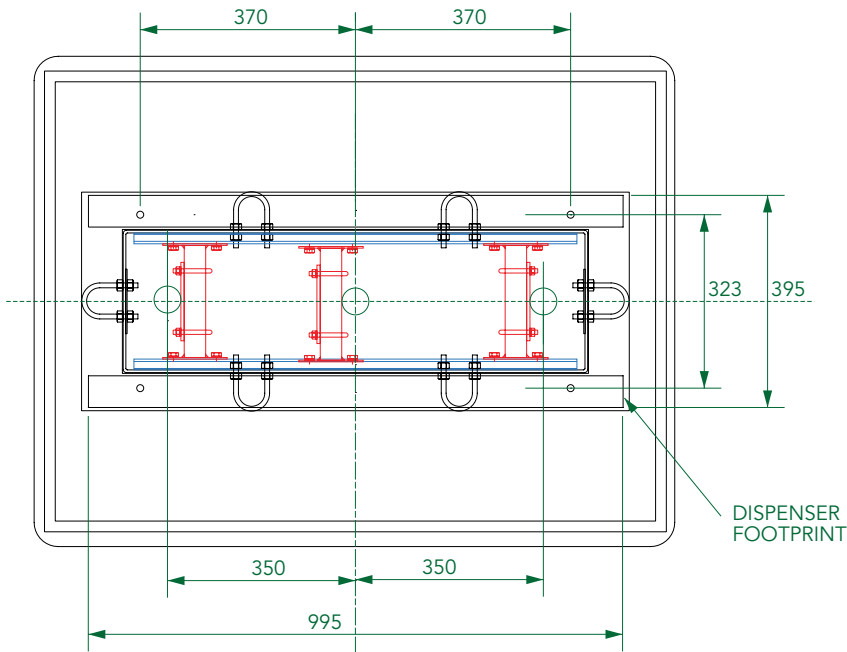
For reference purposes only. This drawing is not a specification. Order against product code only. To enable continuous improvement of our products, the designs and specifications are subject to change without notice.



1100mm x 800mm GRP solid base sump and corbel to fit Tatsuno Salemaker 6 hose, 3 product models SM1060. Includes dispenser support framework, 6 'J' bolts, 6 concrete tie rods and 3 shear valve rails.

For reference purposes only. This drawing is not a specification. Order against product code only. To enable continuous improvement of our products, the designs and specifications are subject to change without notice.

FIBRELITE 
 PART OF OPW A  COMPANY



1100mm x 800mm GRP solid base sump and corbel to fit Tatsuno Salemaker 6 hose, 3 product models SM1060. Includes dispenser support framework, 6 'J' bolts, 6 concrete tie rods and 3 shear valve rails.

For reference purposes only. This drawing is not a specification. Order against product code only. To enable continuous improvement of our products, the designs and specifications are subject to change without notice.

FIBRELITE 
PART OF OPW A DOVER COMPANY