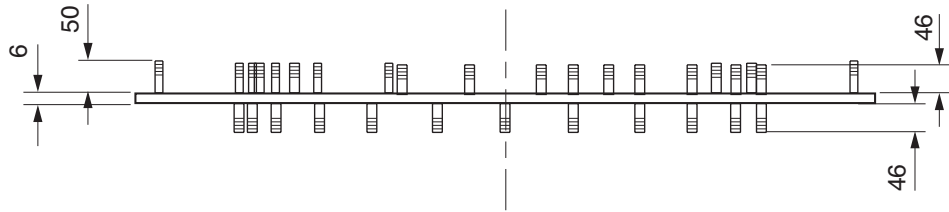


Steel adaptor plate to connect the S16SQ chamber to a round tank manway lid.  
Various sizes available.

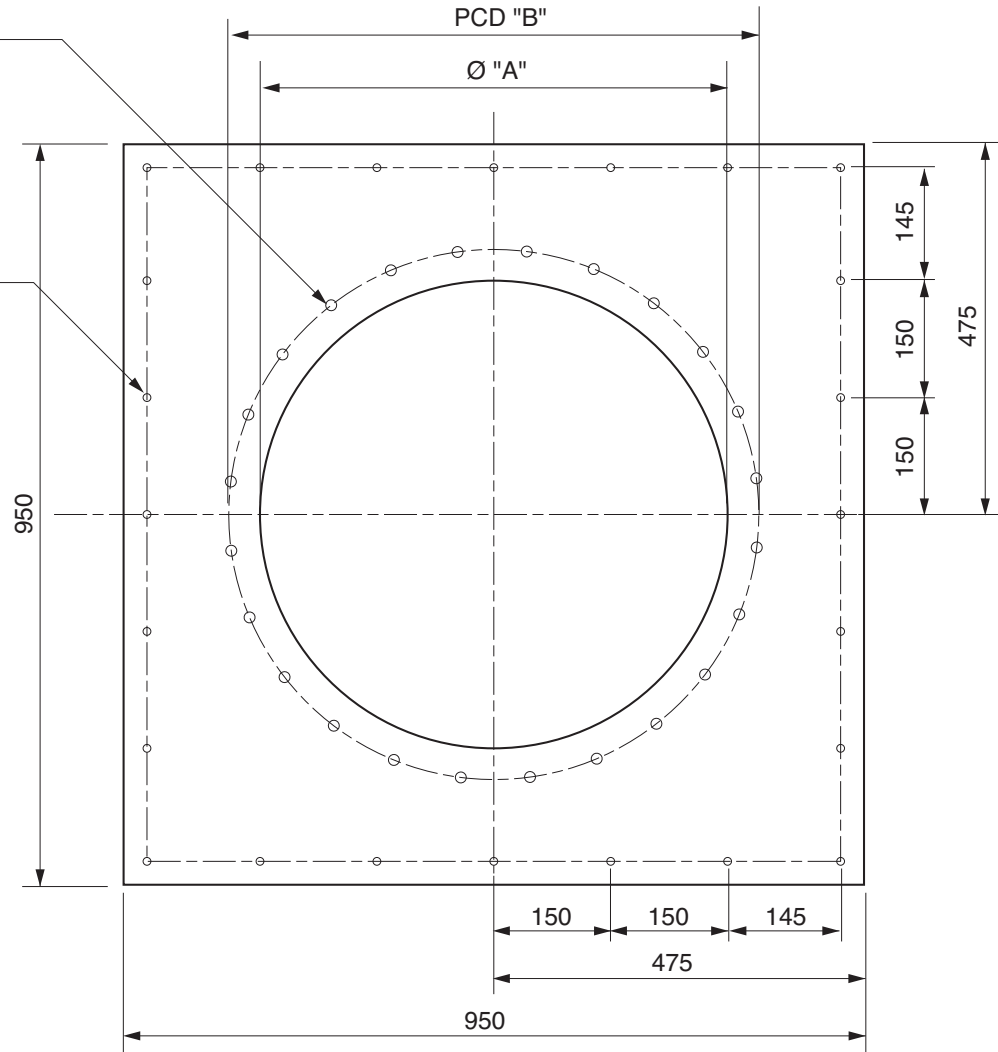
For reference purposes only. This drawing is not a specification. Order against product code only. To enable continuous improvement of our products, the designs and specifications are subject to change without notice.

**FIBRELITE**   
PART OF OPW A DOWDER COMPANY



"C" QUANTITY OF M14 x 46  
STEEL STUDS EQUI-SPACED  
ON PCD "B"

24 X M10 X 50  
STEEL STUDS



Item	Nominal Size	Dimensions		
		A	B	C
1	460	470	527	20
2	460	470	530	16
3	600	600	680	24
4	600	600	680	28
5	600	600	680	32

MATERIAL:  
STEEL ZINC PLATED