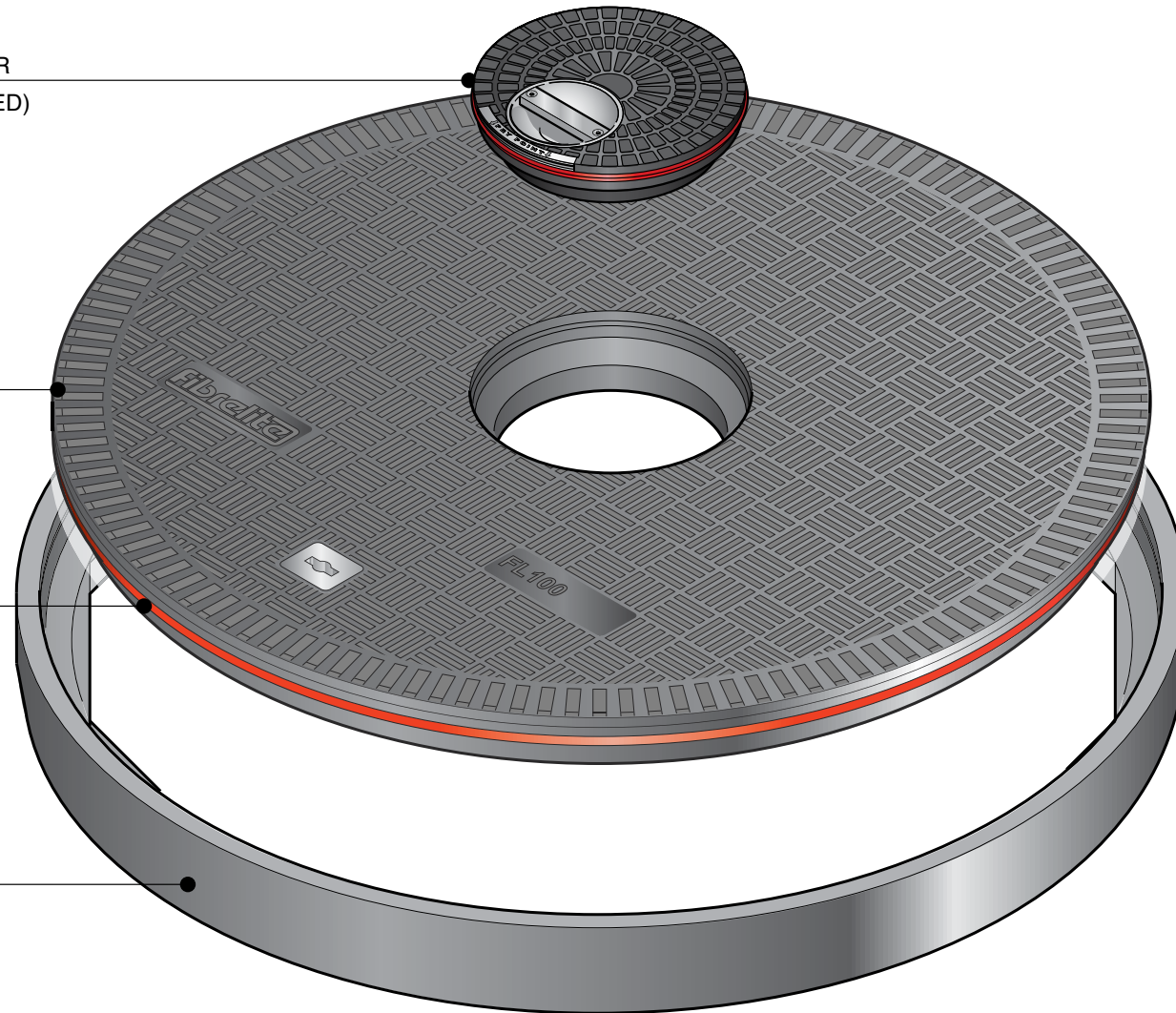


FC-254 SEALED DIP COVER
(AVAILABLE COLOUR CODED)

FL100-CD COVER

SEAL

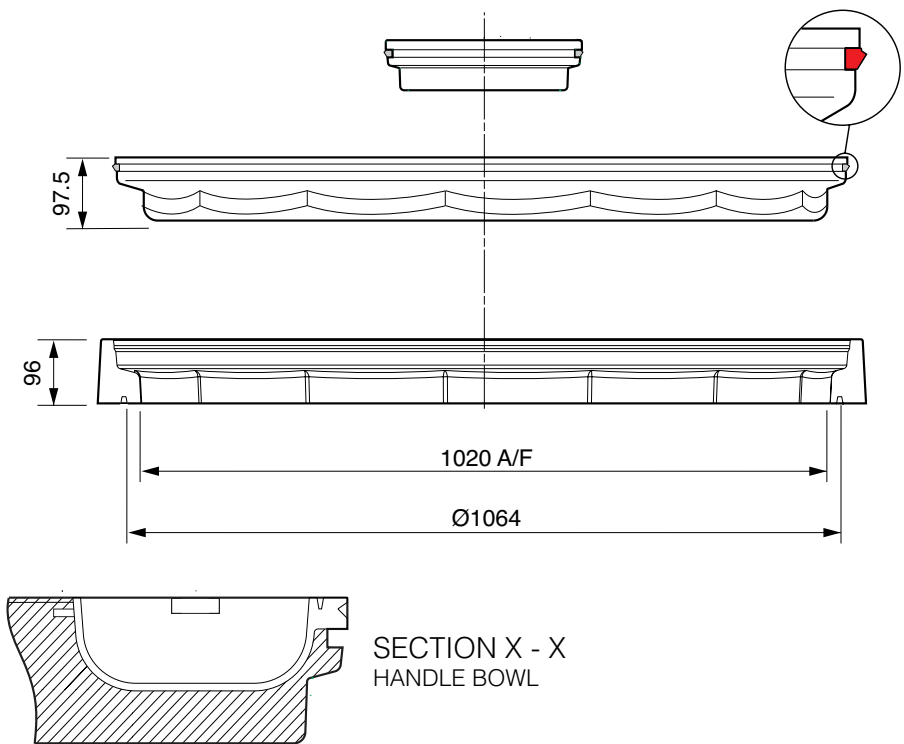
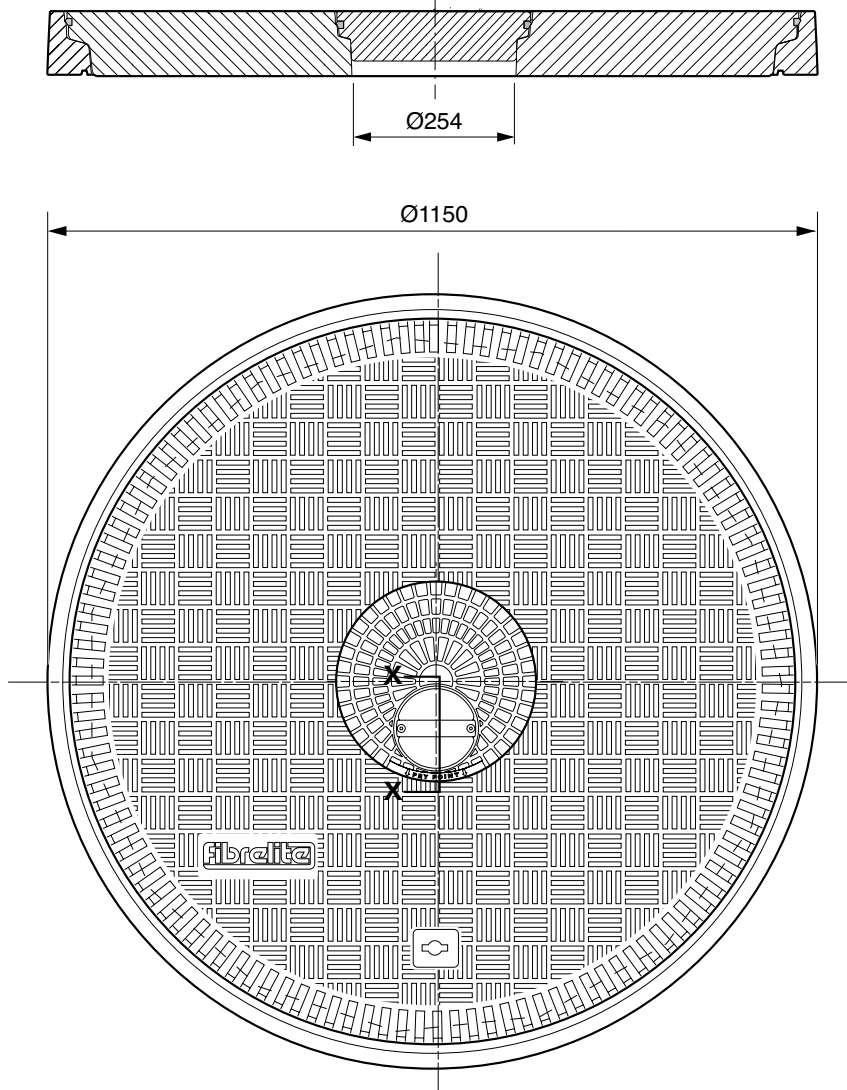
FL100 FRAME



1020mm dia. watertight flat sealed composite cover and frame with a removable central dip port cover.

For reference purposes only. This drawing is not a specification. Order against product code only. To enable continuous improvement of our products, the designs and specifications are subject to change without notice.

FIBRELITE 
PART OF OPW A  COMPANY



Load Rating	Cover Weight	Frame Weight	Port Cover Weight
C250	49Kg	11Kg	3Kg
D400	55Kg	11Kg	3Kg

1020mm dia. watertight flat sealed composite cover and frame with a removable central dip port cover.

For reference purposes only. This drawing is not a specification. Order against product code only. To enable continuous improvement of our products, the designs and specifications are subject to change without notice.

FIBRELITE 
PART OF OPW A DOVER COMPANY

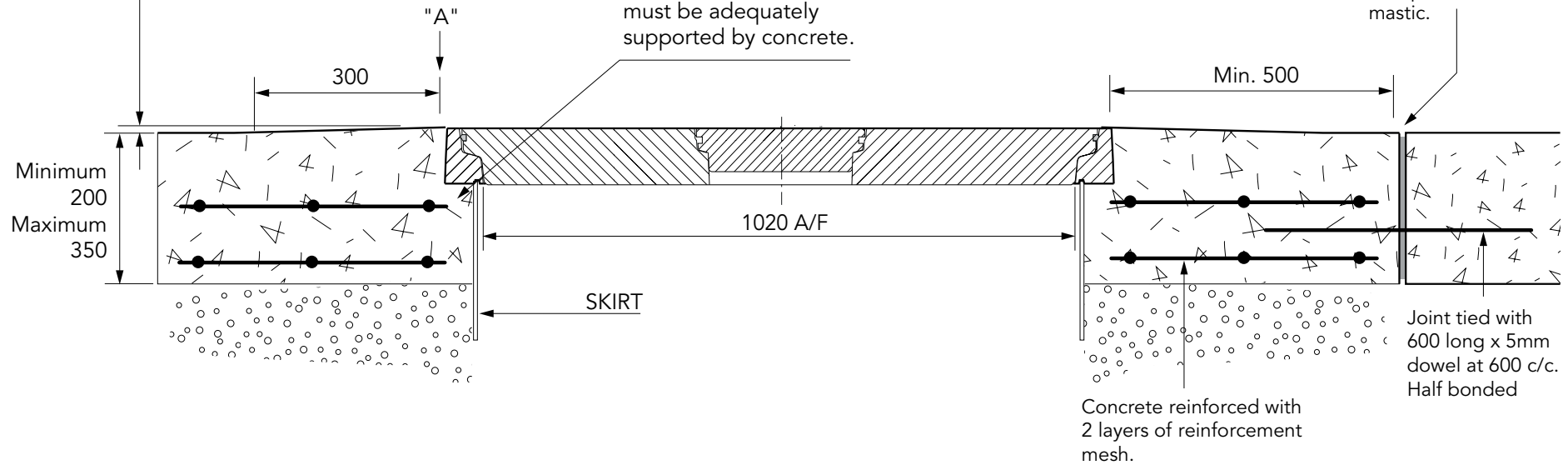
CONCRETE


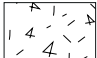
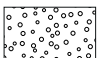
VERY IMPORTANT

OUTER EDGE "A" OF FRAME SET 5 - 10mm ABOVE GENERAL FORECOURT AREA WITH CONCRETE RAMPED AWAY OVER 300mm

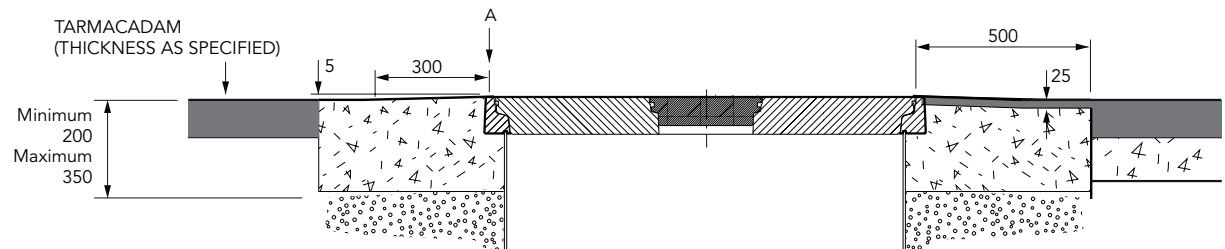
VERY IMPORTANT

The underside of the frame must be adequately supported by concrete.



-  BLACKTOP
-  CONCRETE
-  PEA GRAVEL

TARMACADAM



1020mm dia. watertight flat sealed composite cover and frame with a removable central dip port cover.

For reference purposes only. This drawing is not a specification. Order against product code only. To enable continuous improvement of our products, the designs and specifications are subject to change without notice.

