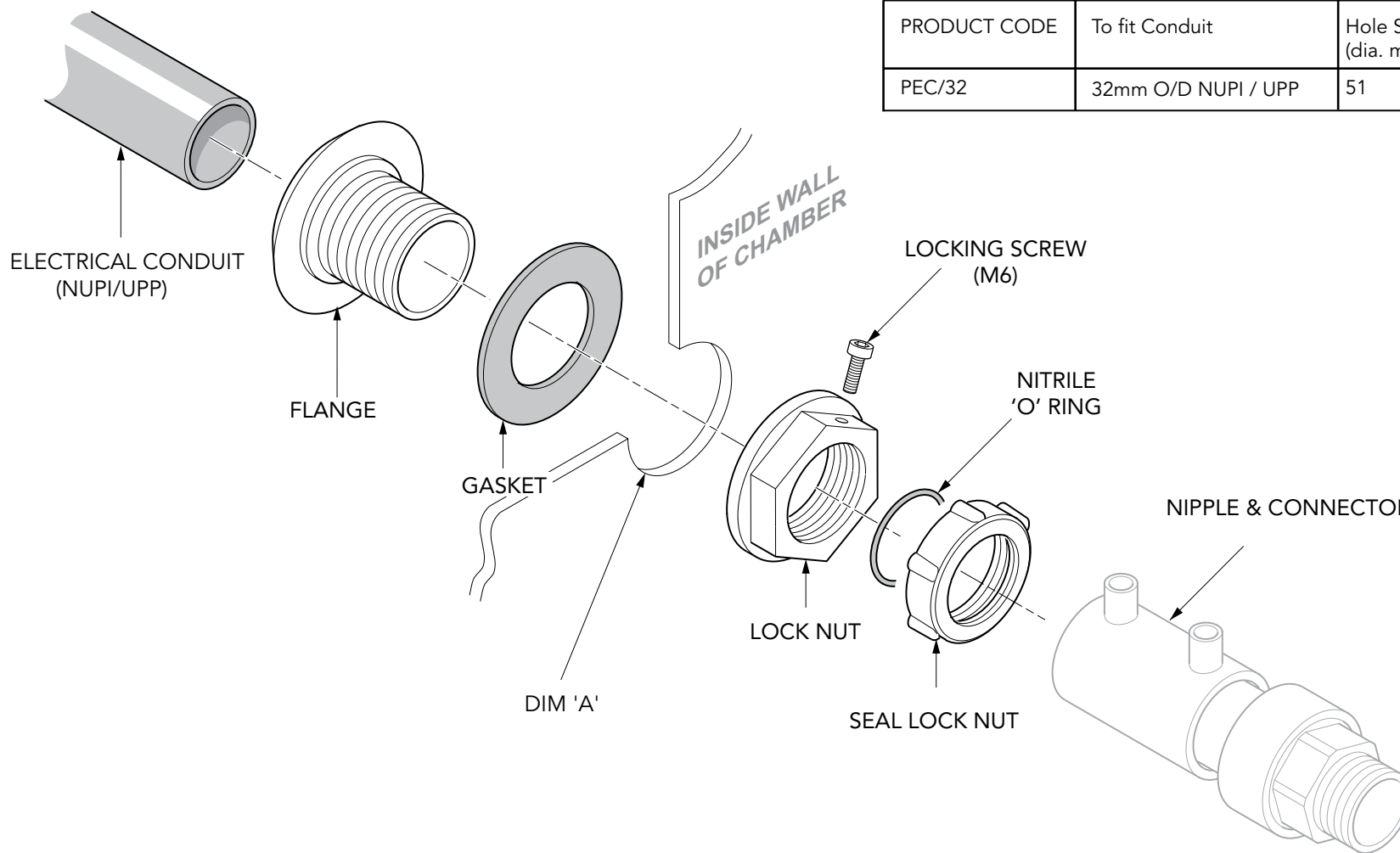


PRODUCT CODE	To fit Conduit	Hole Size Dim 'A' (dia. mm)
PEC/32	32mm O/D NUPI / UPP	51

32mm diameter electrical entry pipe kit.

For reference purposes only. This drawing is not a specification. Order against product code only. To enable continuous improvement of our products, the designs and specifications are subject to change without notice.

FIBRELITE 
PART OF OPW A DOVER COMPANY

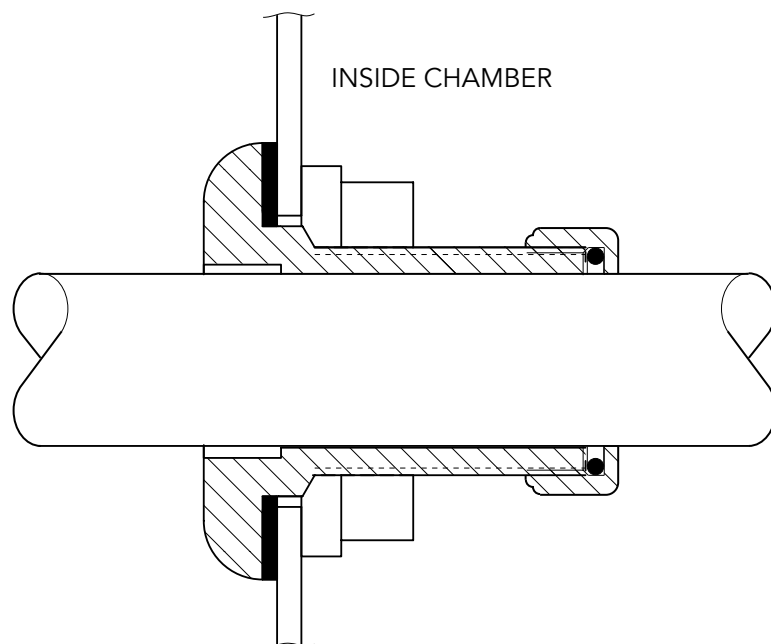
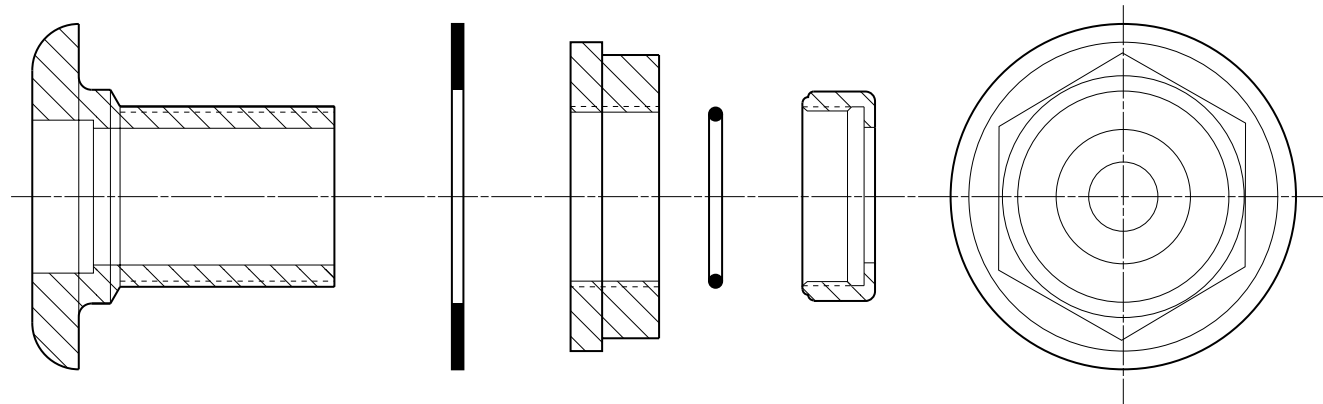


PRODUCT CODE	To fit Conduit	Hole Size Dim 'A' (dia. mm)
PEC/32	32mm O/D NUPI / UPP	51

32mm diameter electrical entry pipe kit.

For reference purposes only. This drawing is not a specification. Order against product code only. To enable continuous improvement of our products, the designs and specifications are subject to change without notice.





32mm diameter electrical entry pipe kit.

For reference purposes only. This drawing is not a specification. Order against product code only. To enable continuous improvement of our products, the designs and specifications are subject to change without notice.

