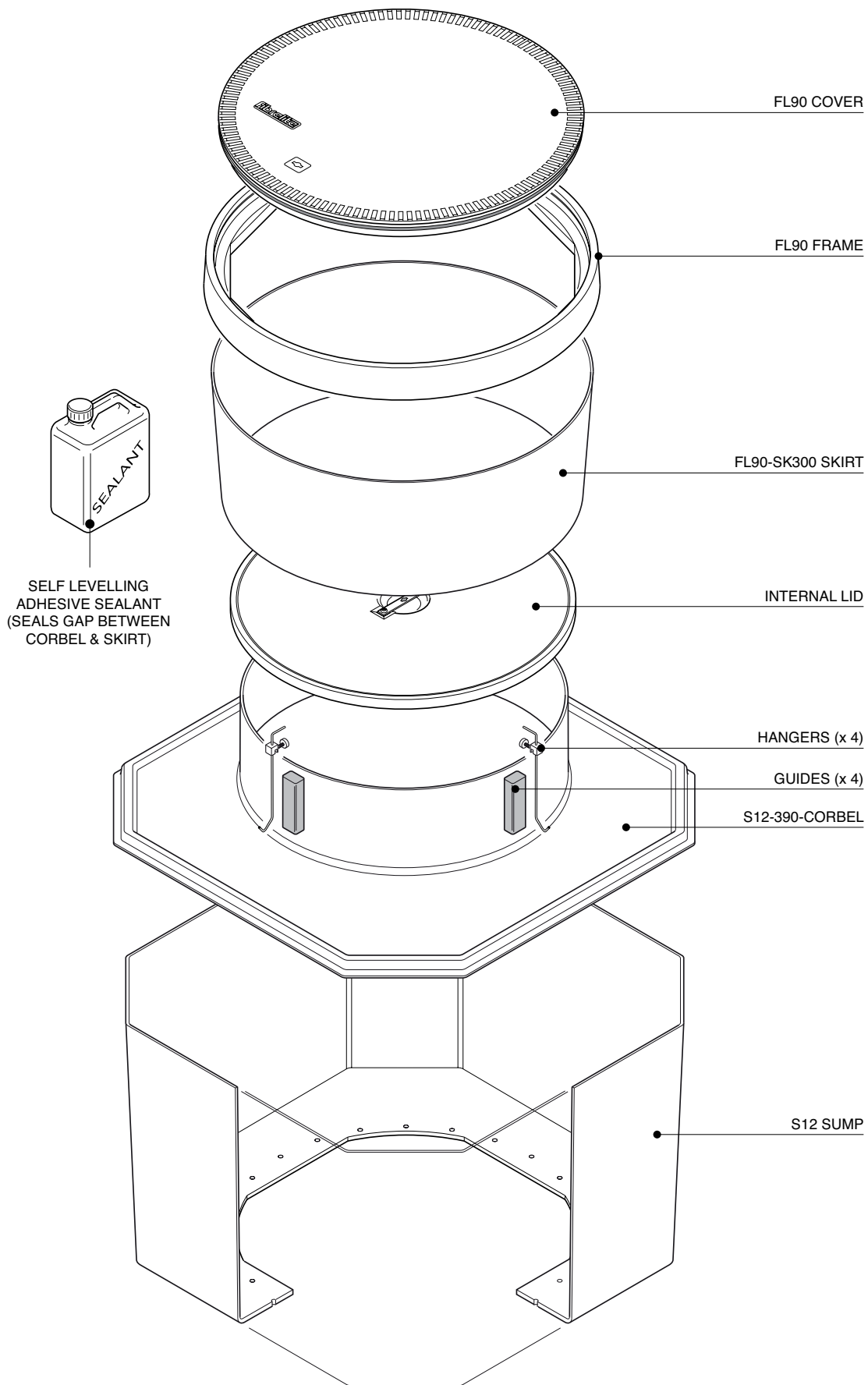


1.2m eight sided chamber with a round bolted base, corbel, adjustable height skirt, internal lid, 900mm dia. watertight flat sealed cover and frame.

For reference purposes only. This drawing is not a specification. Order against product code only. To enable continuous improvement of our products, the designs and specifications are subject to change without notice.

FIBRELITE 
PART OF OPW A DOVER COMPANY



FL90 COVER

FL90 FRAME

FL90-SK300 SKIRT

INTERNAL LID

HANGERS (x 4)

GUIDES (x 4)

S12-390-CORBEL

S12 SUMP

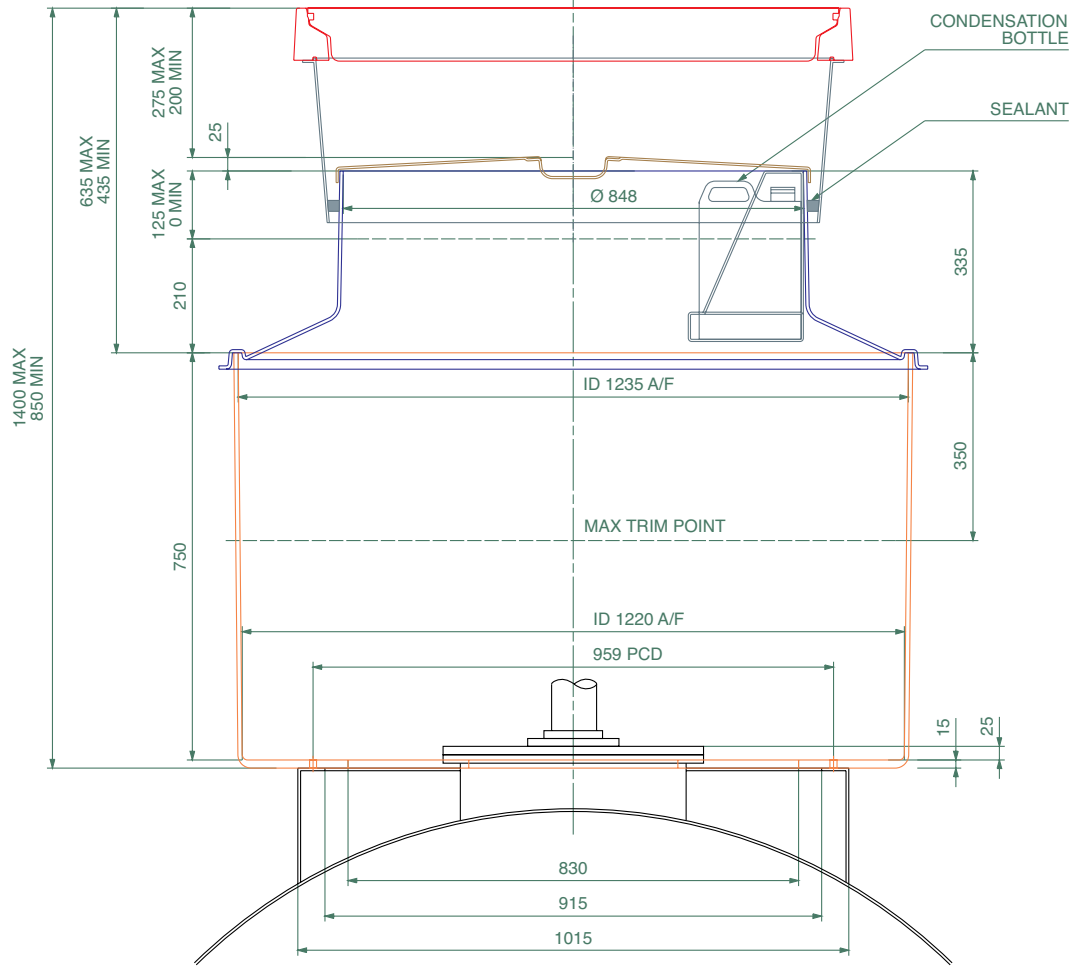
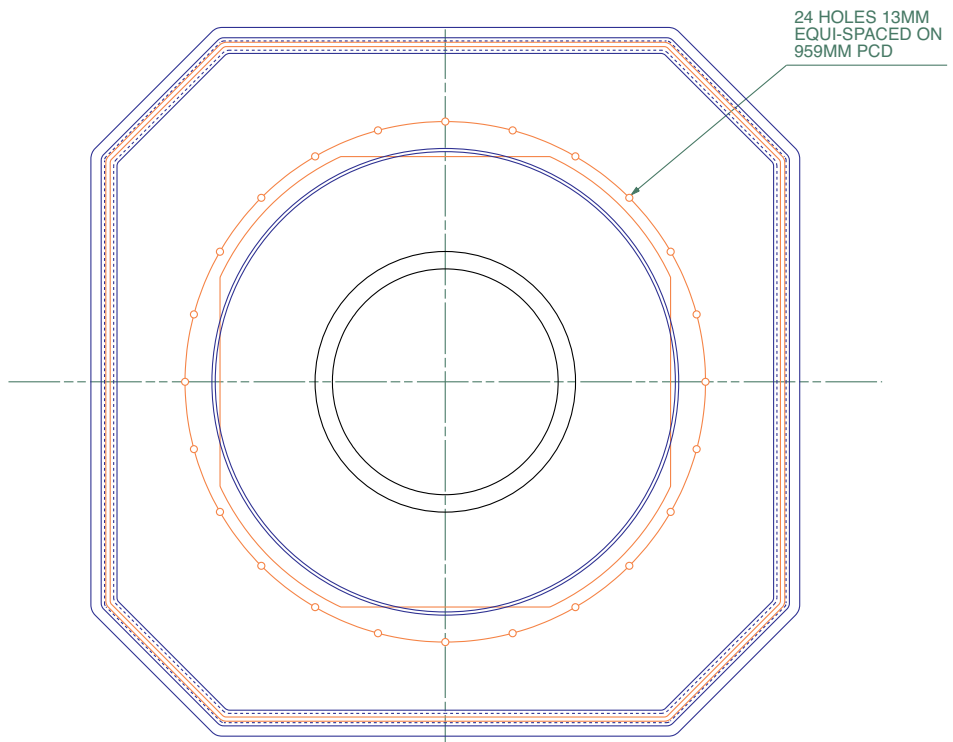
SEALANT

SELF LEVELLING
ADHESIVE SEALANT
(SEALS GAP BETWEEN
CORBEL & SKIRT)

1.2m eight sided chamber with a round bolted base, corbel, adjustable height skirt, internal lid, 900mm dia. watertight flat sealed cover and frame.

For reference purposes only. This drawing is not a specification. Order against product code only. To enable continuous improvement of our products, the designs and specifications are subject to change without notice.





1.2m eight sided chamber with a round bolted base, corbel, adjustable height skirt, internal lid, 900mm dia. watertight flat sealed cover and frame.

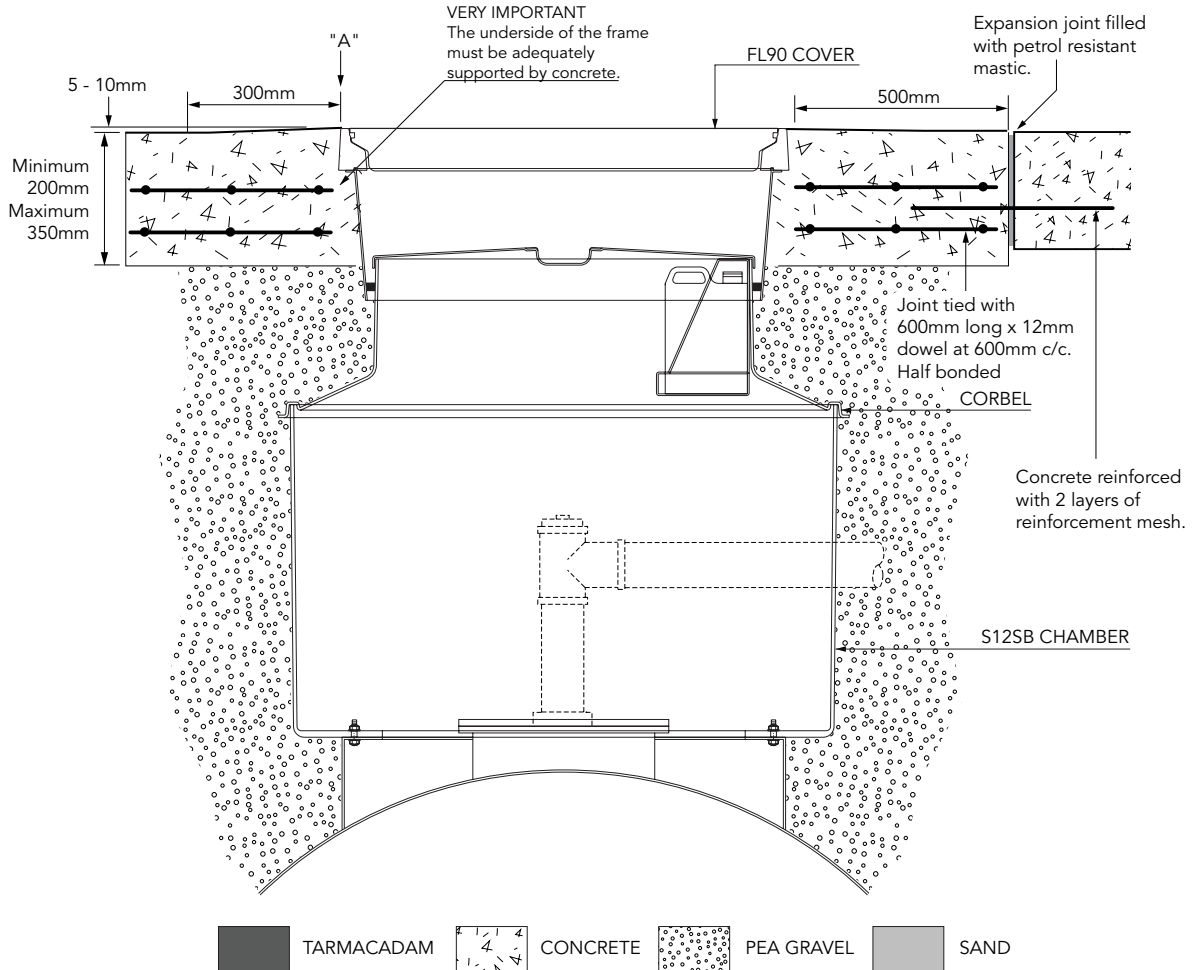
For reference purposes only. This drawing is not a specification. Order against product code only. To enable continuous improvement of our products, the designs and specifications are subject to change without notice.



! VERY IMPORTANT !
OUTER EDGE "A" OF FRAME SET 5 - 10MM
ABOVE GENERAL FORECOURT AREA WITH
CONCRETE RAMPED AWAY OVER 300MM.

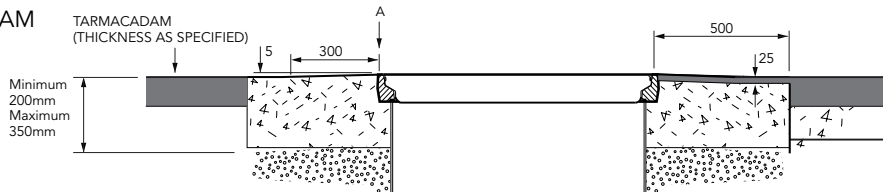
TYPICAL INSTALLATION

CONCRETE

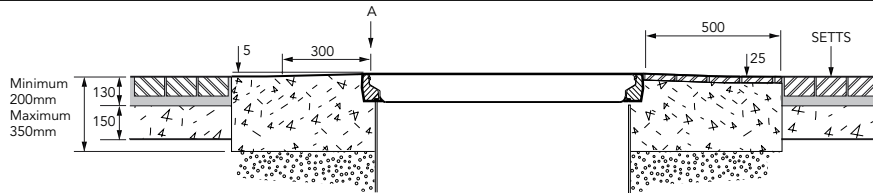


ALTERNATIVE INSTALLATION ADVICE

TARMACADAM



SETTS



1.2m eight sided chamber with a round bolted base, corbel, adjustable height skirt, internal lid, 900mm dia. watertight flat sealed cover and frame.

For reference purposes only. This drawing is not a specification. Order against product code only. To enable continuous improvement of our products, the designs and specifications are subject to change without notice.

