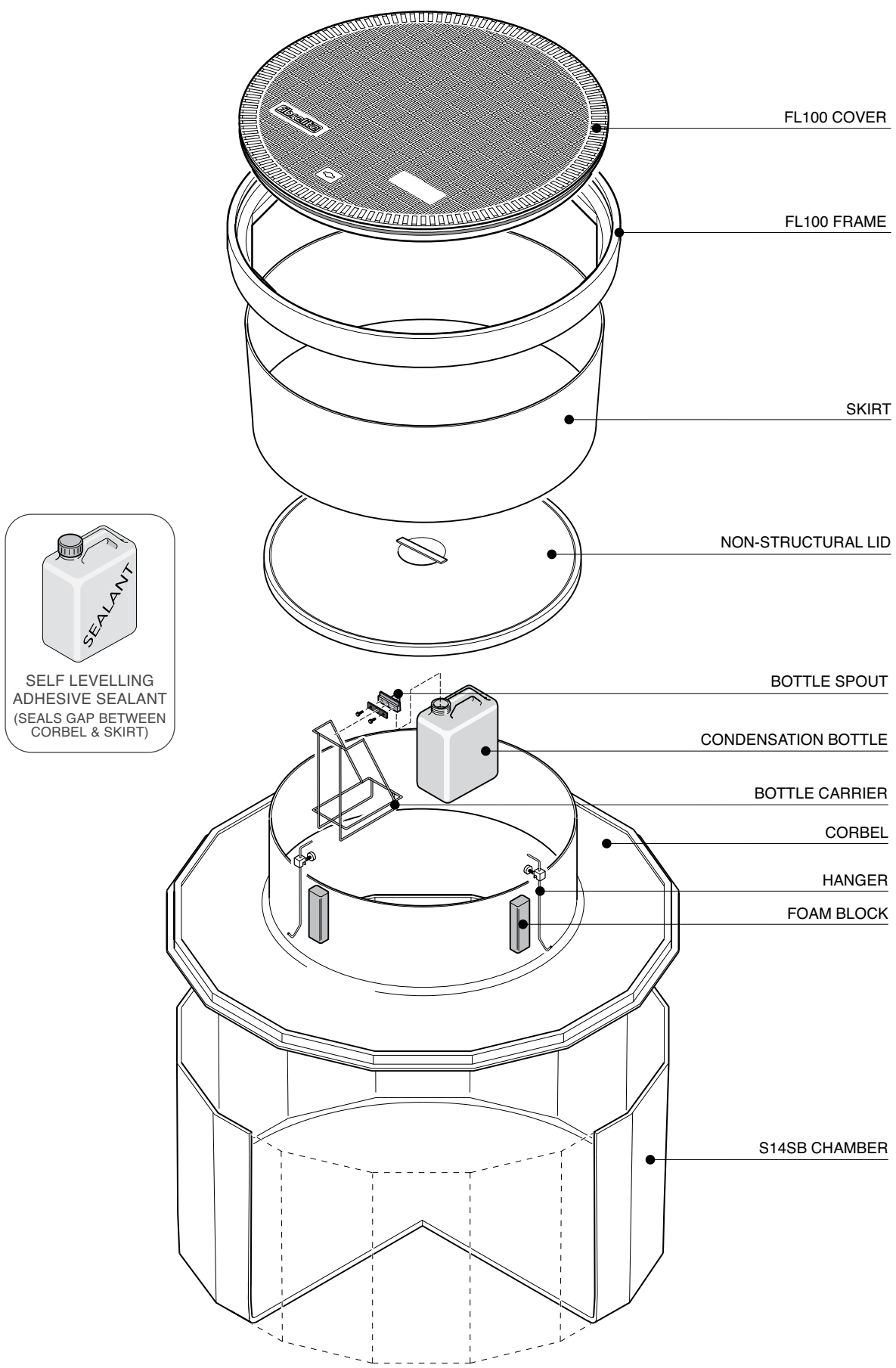


1.4m diameter solid bolted base chamber, with a corbel, adjustable height skirt, 1020mm dia. watertight flat sealed cover and frame.

For reference purposes only. This drawing is not a specification. Order against product code only. To enable continuous improvement of our products, the designs and specifications are subject to change without notice.

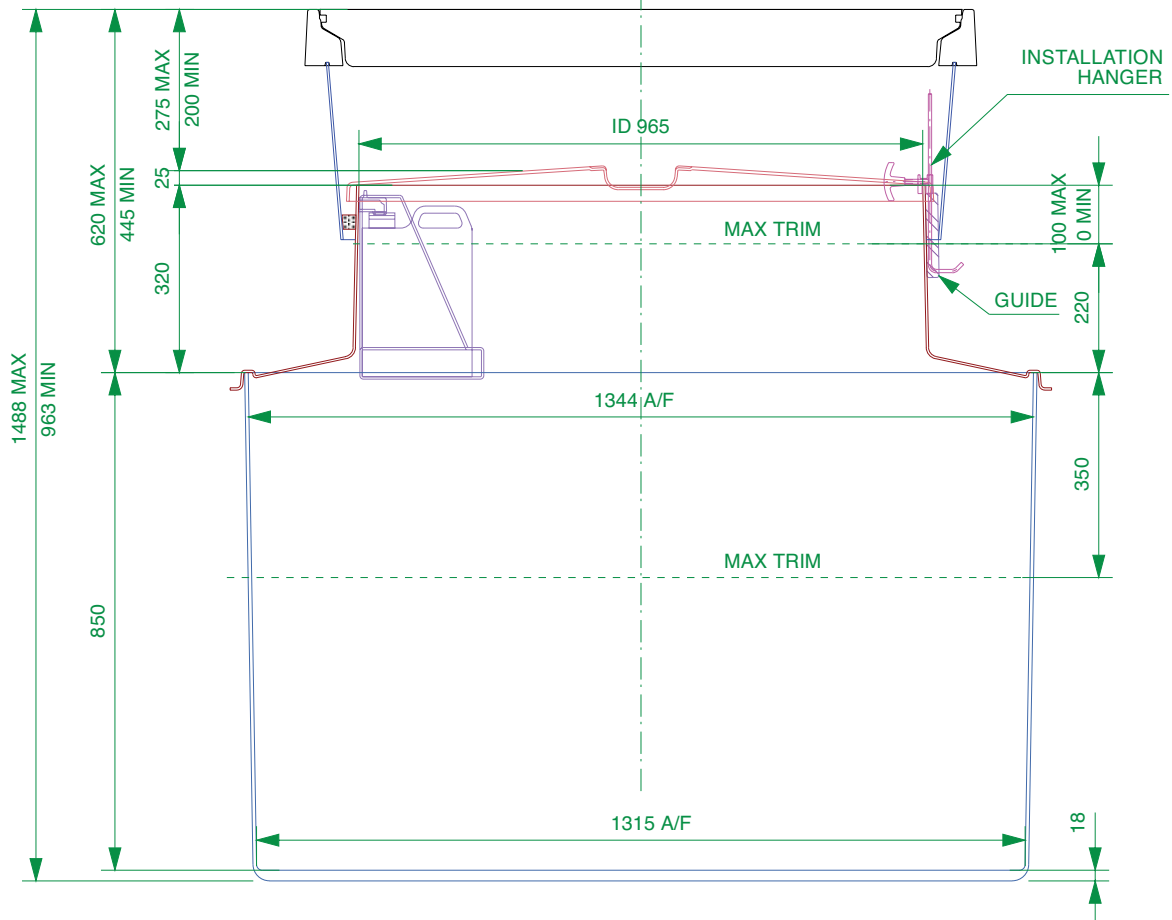
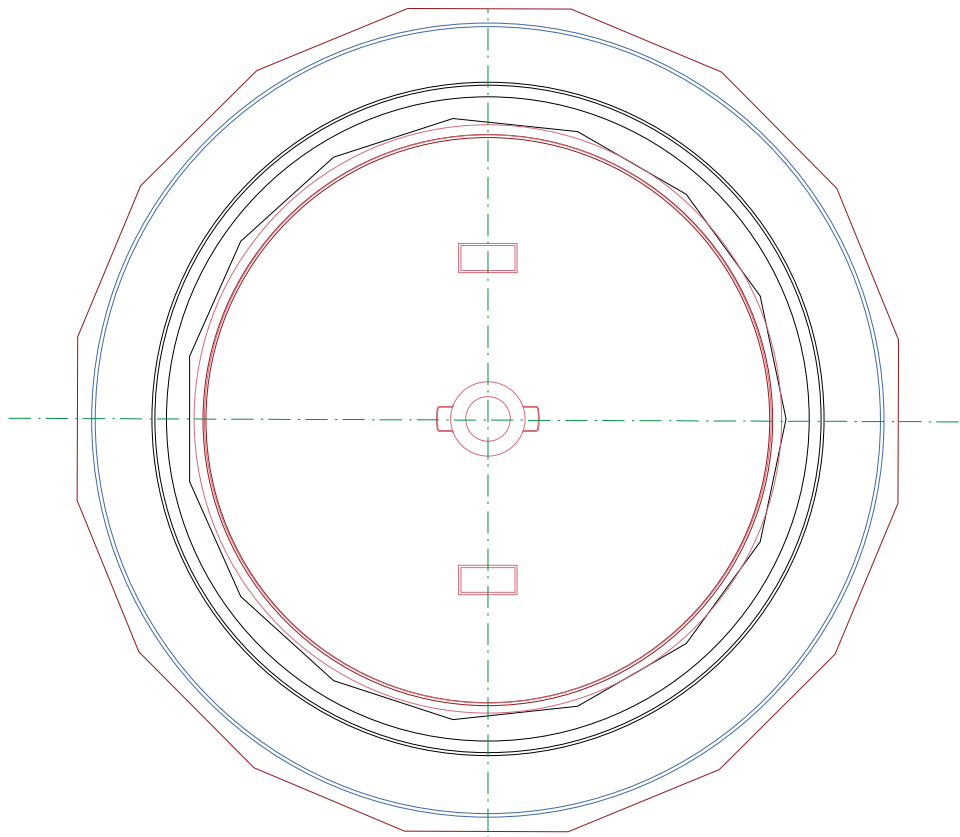
FIBRELITE 
PART OF OPW A DOVER COMPANY



1.4m diameter solid bolted base chamber, with a corbel, adjustable height skirt, 1020mm dia. watertight flat sealed cover and frame.

For reference purposes only. This drawing is not a specification. Order against product code only. To enable continuous improvement of our products, the designs and specifications are subject to change without notice.





1.4m diameter solid bolted base chamber, with a corbel, adjustable height skirt, 1020mm dia. watertight flat sealed cover and frame.

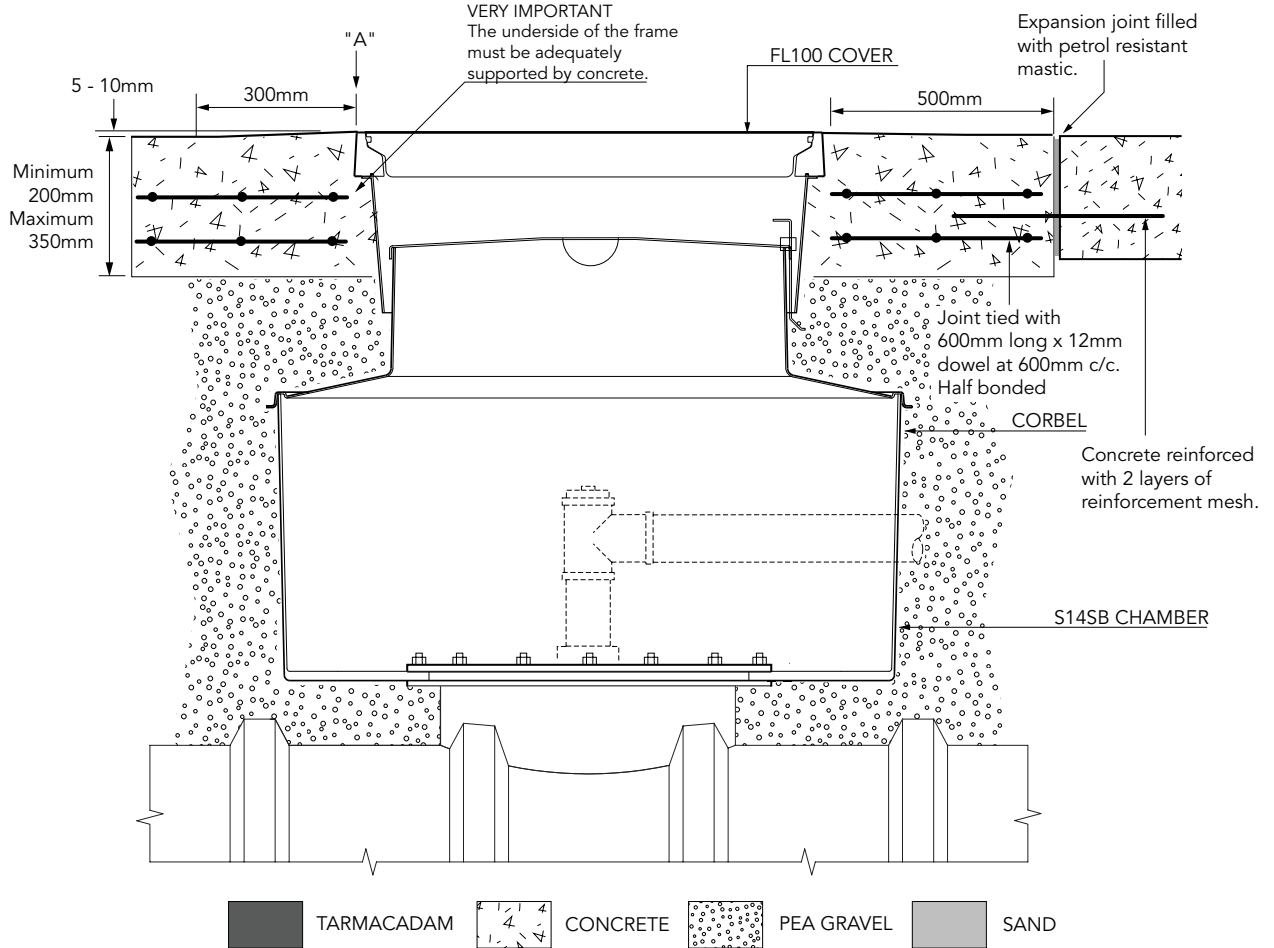
For reference purposes only. This drawing is not a specification. Order against product code only. To enable continuous improvement of our products, the designs and specifications are subject to change without notice.

FIBRELITE 
PART OF OPW A DOVER COMPANY

! VERY IMPORTANT !
OUTER EDGE "A" OF FRAME SET 5 - 10MM
ABOVE GENERAL FORECOURT AREA WITH
CONCRETE RAMPED AWAY OVER 300MM.

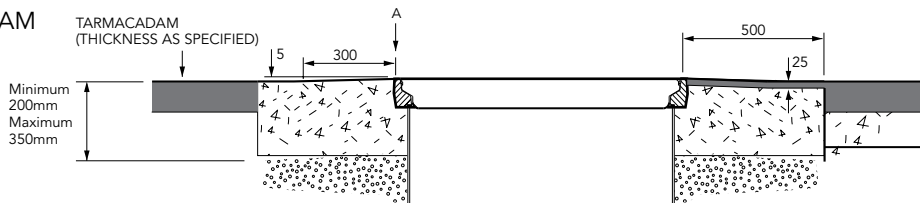
TYPICAL INSTALLATION

CONCRETE

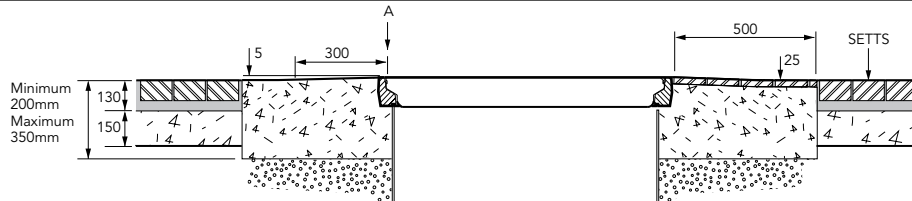


ALTERNATIVE INSTALLATION ADVICE

TARMACADAM



SETTS



1.4m diameter solid bolted base chamber, with a corbel, adjustable height skirt, 1020mm dia. watertight flat sealed cover and frame.

For reference purposes only. This drawing is not a specification. Order against product code only. To enable continuous improvement of our products, the designs and specifications are subject to change without notice.

