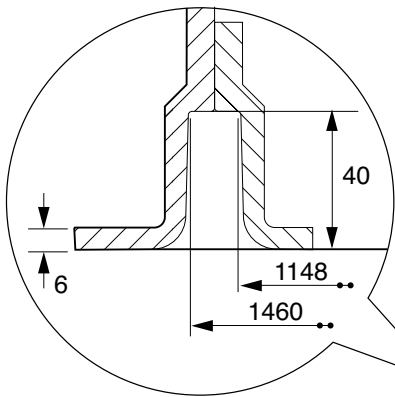
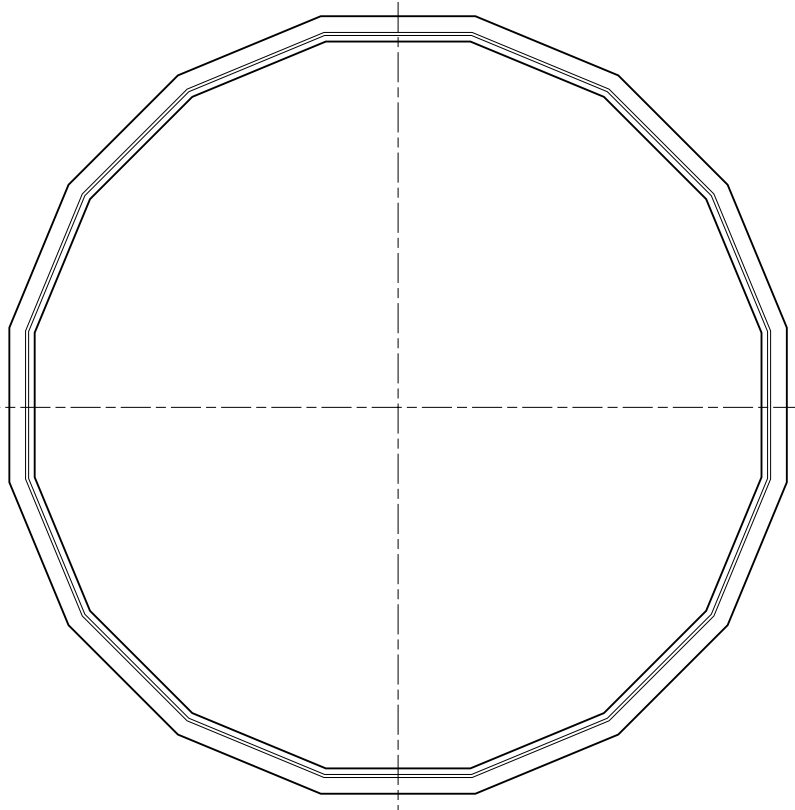
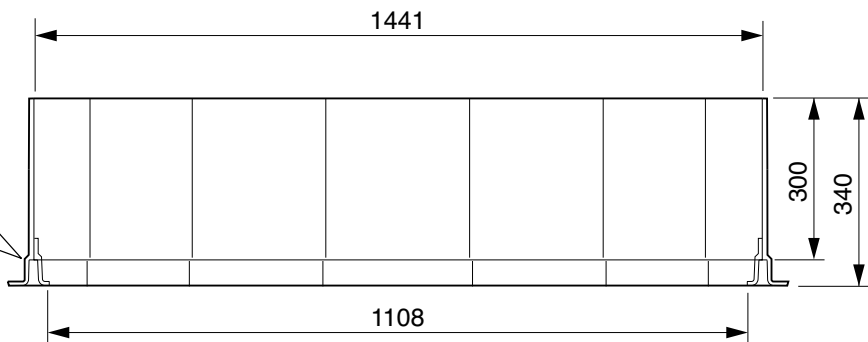


300mm deep extension to fit S15 sumps systems

For reference purposes only. This drawing is not a specification. Order against product code only. To enable continuous improvement of our products, the designs and specifications are subject to change without notice.



GROOVE DETAIL SECTION



300mm deep extension to fit S15 sumps systems

For reference purposes only. This drawing is not a specification. Order against product code only. To enable continuous improvement of our products, the designs and specifications are subject to change without notice.

