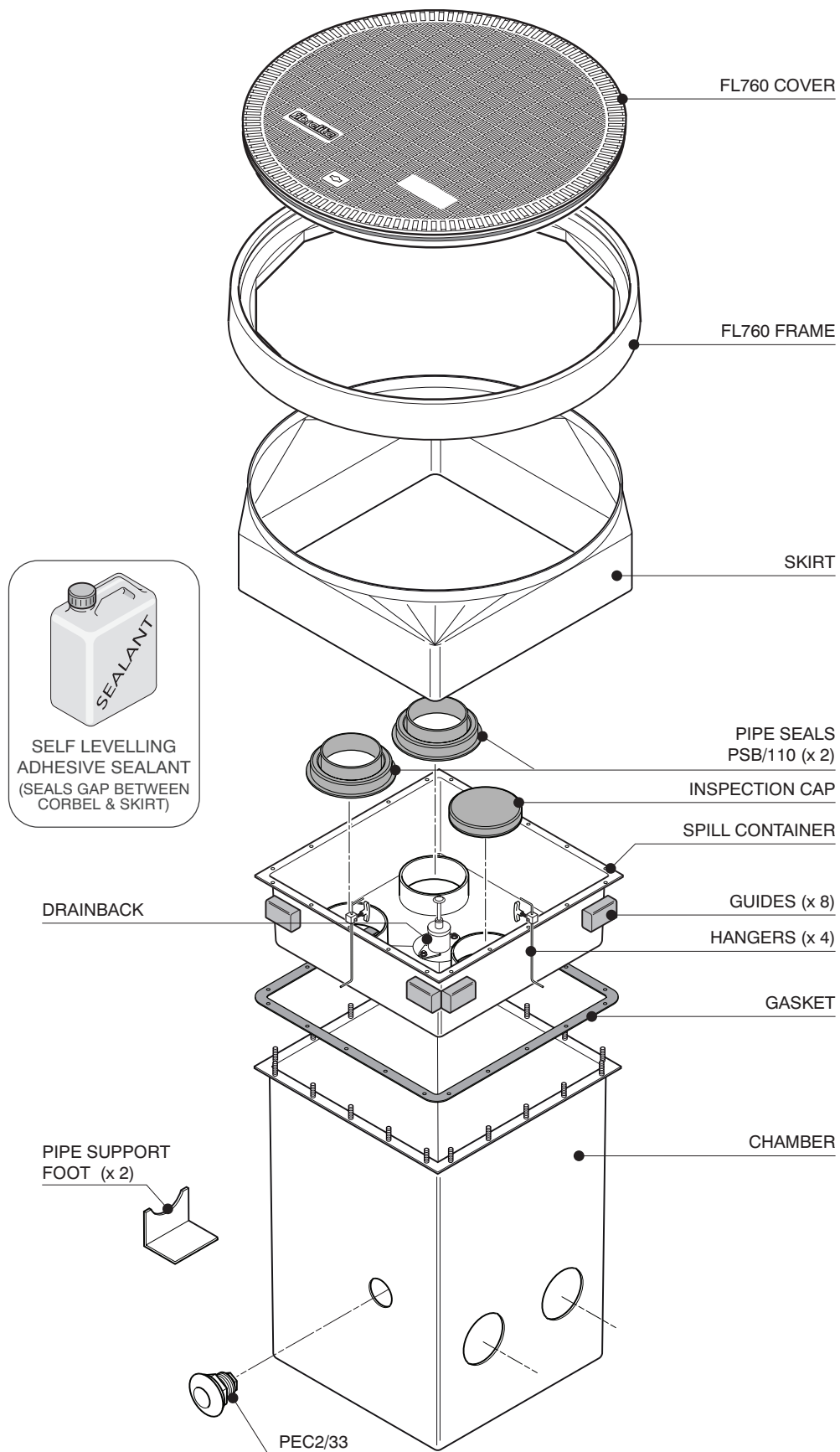


490mm square x 770mm deep offset fill chamber system with adjustable skirt, integrated spill container with intergrated drainback, 1/2 tin of sealant and FL760 flat sealed cover with composite frame. Includes inspection port cap, pipe entry and penetration fitting for grounding connection. Includes preinstalled KPS pipework for 2 fills.

For reference purposes only. This drawing is not a specification. Order against product code only. To enable continuous improvement of our products, the designs and specifications are subject to change without notice.

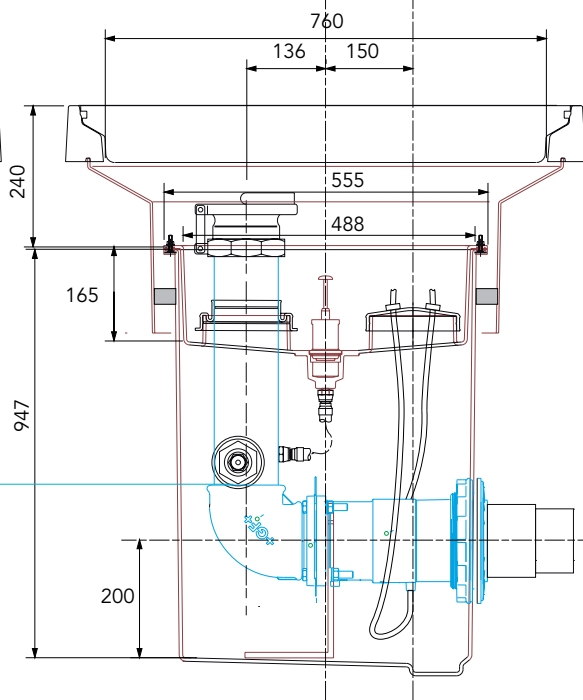
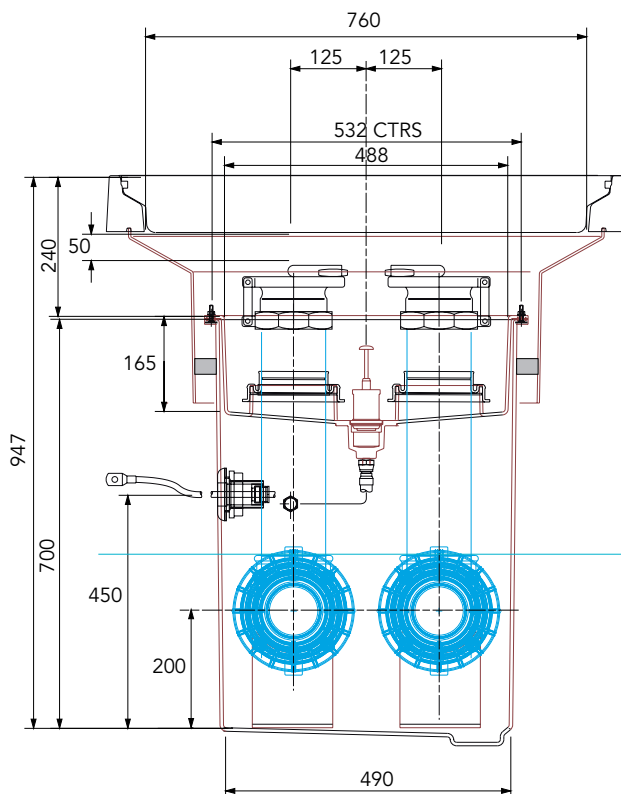
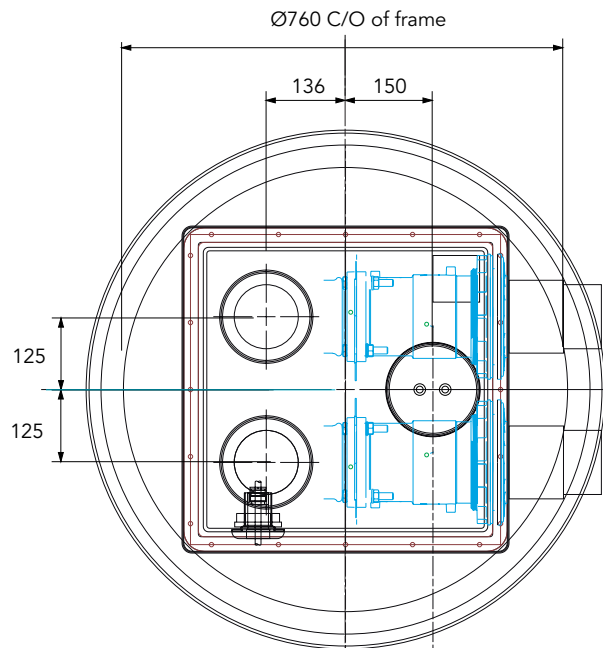


490mm square x 770mm deep offset fill chamber system with adjustable skirt, integrated spill container with intergrated drainback, 1/2 tin of sealant and FL760 flat sealed cover with composite frame. Includes inspection port cap, pipe entry and penetration fitting for grounding connection. Includes preinstalled KPS pipework for 2 fills.

For reference purposes only. This drawing is not a specification. Order against product code only. To enable continuous improvement of our products, the designs and specifications are subject to change without notice.

Spill Containment Capacity
= 35 Litres / 9.25 US Gall

ITEM	QTY
1 Fibrelite FL760 Cover	1
2 Fibrelite FL760 Frame	1
3 Fibrelite 270mm deep skirt	1
4 Fibrelite Spill Container with integrated drain back valve	1
5 Fibrelite 500 x 500 x 700mm Deep Sump	1
6 Fibrelite Grounding Cable Seal (PEC2/33)	1
7 Fibrelite Pipe Support	2
8 Fibrelite Self-leveling Seal	1
4" FILL	
10 Drain back hose kit, consisting of; flexible drain back hose, 1/2" BSPT male x male cone faced adaptor, 1/2" BSP 1/2 socket	1
11 Draw Back Valve	1
12 Inspection Cap	1
13 KPS 125 / 110 Secondary Container Pipe	2
14 KPTM125 / 110SCOI Secondary Contained Sump Entry Fitting	2
15 KPC12 110 / Flange kit	2
16 KP 90/100 4" Elbow	2
17 4 GI Pipe / 4" Barre Nipple	2
18 PSB/110G Entry Boot	2



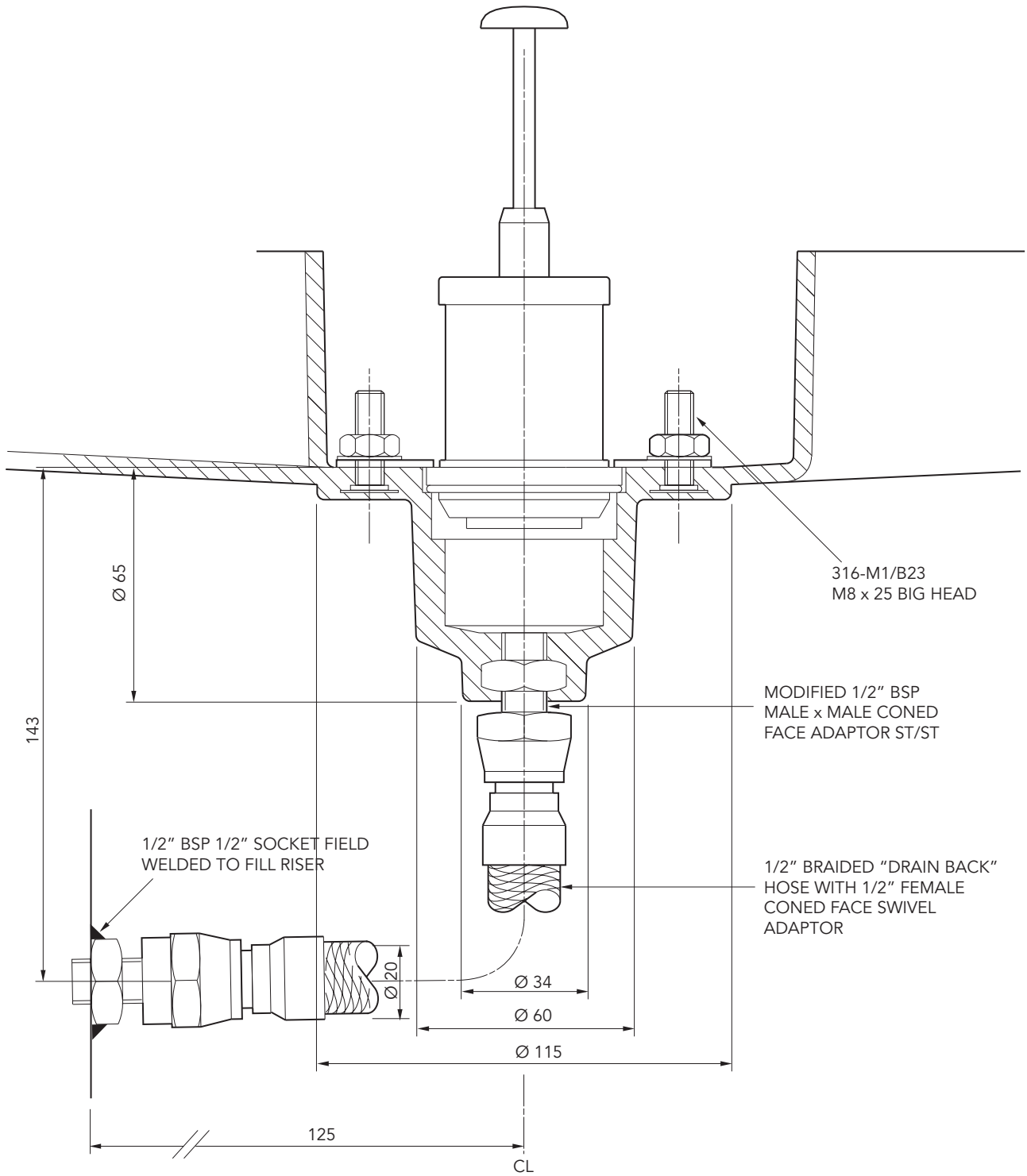
Note: Also supplied with chamber system
4 x Hangers & 8 x Foam Guides

Note: Drainback sealing off kit available
for non-drainback versions

490mm square x 770mm deep offset fill chamber system with adjustable skirt, integrated spill container with intergrated drainback, 1/2 tin of sealant and FL760 flat sealed cover with composite frame. Includes inspection port cap, pipe entry and penetration fitting for grounding connection. Includes preinstalled KPS pipework for 2 fills.

For reference purposes only. This drawing is not a specification. Order against product code only. To enable continuous improvement of our products, the designs and specifications are subject to change without notice.

FIBRELITE 
PART OF OPW A DOVER COMPANY



316-M1/B23
M8 x 25 BIG HEAD

MODIFIED 1/2" BSP
MALE x MALE CONED
FACE ADAPTOR ST/ST

1/2" BRAIDED "DRAIN BACK"
HOSE WITH 1/2" FEMALE
CONED FACE SWIVEL
ADAPTOR

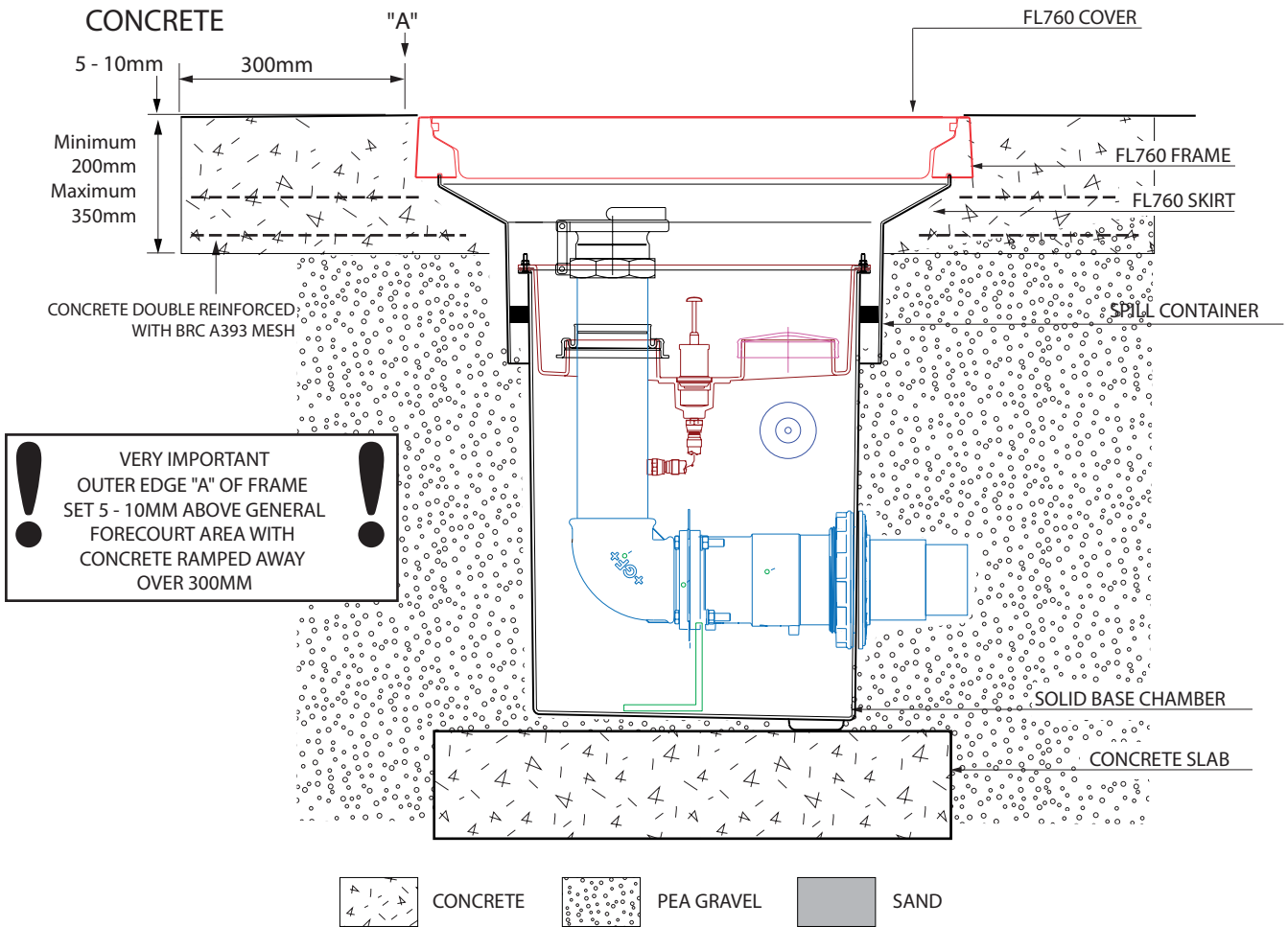
1/2" BSP 1/2" SOCKET FIELD
WELDED TO FILL RISER

490mm square x 770mm deep offset fill chamber system with adjustable skirt, integrated spill container with intergrated drainback, 1/2 tin of sealant and FL760 flat sealed cover with composite frame. Includes inspection port cap, pipe entry and penetration fitting for grounding connection. Includes preinstalled KPS pipework for 2 fills.

For reference purposes only. This drawing is not a specification. Order against product code only. To enable continuous improvement of our products, the designs and specifications are subject to change without notice.

FIBRELITE 
PART OF OPW A DOVER COMPANY

TYPICAL INSTALLATION



ALTERNATIVE INSTALLATION ADVICE

SETTS

