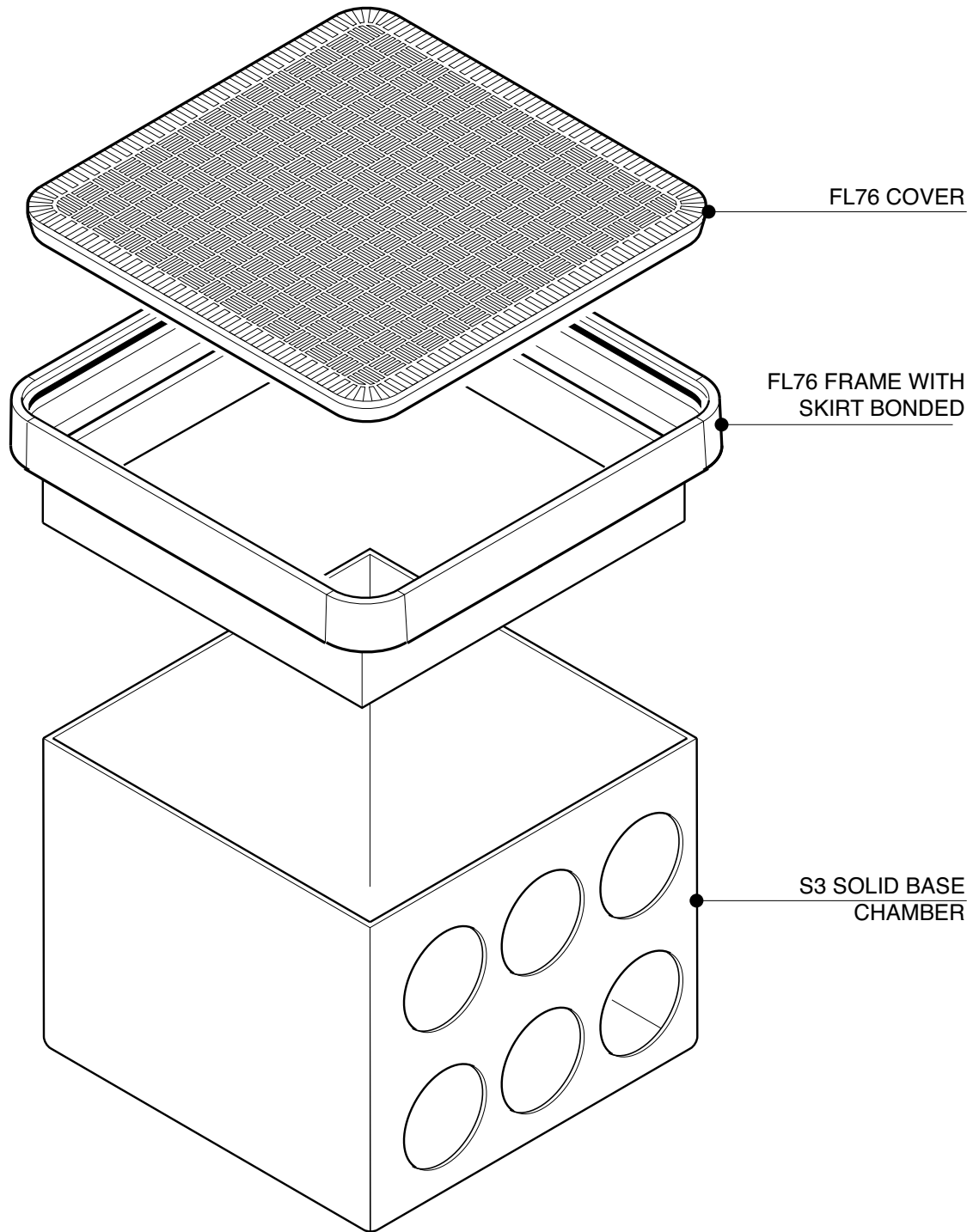


Electrical Drawpit 760mm square x 600mm deep GRP chamber with a 100mm deep skirt and square 760mm flat sealed cover.

For reference purposes only. This drawing is not a specification. Order against product code only. To enable continuous improvement of our products, the designs and specifications are subject to change without notice.

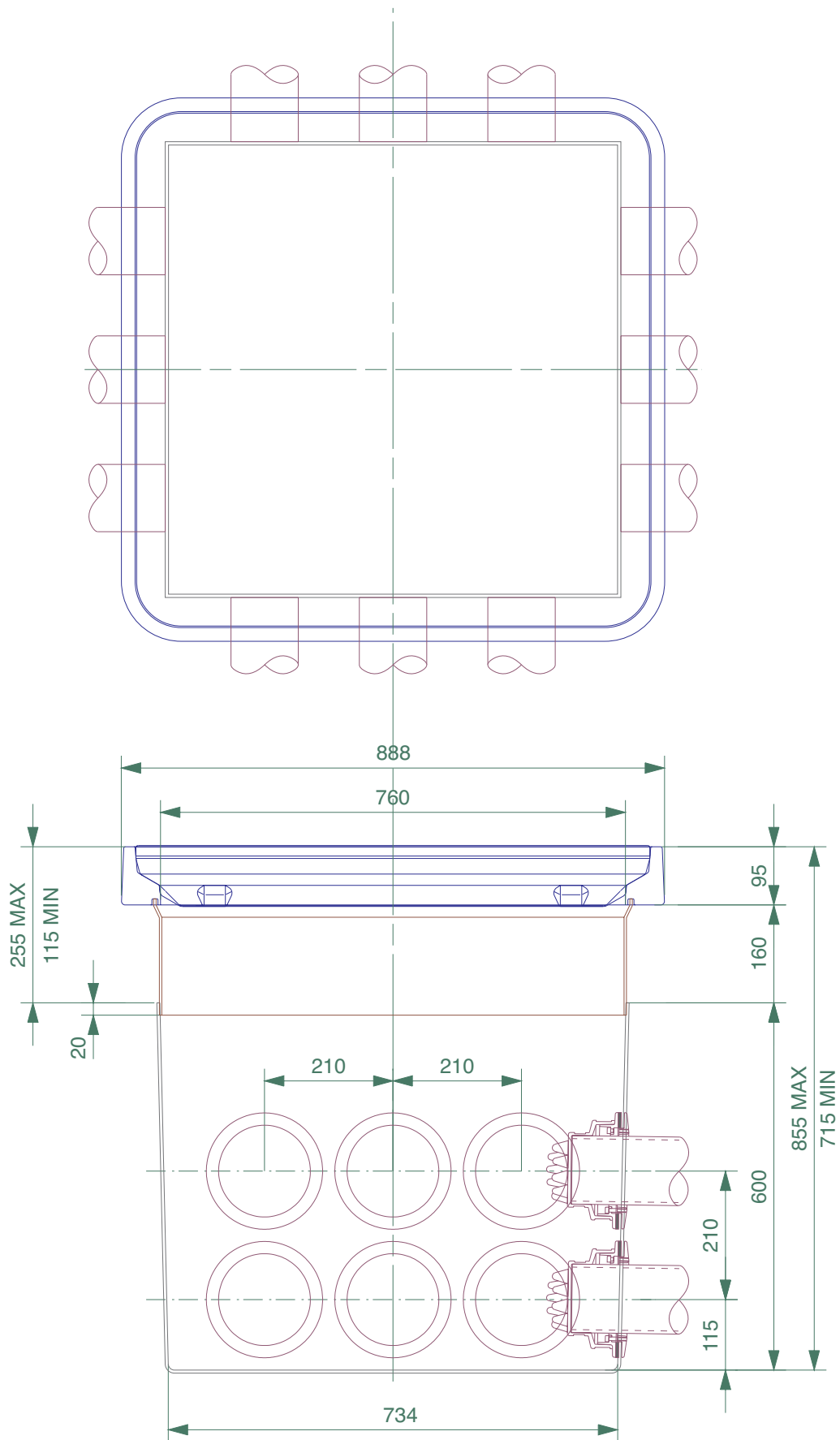
**FIBRELITE**   
PART OF OPW A DOVER COMPANY



Electrical Drawpit 760mm square x 600mm deep GRP chamber with a 100mm deep skirt and square 760mm flat sealed cover.

For reference purposes only. This drawing is not a specification. Order against product code only. To enable continuous improvement of our products, the designs and specifications are subject to change without notice.

**FIBRELITE**   
PART OF OPW A DOVER COMPANY



Electrical Drawpit 760mm square x 600mm deep GRP chamber with a 100mm deep skirt and square 760mm flat sealed cover.

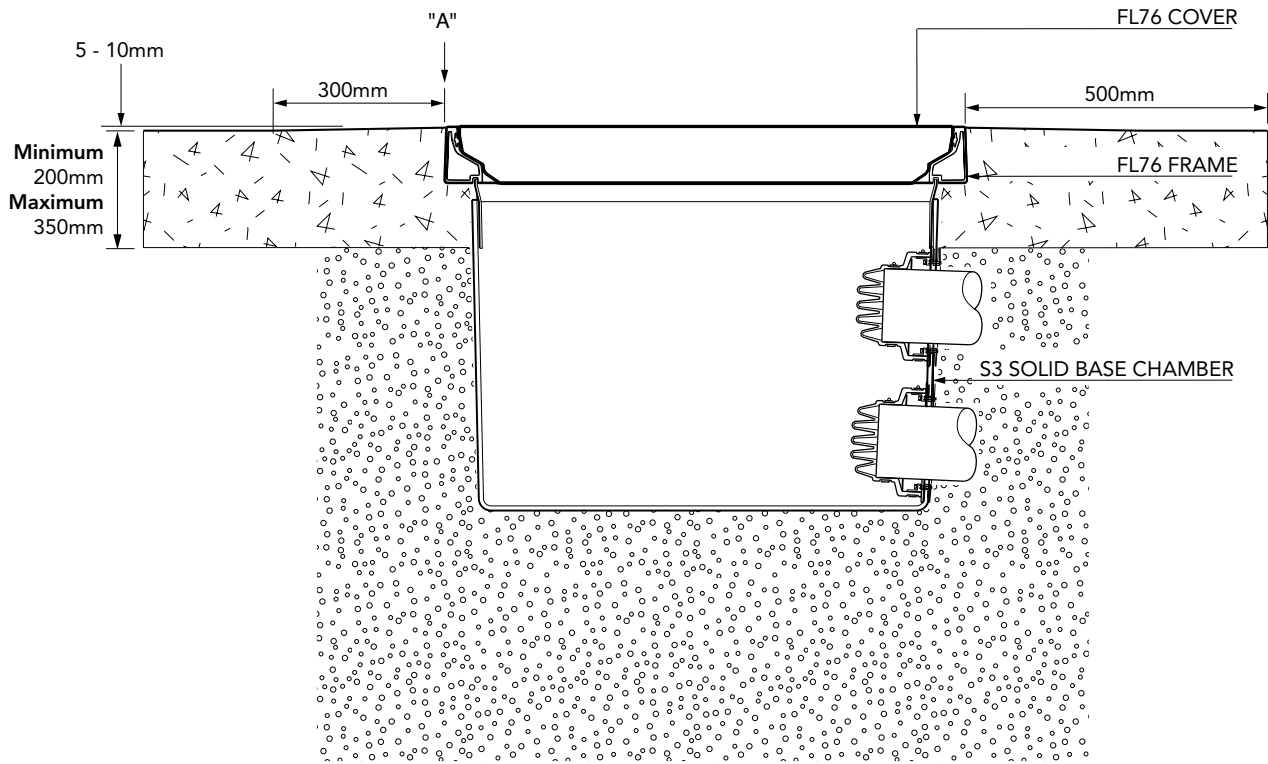
For reference purposes only. This drawing is not a specification. Order against product code only. To enable continuous improvement of our products, the designs and specifications are subject to change without notice.

**FIBRELITE**   
PART OF OPW A DOVER COMPANY

**! VERY IMPORTANT !**  
 OUTER EDGE "A" OF FRAME SET 5 - 10MM  
 ABOVE GENERAL FORECOURT AREA WITH  
 CONCRETE RAMPED AWAY OVER 300MM.

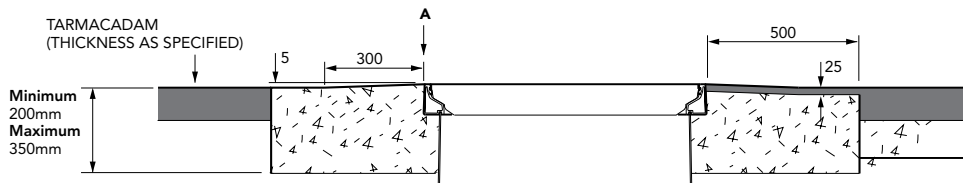
**TYPICAL INSTALLATION**

**CONCRETE**

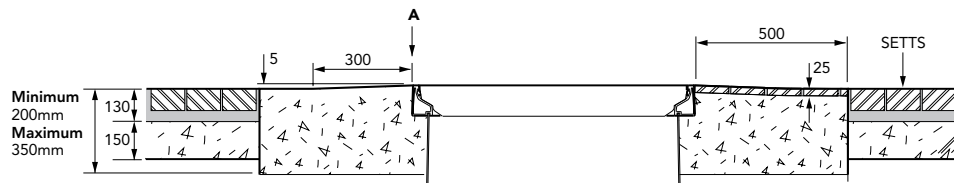


**ALTERNATIVE INSTALLATION ADVICE**

**TARMACADAM**



**SETTS**



Electrical Drawpit 760mm square x 600mm deep GRP chamber with a 100mm deep skirt and square 760mm flat sealed cover.

For reference purposes only. This drawing is not a specification. Order against product code only. To enable continuous improvement of our products, the designs and specifications are subject to change without notice.

