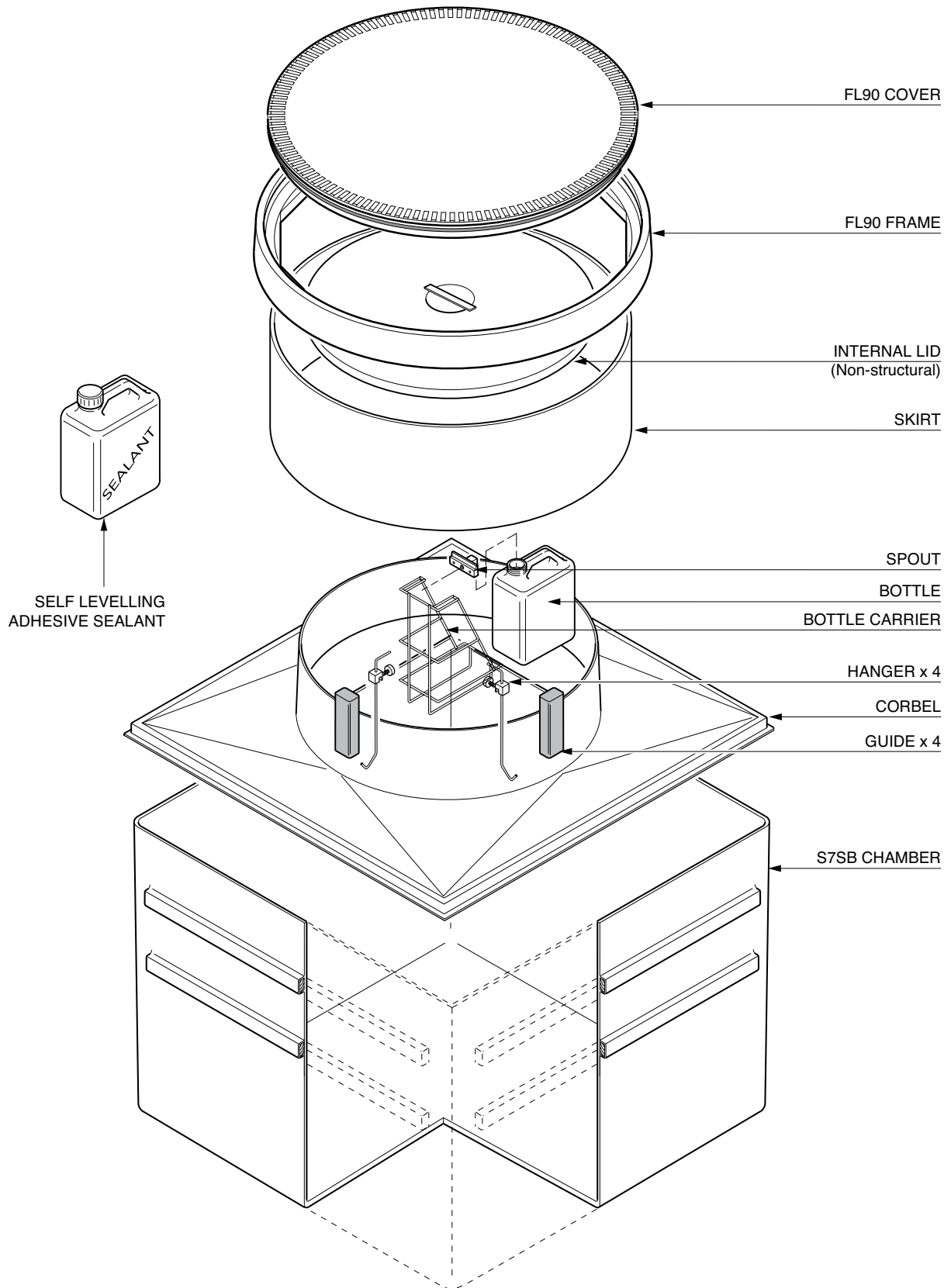


1.2m square solid base chamber with a corbel and square 760mm flat sealed cover.

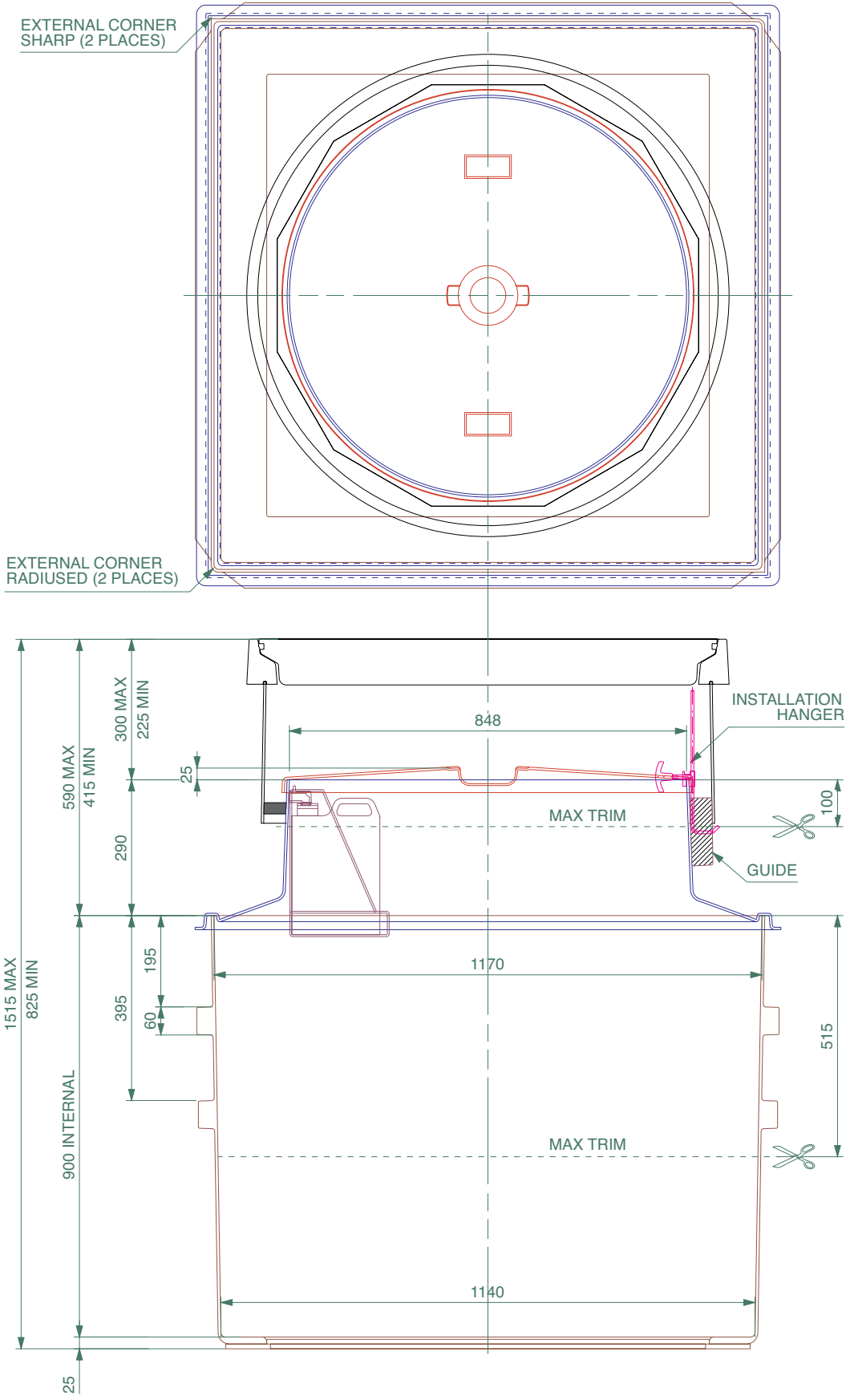
For reference purposes only. This drawing is not a specification. Order against product code only. To enable continuous improvement of our products, the designs and specifications are subject to change without notice.

FIBRELITE 
PART OF OPW A DOVER COMPANY



1.2m square solid base chamber with a corbel and square 760mm flat sealed cover.

For reference purposes only. This drawing is not a specification. Order against product code only. To enable continuous improvement of our products, the designs and specifications are subject to change without notice.



1.2m square solid base chamber with a corbel and square 760mm flat sealed cover.

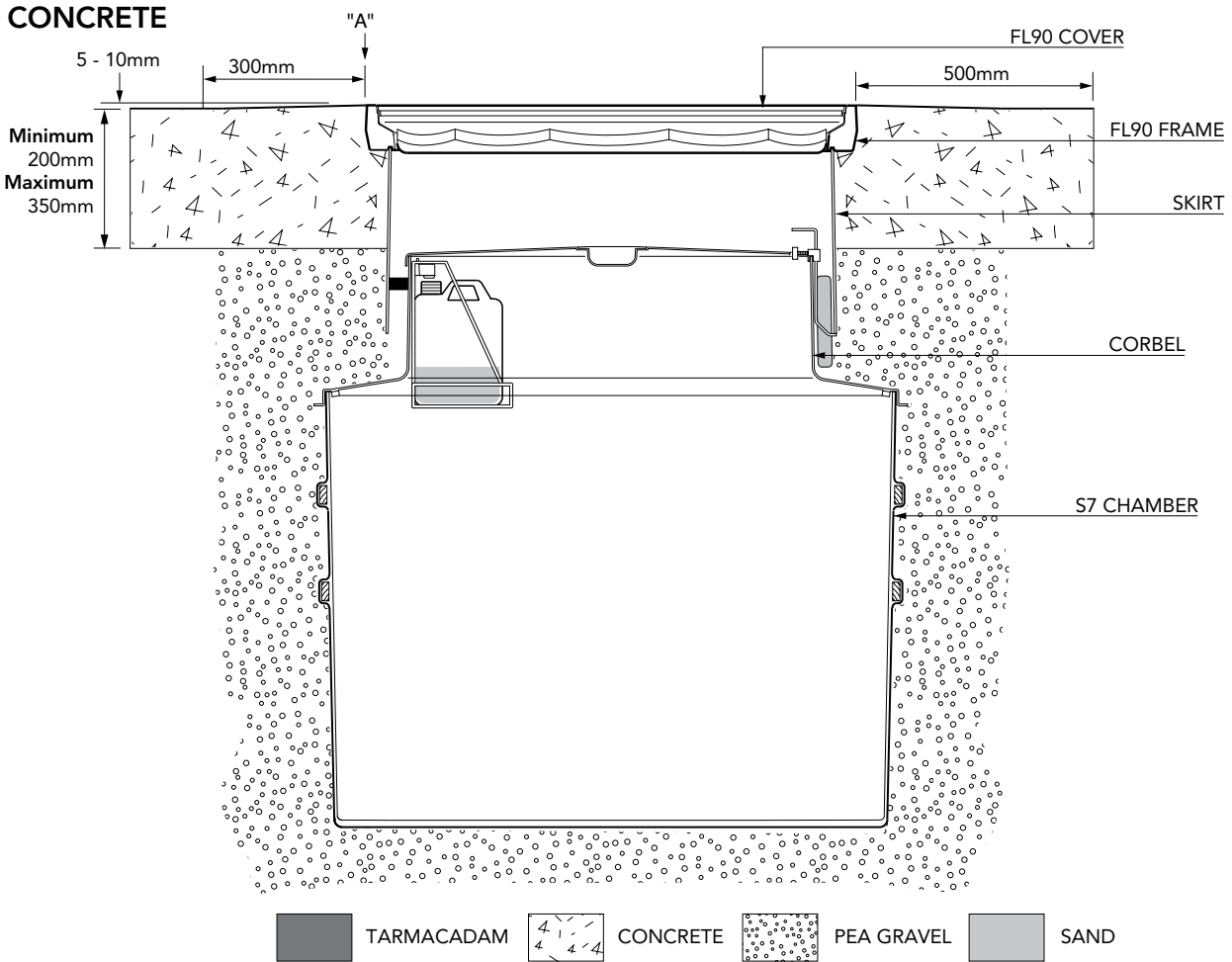
For reference purposes only. This drawing is not a specification. Order against product code only. To enable continuous improvement of our products, the designs and specifications are subject to change without notice.



PART OF OPW A DOVER COMPANY

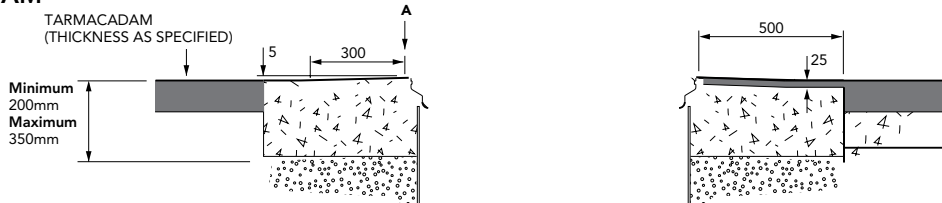
VERY IMPORTANT
 OUTER EDGE "A" OF FRAME SET 5 - 10MM
 ABOVE GENERAL FORECOURT AREA WITH
 CONCRETE RAMPED AWAY OVER 300MM.

TYPICAL INSTALLATION

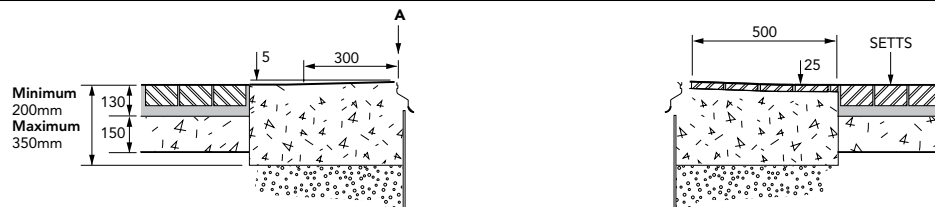


ALTERNATIVE INSTALLATION ADVICE

TARMACADAM



SETTS



1.2m square solid base chamber with a corbel and square 760mm flat sealed cover.

For reference purposes only. This drawing is not a specification. Order against product code only. To enable continuous improvement of our products, the designs and specifications are subject to change without notice.

