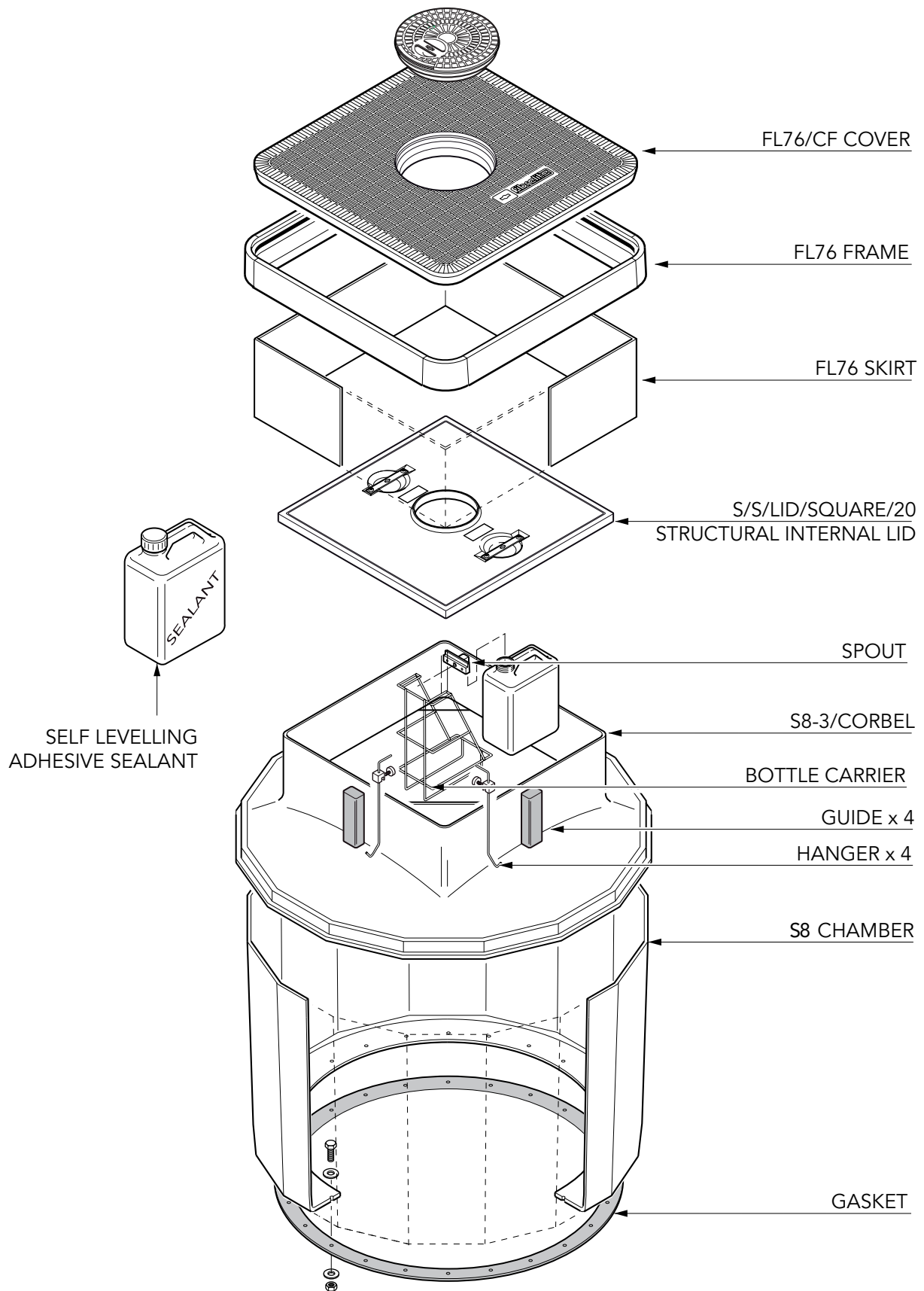


1.2m diameter chamber with a corbel, adjustable skirt and square 760mm flat sealed cover with central manul dip cover and frame. Round tank flange. Corbel/skirt sealkit.

For reference purposes only. This drawing is not a specification. Order against product code only. To enable continuous improvement of our products, the designs and specifications are subject to change without notice.

**FIBRELITE**   
PART OF OPW A DOVER COMPANY



1.2m diameter chamber with a corbel, adjustable skirt and square 760mm flat sealed cover with central manual dip cover and frame. Round tank flange. Corbel/skirt seal kit.

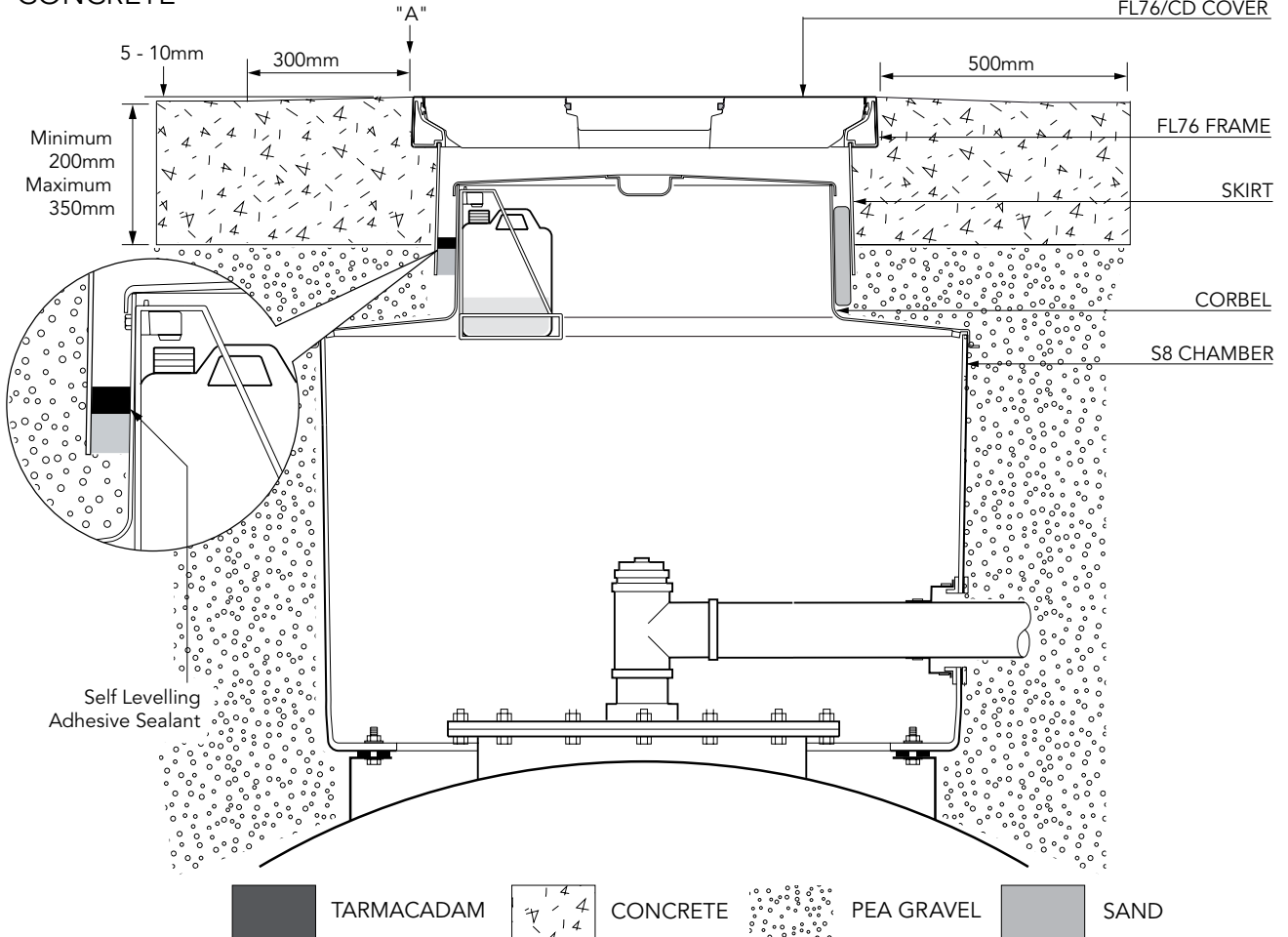
For reference purposes only. This drawing is not a specification. Order against product code only. To enable continuous improvement of our products, the designs and specifications are subject to change without notice.



**VERY IMPORTANT**  
**OUTER EDGE "A" OF FRAME SET 5 - 10MM**  
**ABOVE GENERAL FORECOURT AREA WITH**  
**CONCRETE RAMPED AWAY OVER 300MM.**

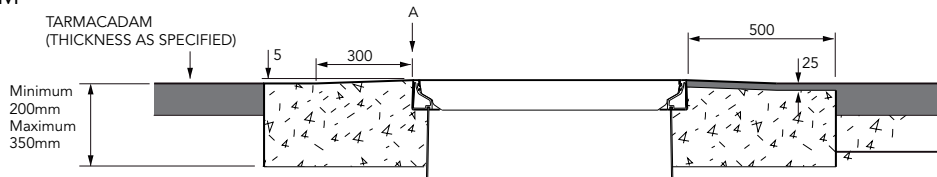
TYPICAL INS TALLATION

CONCRETE

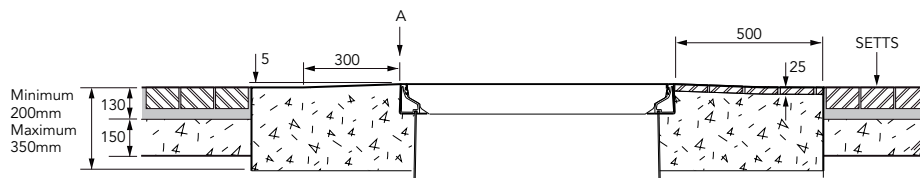


ALTERNATIVE INS TALLATION ADVIC E

TARMACADA M



SETTS



1.2m diameter chamber with a corbel, adjustable skirt and square 760mm flat sealed cover with central manul dip cover and frame. Round tank flange. Corbel/skirt sealkit.

For reference purposes only. This drawing is not a specification. Order against product code only. To enable continuous improvement of our products, the designs and specifications are subject to change without notice.

**FIBRELITE**   
 PART OF OPW A DOWER COMPANY

