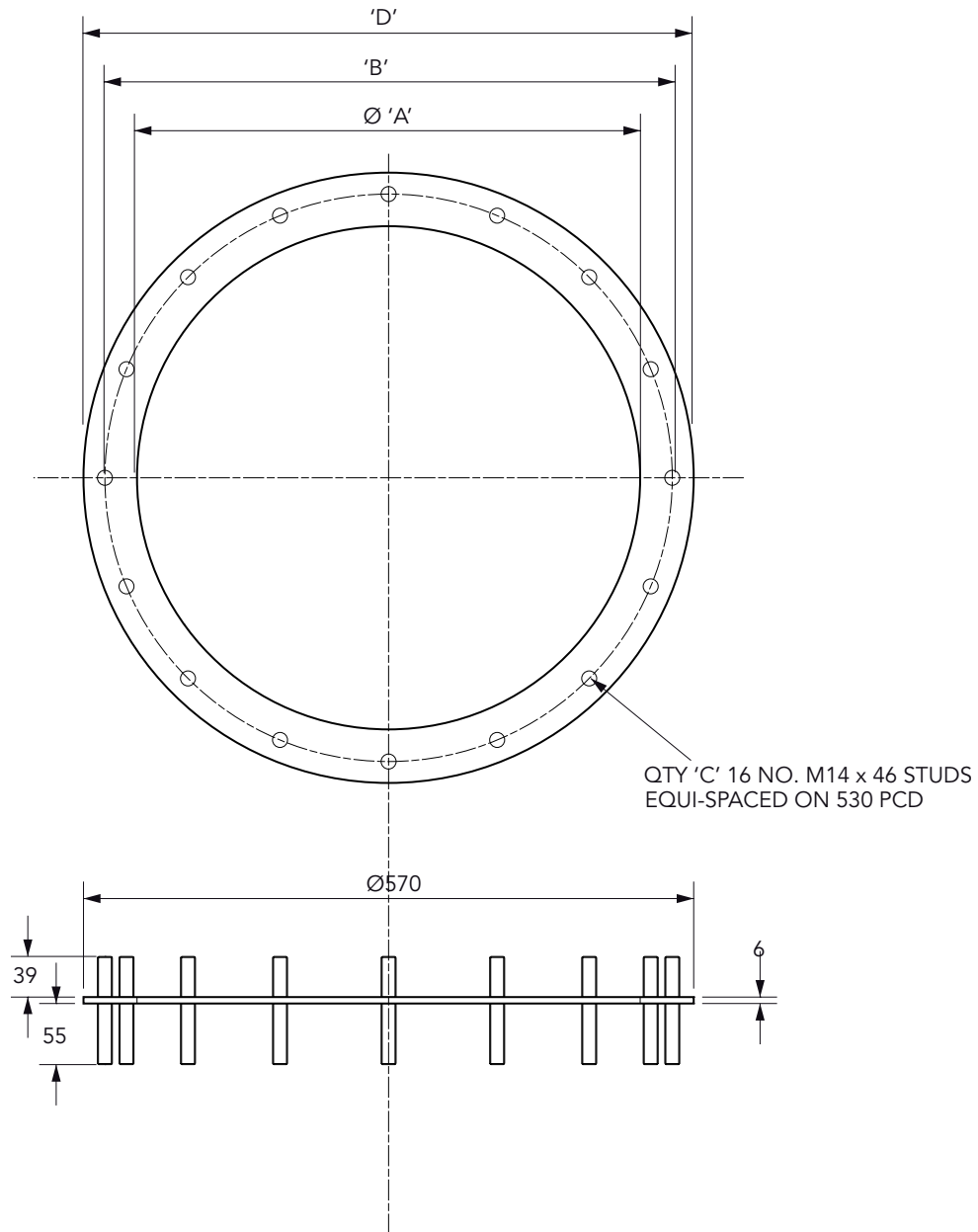


VERY IMPORTANT!
 THE LONGEST THREADED
 STUD MUST BE USED TO
 CONNECT THE ADAPTOR RING
 TO THE MANWAY FLANGE



Item	Nominal Size	Dimensions			
		A	B	C	D
1	460	470	527	20	570
2	460	470	530	16	572
3	600	600	680	24	720
4	600	600	680	28	720
5	600	600	680	32	720

MATERIAL:
STEEL ZINC PLATED