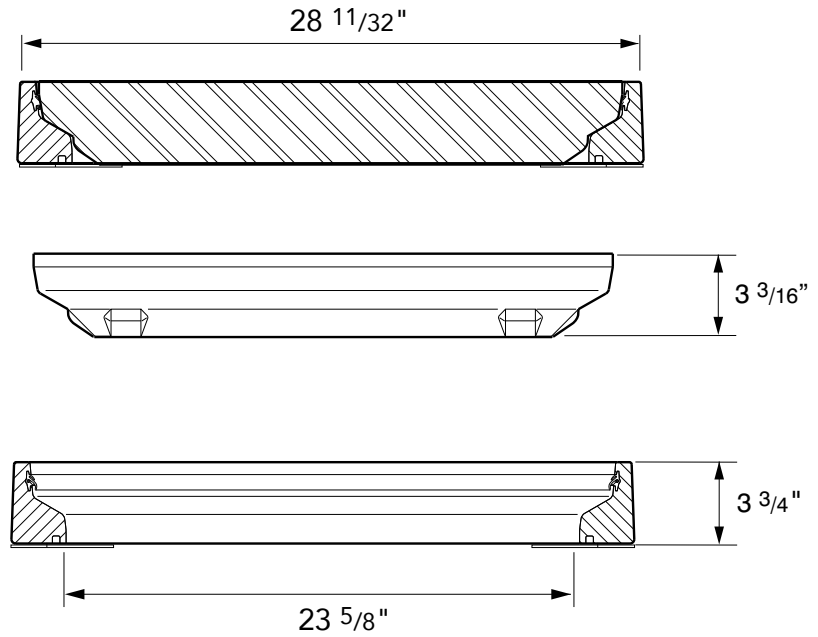
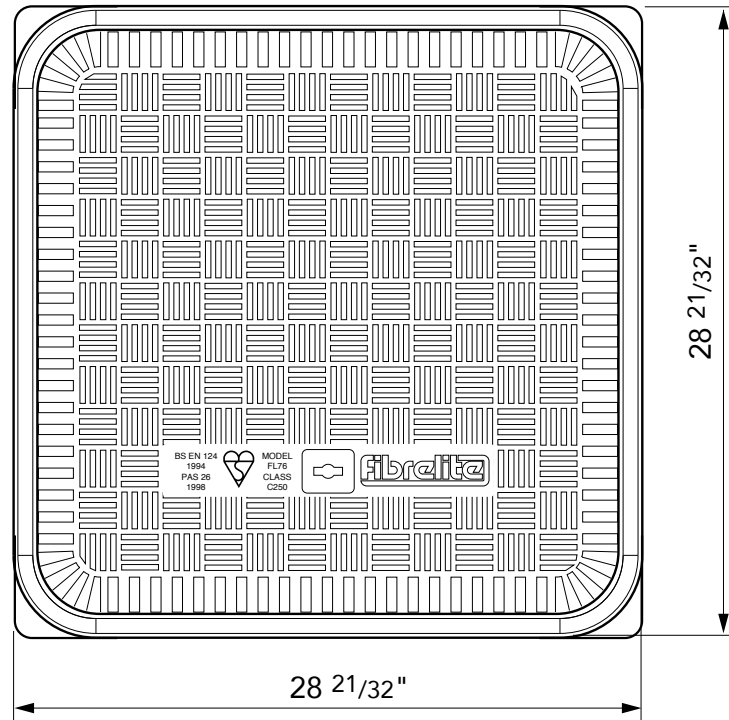


24" x 24" flat sealed composite cover with an aluminum frame.

For reference purposes only. This drawing is not a specification. Order against product code only. To enable continuous improvement of our products, the designs and specifications are subject to change without notice.

FIBRELITE 
PART OF OPW A  DOVER COMPANY



Load Rating	Cover Weight (lbs)	Frame Weight (lbs)
LD	26.5	24.2
SD	44.1	24.2
HD	52.9	24.2
SHD	72.8	24.2

24" x 24" flat sealed composite cover with an aluminum frame.

For reference purposes only. This drawing is not a specification. Order against product code only. To enable continuous improvement of our products, the designs and specifications are subject to change without notice.



CONCRETE

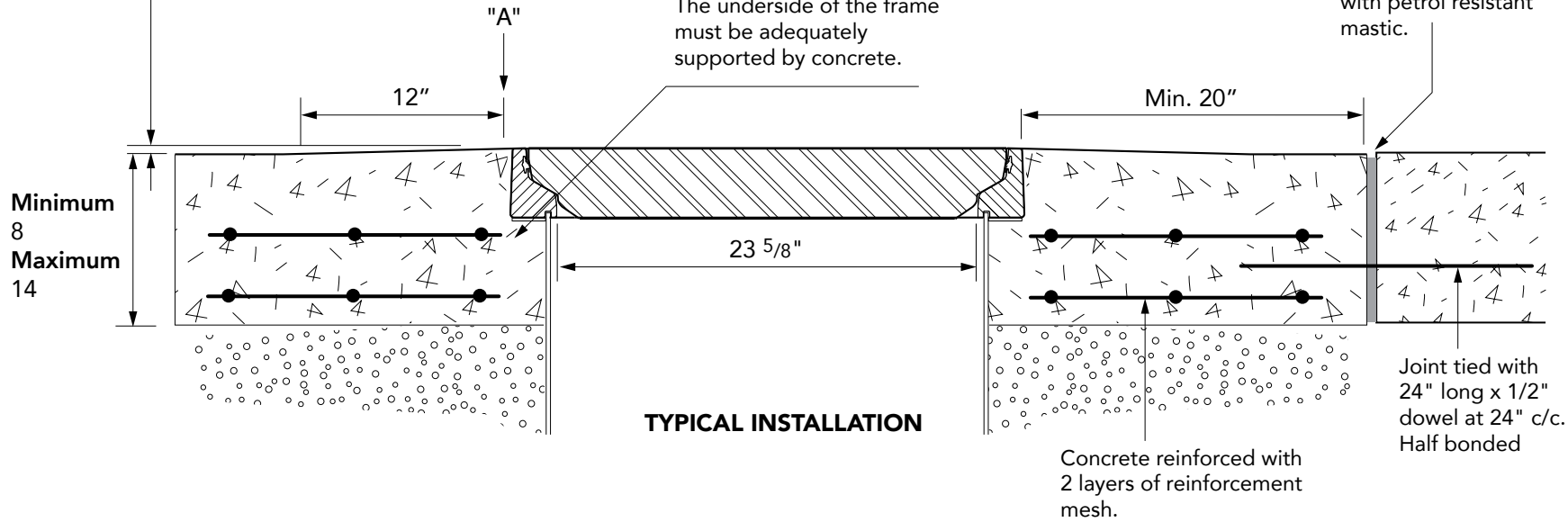
VERY IMPORTANT

OUTER EDGE "A" OF FRAME SET 1/4" ABOVE GENERAL GRADE AREA WITH CONCRETE RAMPED AWAY OVER 12"

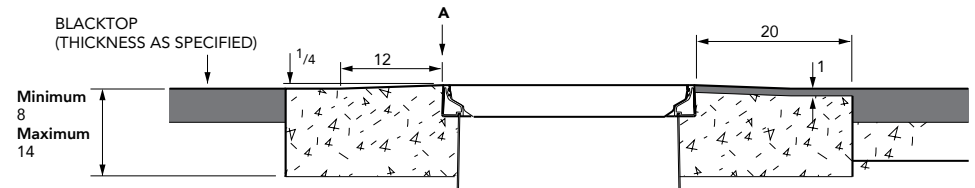
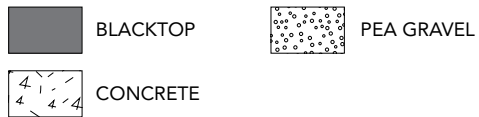
VERY IMPORTANT

The underside of the frame must be adequately supported by concrete.

Expansion joint filled with petrol resistant mastic.



BLACKTOP



24" x 24" flat sealed composite cover with an aluminum frame.

For reference purposes only. This drawing is not a specification. Order against product code only. To enable continuous improvement of our products, the designs and specifications are subject to change without notice.

