

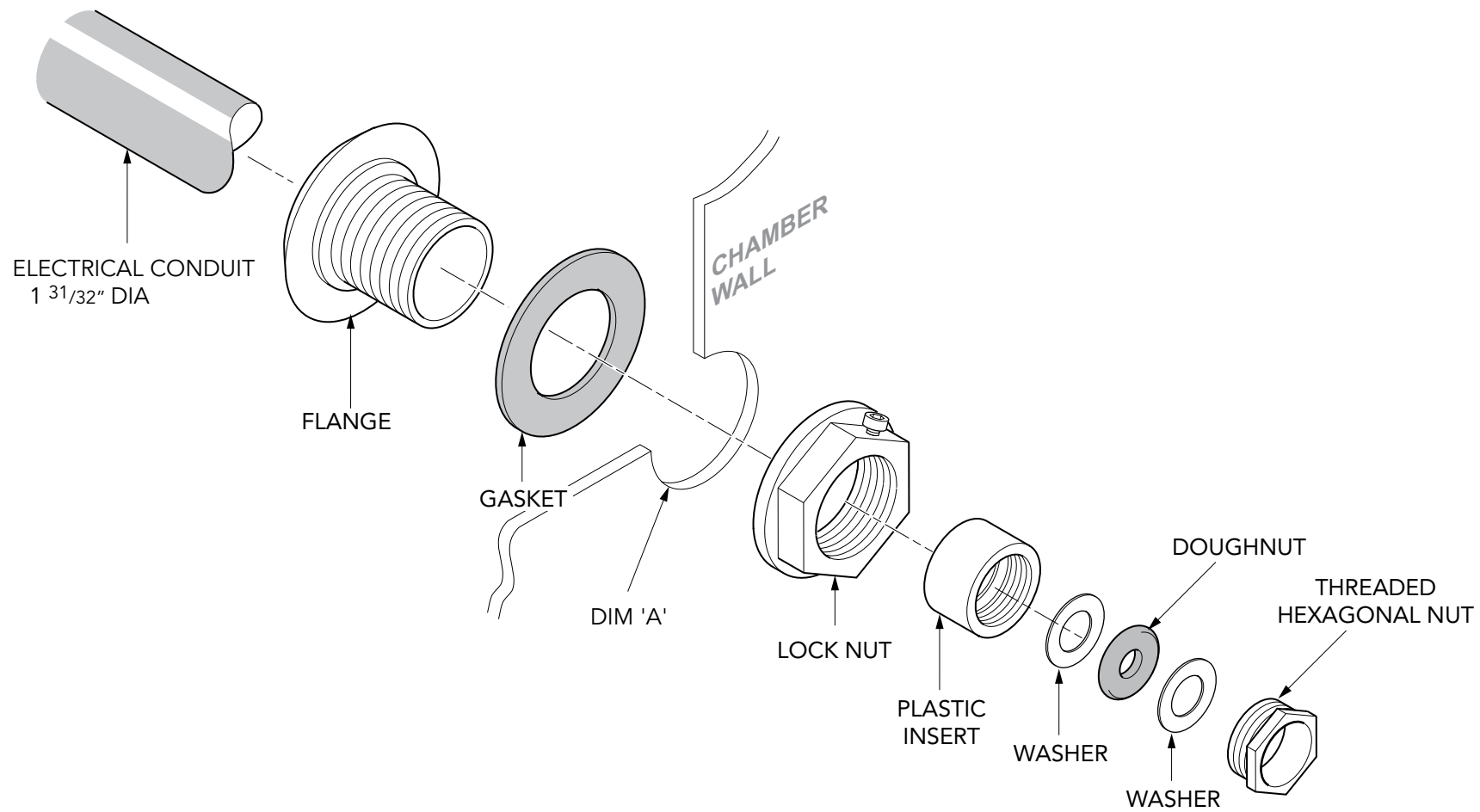
PRODUCT CODE	To fit Steel Conduit (internal dia. inches)	Hole Size Dim 'A' (dia. inches)
PEC2/50	1 1/2	2 7/8

PRODUCT CODE	To fit Semi-rigid Pipe (dia. inches)	Hole Size Dim 'A' (dia. inches)
PEC2/50	1 31/32	2 7/8

Grounding cable sealkit, designed to fit 1.5" steel conduit or 50mm dia. semi rigid plastic pipe
1 hole fits 1 cable 11/32" - 25/32" dia. 3 hole fits 3 cables 3/16"- 5/16" dia

For reference purposes only. This drawing is not a specification. Order against product code only. To enable continuous improvement of our products, the designs and specifications are subject to change without notice.

FIBRELITE 
PART OF OPW A  COMPANY

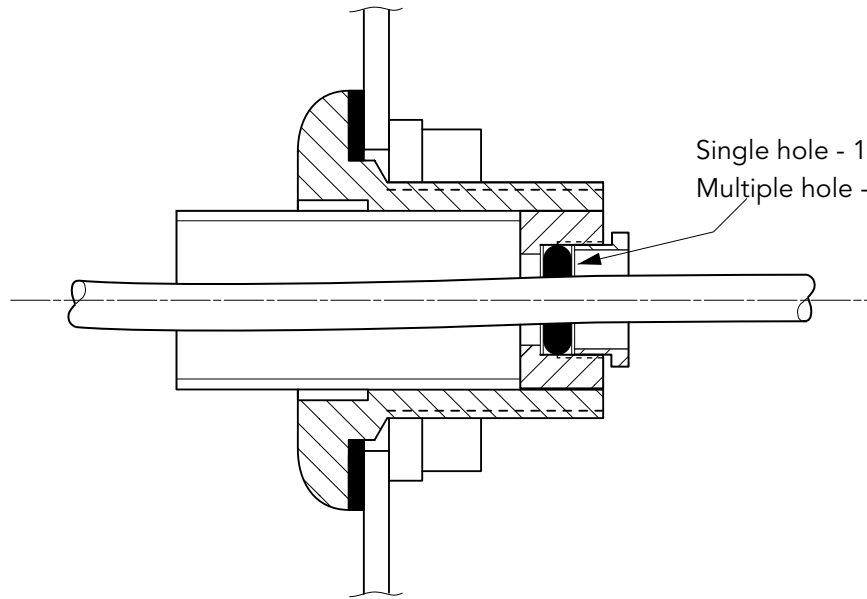
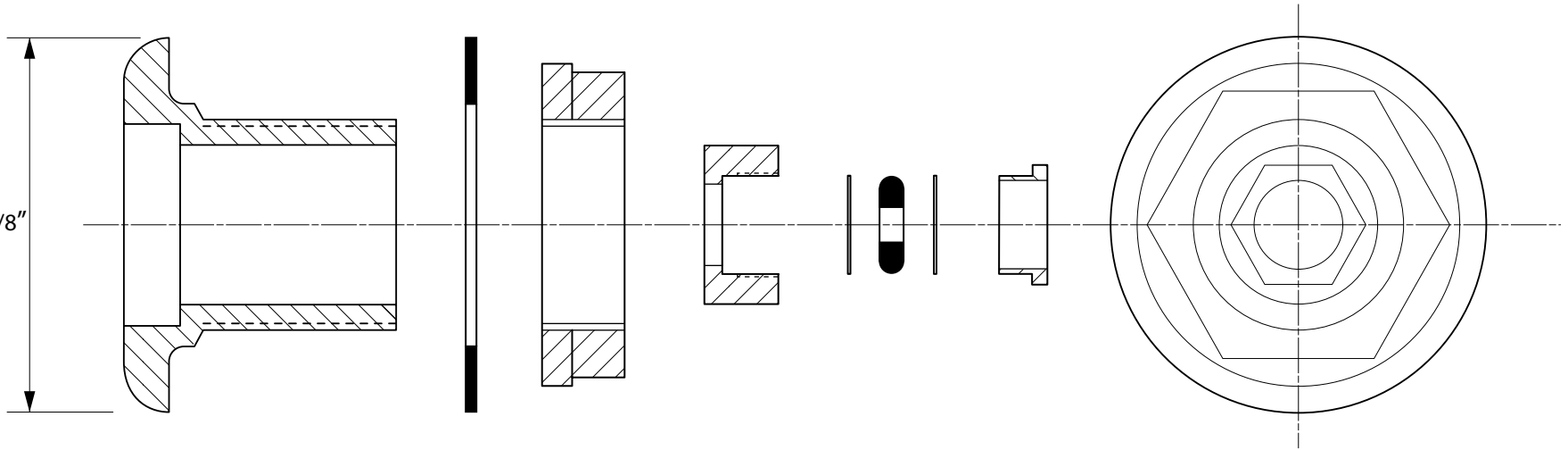


Grounding cable sealkit, designed to fit 1.5" steel conduit or 50mm dia. semi rigid plastic pipe
 1 hole fits 1 cable 11/32" - 25/32" dia. 3 hole fits 3 cables 3/16" - 5/16" dia

For reference purposes only. This drawing is not a specification. Order against product code only. To enable continuous improvement of our products, the designs and specifications are subject to change without notice.

FIBRELITE 
 PART OF OPW A  COMPANY

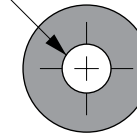
4 1/8"



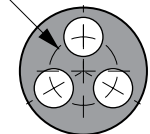
Single hole - 1 cable 11/32" to 25/32" dia.
Multiple hole - 3 cables 3/16" to 5/16" dia.

1 No. hole
Ø11/32" - Ø25/32"

3 No. holes
Ø5/16" - Ø5/16"
on 14PCD



Standard Doughnut



Multiple Doughnut

Grounding cable sealkit, designed to fit 1.5" steel conduit or 50mm dia. semi rigid plastic pipe
1 hole fits 1 cable 11/32" - 25/32" dia. 3 hole fits 3 cables 3/16" - 5/16" dia

For reference purposes only. This drawing is not a specification. Order against product code only. To enable continuous improvement of our products, the designs and specifications are subject to change without notice.

FIBRELITE 
PART OF OPW A DOVER COMPANY