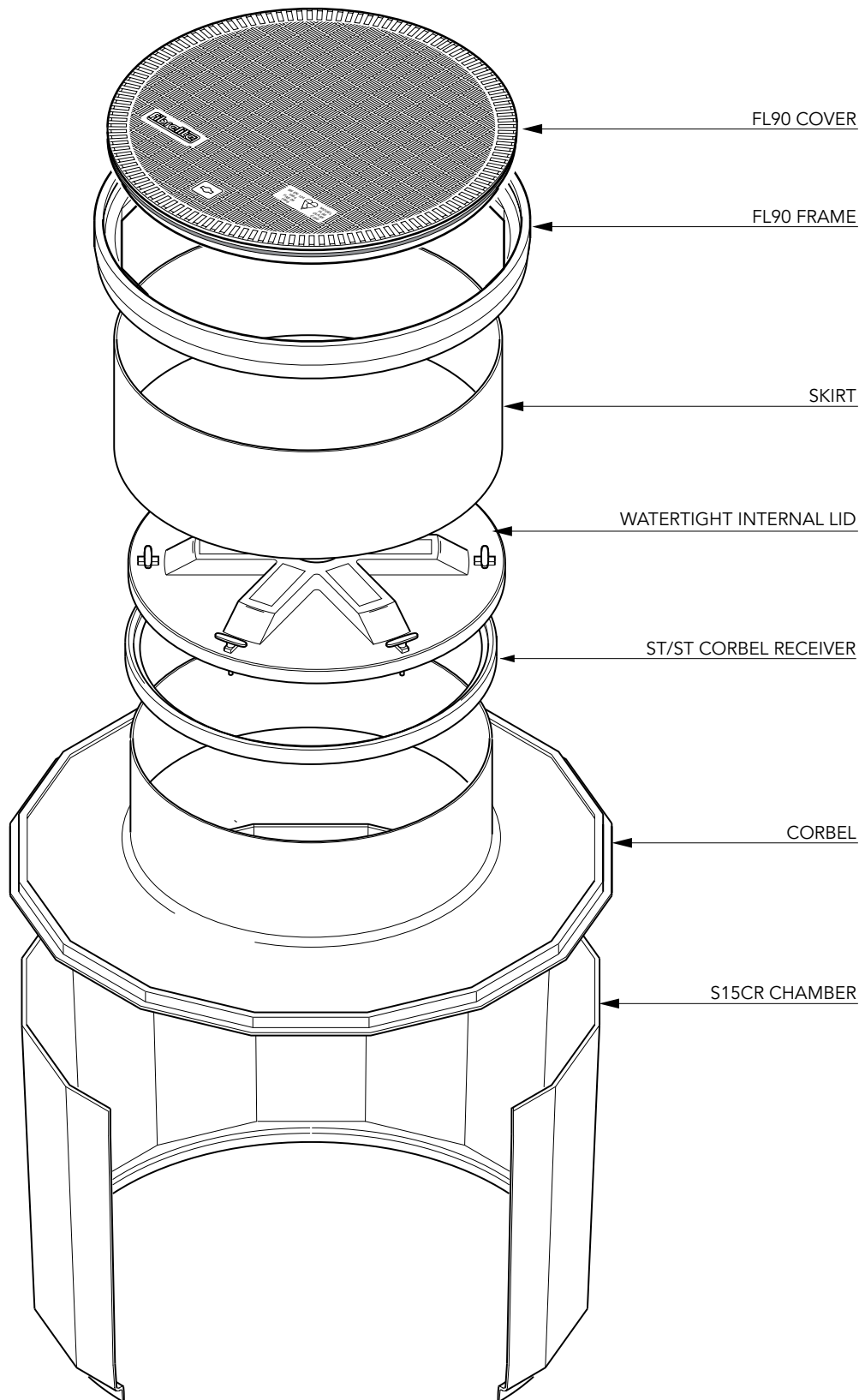


57" dia. FRP sump with 54" tank collar ring connection, corbel, skirt, watertight internal lid, 36" dia. flat cover and composite frame.

For reference purposes only. This drawing is not a specification. Order against product code only. To enable continuous improvement of our products, the designs and specifications are subject to change without notice.

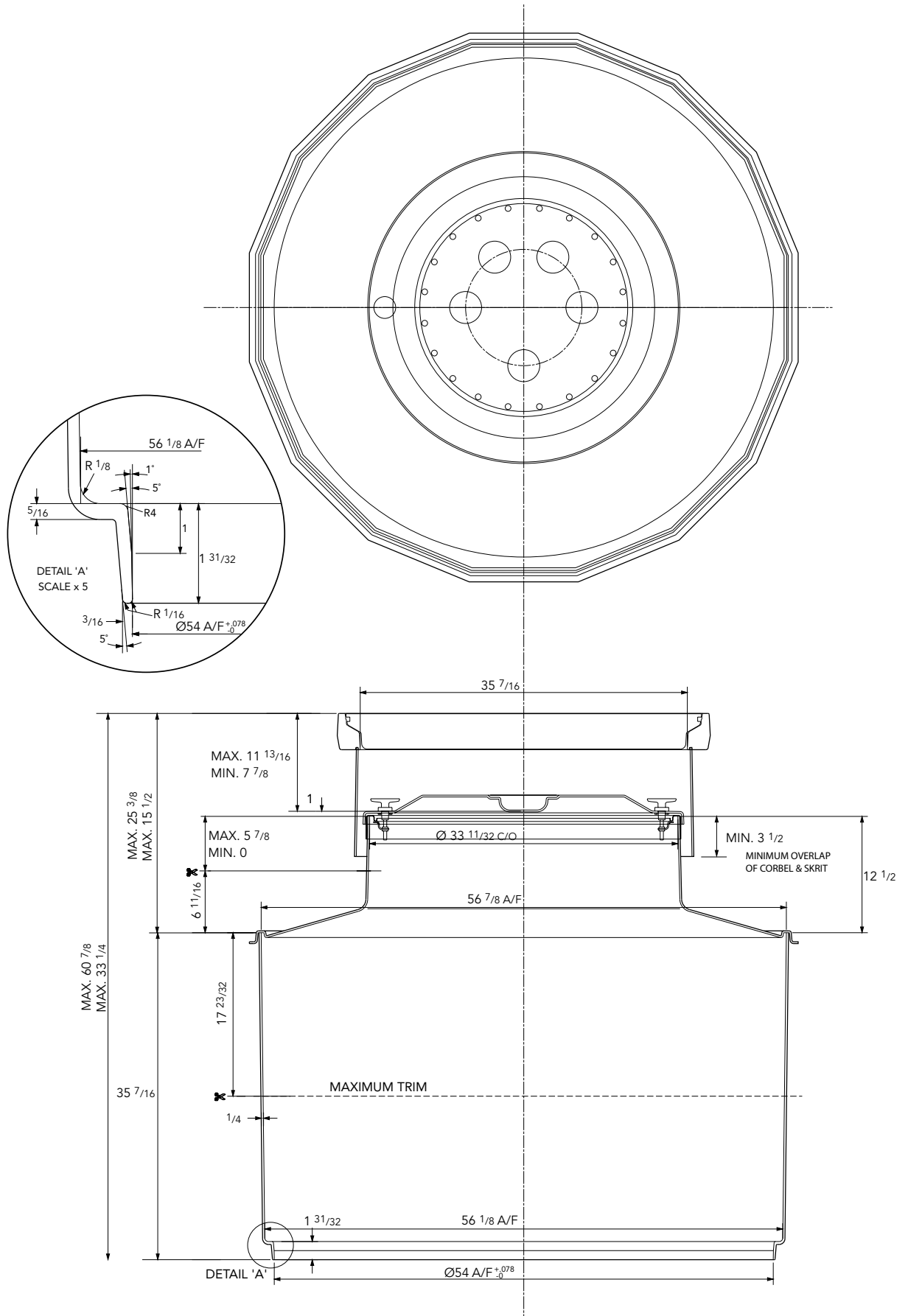
FIBRELITE 
PART OF OPW A DOVER COMPANY



57" dia. FRP sump with 54" tank collar ring connection, corbel, skirt, watertight internal lid, 36" dia. flat cover and composite frame.

For reference purposes only. This drawing is not a specification. Order against product code only. To enable continuous improvement of our products, the designs and specifications are subject to change without notice.

FIBRELITE 
 PART OF OPW A DOVER COMPANY



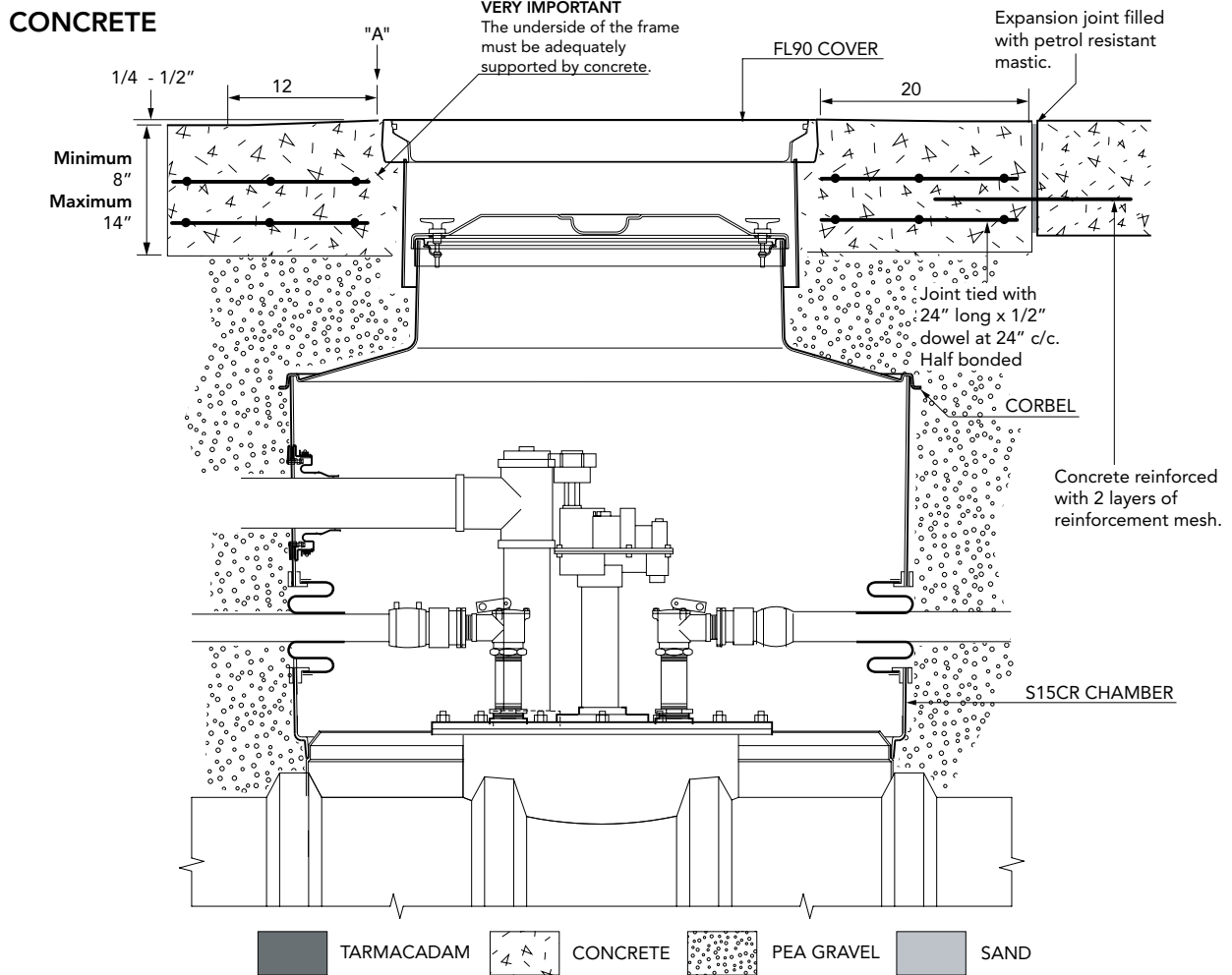
57" dia. FRP sump with 54" tank collar ring connection, corbel, skirt, watertight internal lid, 36" dia. flat cover and composite frame.

For reference purposes only. This drawing is not a specification. Order against product code only. To enable continuous improvement of our products, the designs and specifications are subject to change without notice.

FIBRELITE 
PART OF OPW A DOWDER COMPANY

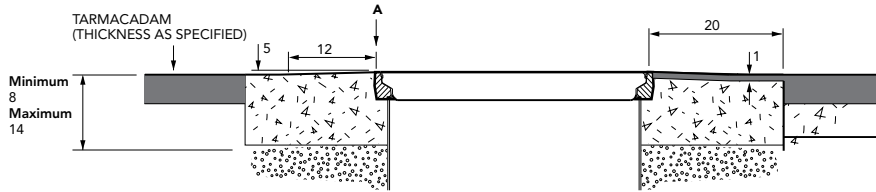
VERY IMPORTANT
 OUTER EDGE "A" OF FRAME SET 1/4 - 1/2" ABOVE GENERAL GRADE AREA WITH CONCRETE RAMPED AWAY OVER 12".

TYPICAL INSTALLATION

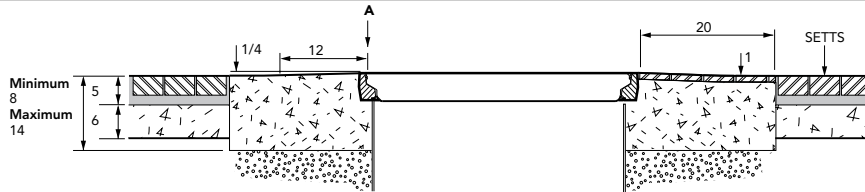


ALTERNATIVE INSTALLATION ADVICE

BLACKTOP



SETTS



57" dia. FRP sump with 54" tank collar ring connection, corbel, skirt, watertight internal lid, 36" dia. flat cover and composite frame.

For reference purposes only. This drawing is not a specification. Order against product code only. To enable continuous improvement of our products, the designs and specifications are subject to change without notice.

