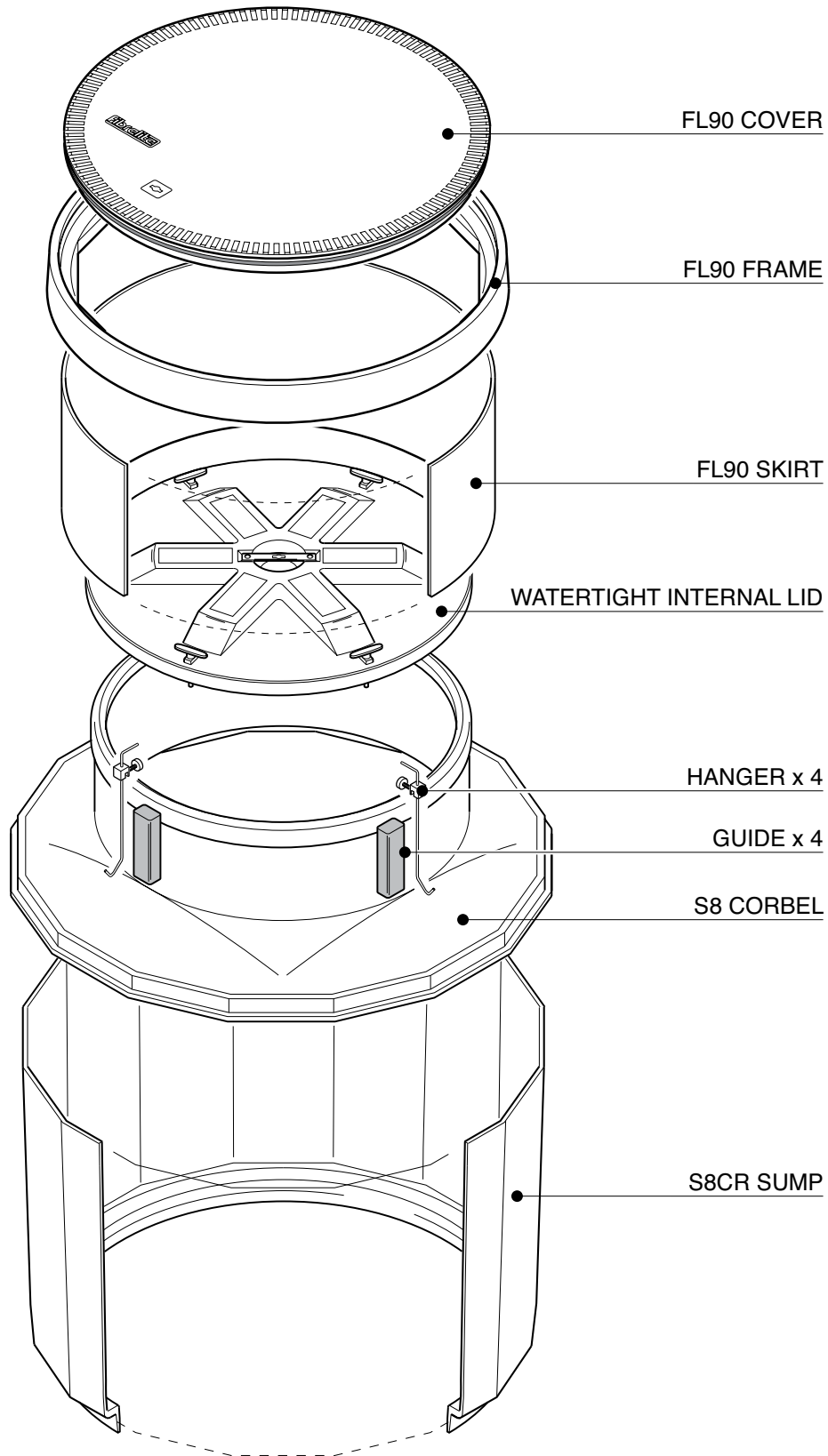


Watertight FRP sumps to fit 42" tank collar, corbel, watertight inner lid and 36" watertight, flat sealed manhole cover.

For reference purposes only. This drawing is not a specification. Order against product code only. To enable continuous improvement of our products, the designs and specifications are subject to change without notice.

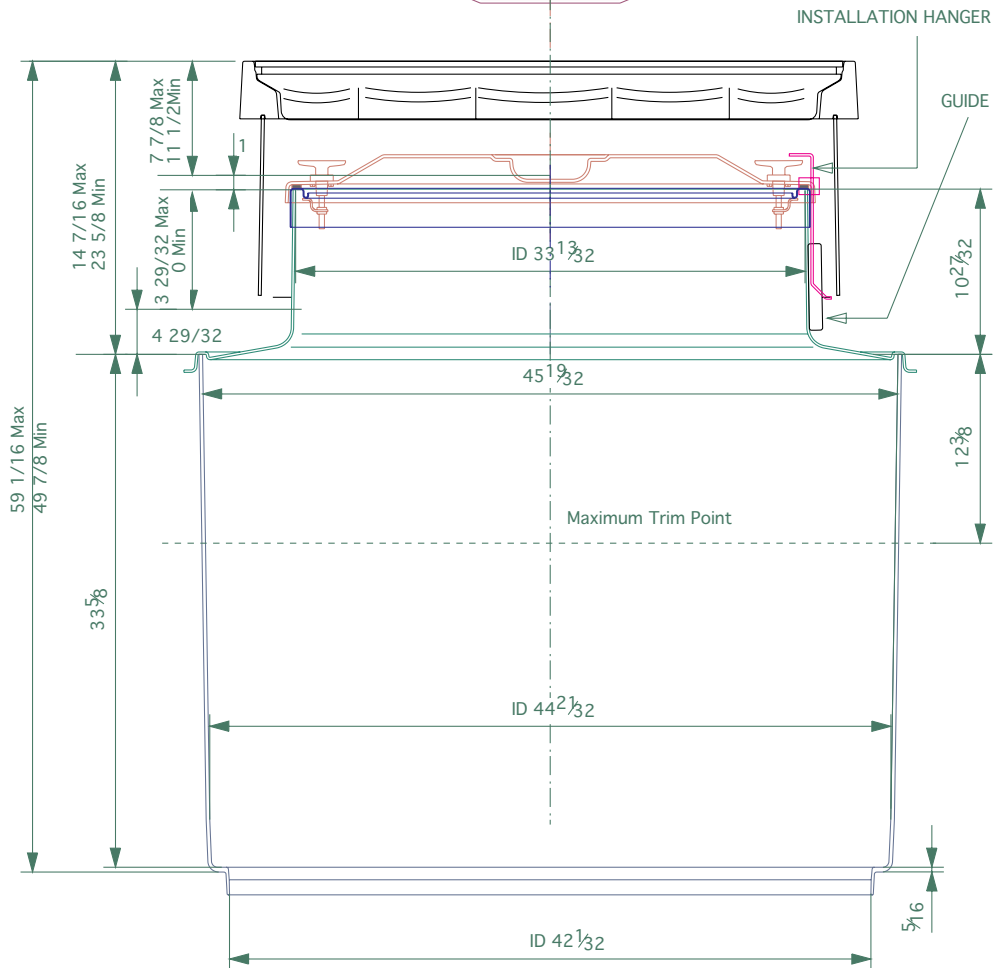
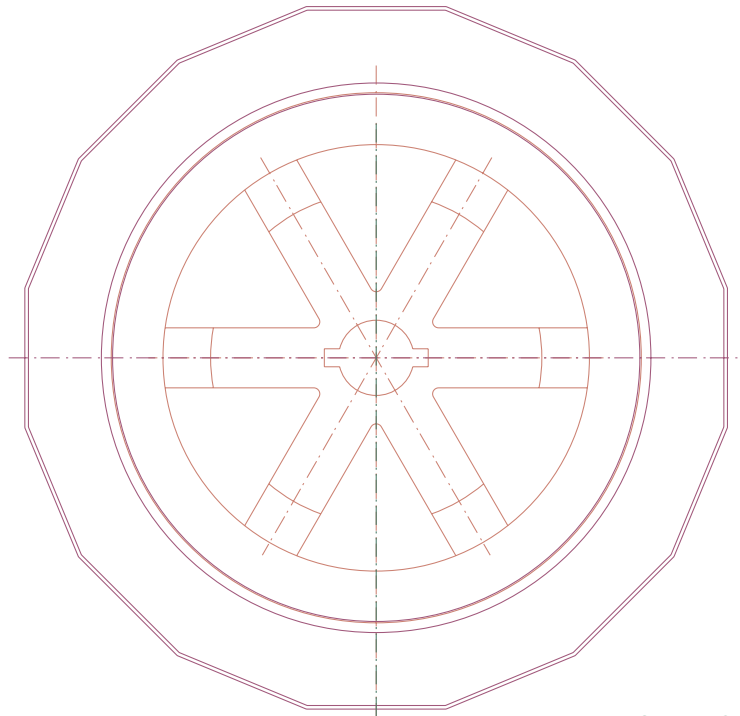
FIBRELITE 
PART OF OPW A DOVER COMPANY



Watertight FRP sumps to fit 42" tank collar, corbel, watertight inner lid and 36" watertight, flat sealed manhole cover.

For reference purposes only. This drawing is not a specification. Order against product code only. To enable continuous improvement of our products, the designs and specifications are subject to change without notice.

FIBRELITE 
PART OF OPW A DOVER COMPANY



Watertight FRP sumps to fit 42" tank collar, corbel, watertight inner lid and 36" watertight, flat sealed manhole cover.

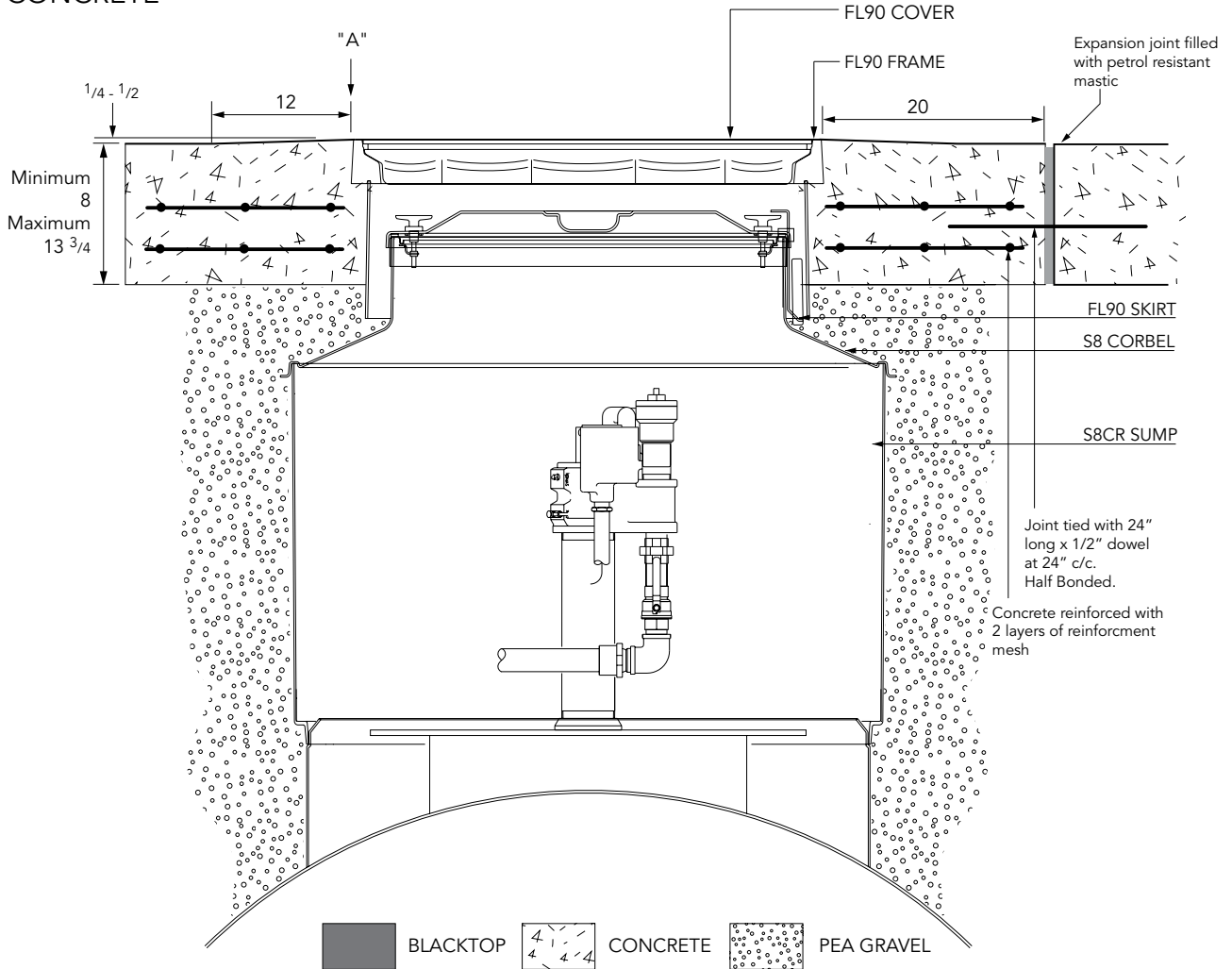
For reference purposes only. This drawing is not a specification. Order against product code only. To enable continuous improvement of our products, the designs and specifications are subject to change without notice.

FIBRELITE 
PART OF OPW A DOWDER COMPANY

VERY IMPORTANT
 OUTER EDGE "A" OF FRAME SET $1/4 - 1/2$ "
 ABOVE GENERAL GRADE AREA WITH
 CONCRETE RAMPED AWAY OVER 12".

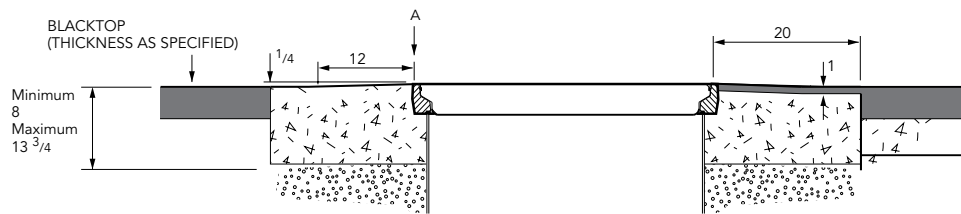
TYPICAL INSTALLATION

CONCRETE



ALTERNATIVE INSTALLATION ADVICE

BLACKTOP



Watertight FRP sumps to fit 42" tank collar, corbel, watertight inner lid and 36" watertight, flat sealed manhole cover.

For reference purposes only. This drawing is not a specification. Order against product code only. To enable continuous improvement of our products, the designs and specifications are subject to change without notice.

