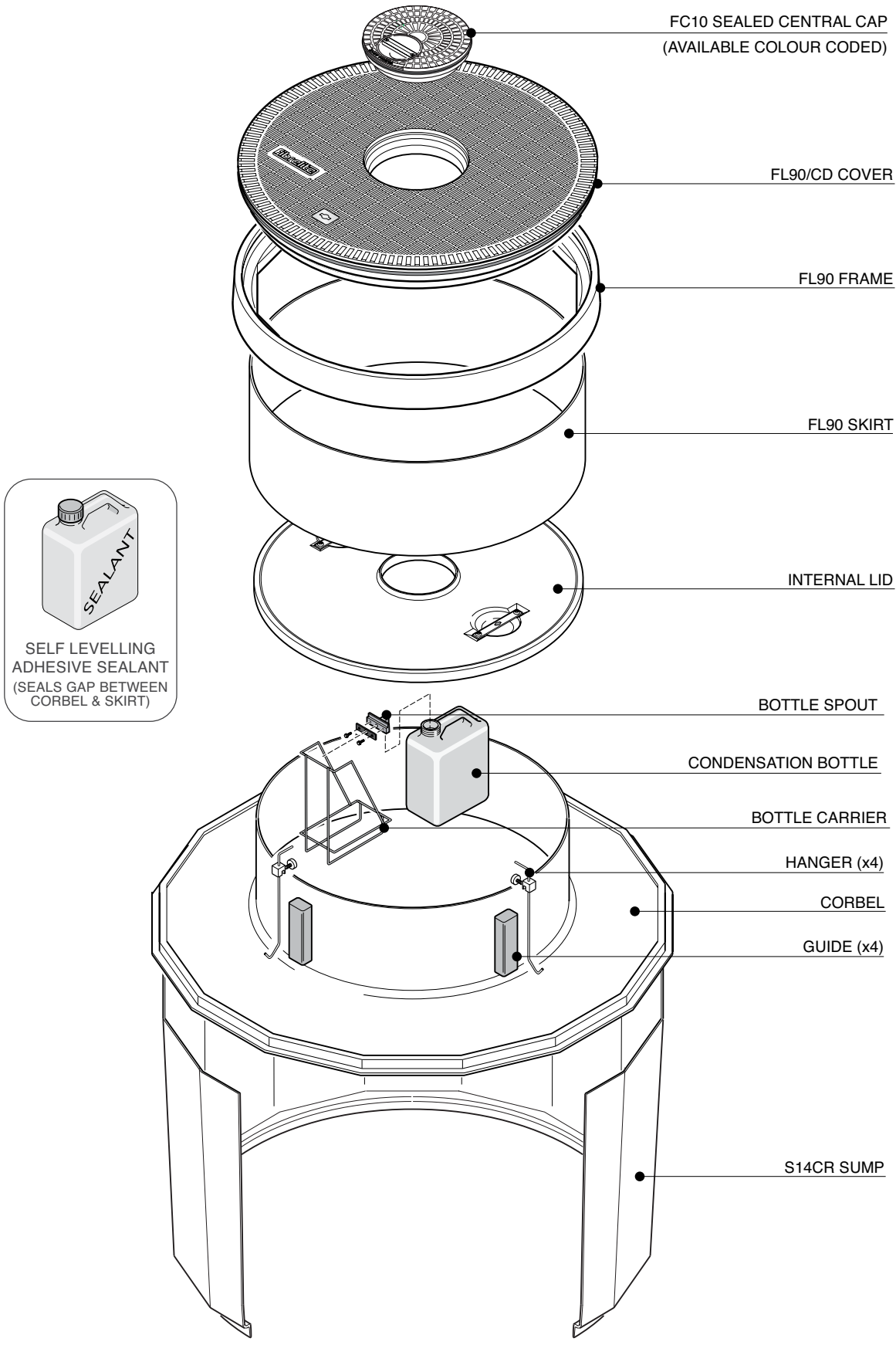


1.2m diameter sump to fit 1.2m collar ring, with corbel, internal lid, adjustable skirt and round 900mm flat sealed cover, corbel/skirt sealkit with condensation bottle and fixing kit.

For reference purposes only. This drawing is not a specification. Order against product code only. To enable continuous improvement of our products, the designs and specifications are subject to change without notice.

**FIBRELITE**   
PART OF OPW A DOVER COMPANY



FC10 SEALED CENTRAL CAP  
(AVAILABLE COLOUR CODED)

FL90/CD COVER

FL90 FRAME

FL90 SKIRT

INTERNAL LID

BOTTLE SPOUT

CONDENSATION BOTTLE

BOTTLE CARRIER

HANGER (x4)

CORBEL

GUIDE (x4)

S14CR SUMP

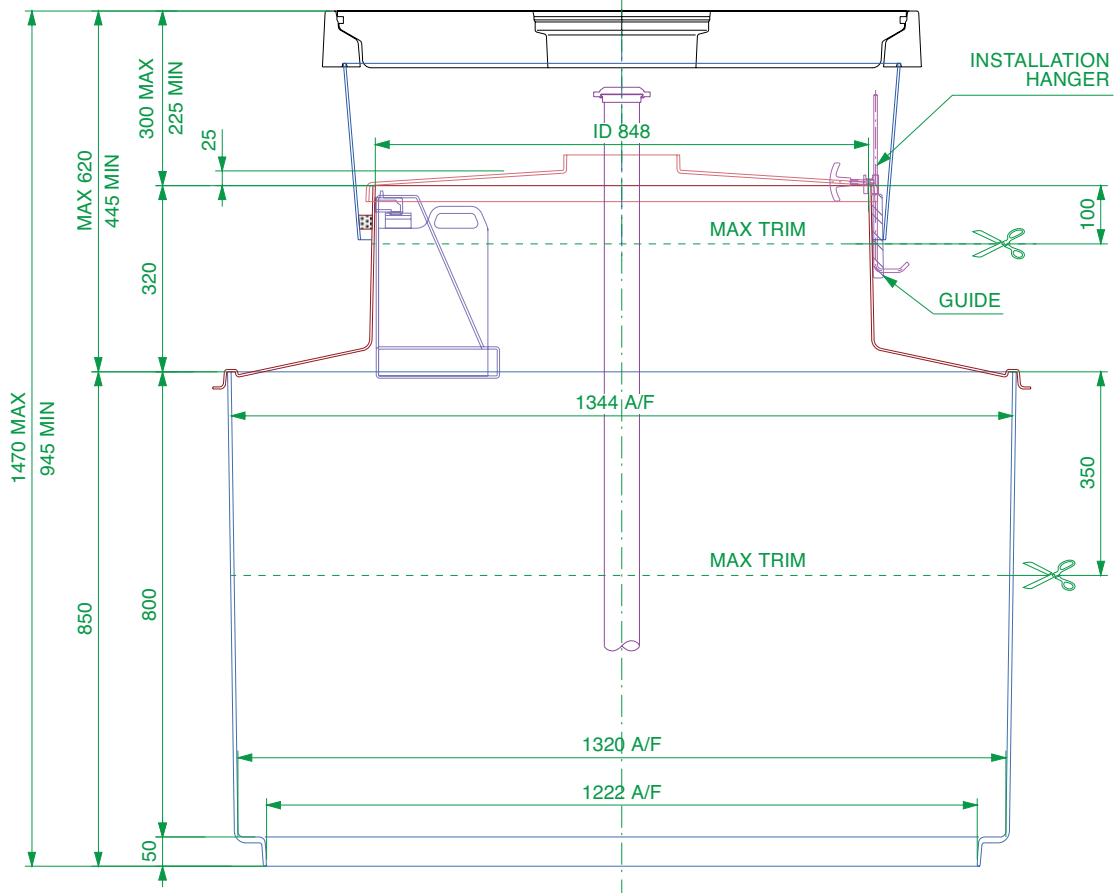
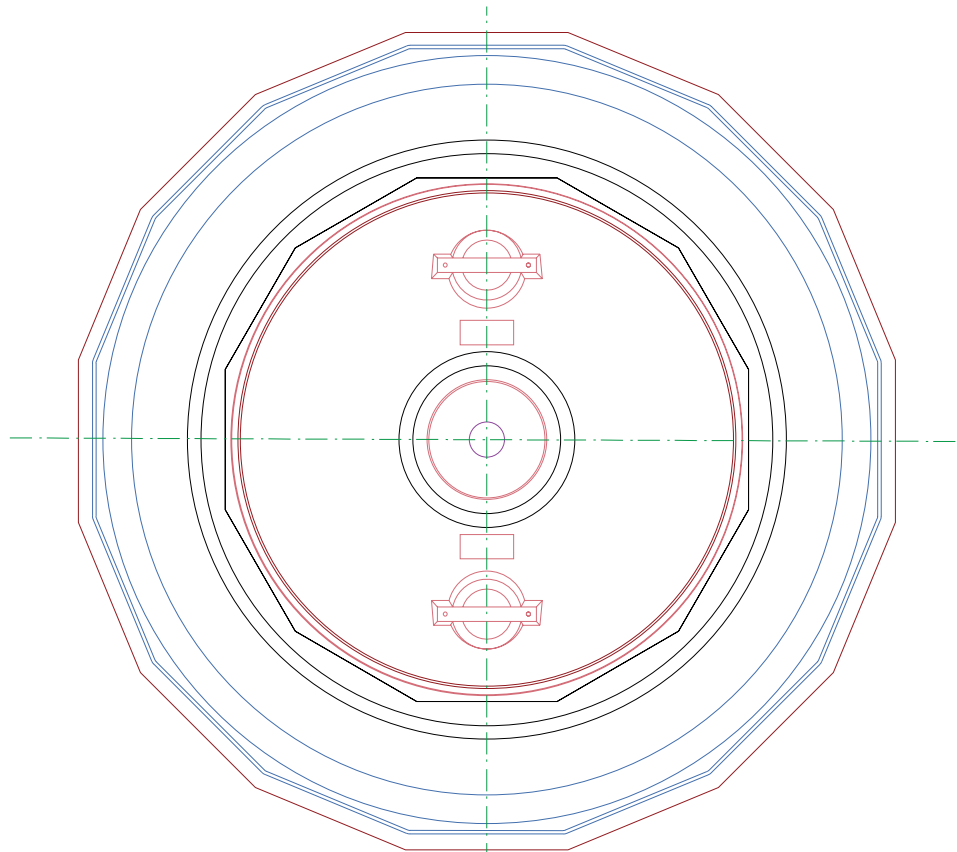


SELF LEVELLING  
ADHESIVE SEALANT  
(SEALS GAP BETWEEN  
CORBEL & SKIRT)

1.2m diameter sump to fit 1.2m collar ring, with corbel, internal lid, adjustable skirt and round 900mm flat sealed cover, corbel/skirt seakit with condensation bottle and fixing kit.

For reference purposes only. This drawing is not a specification. Order against product code only. To enable continuous improvement of our products, the designs and specifications are subject to change without notice.





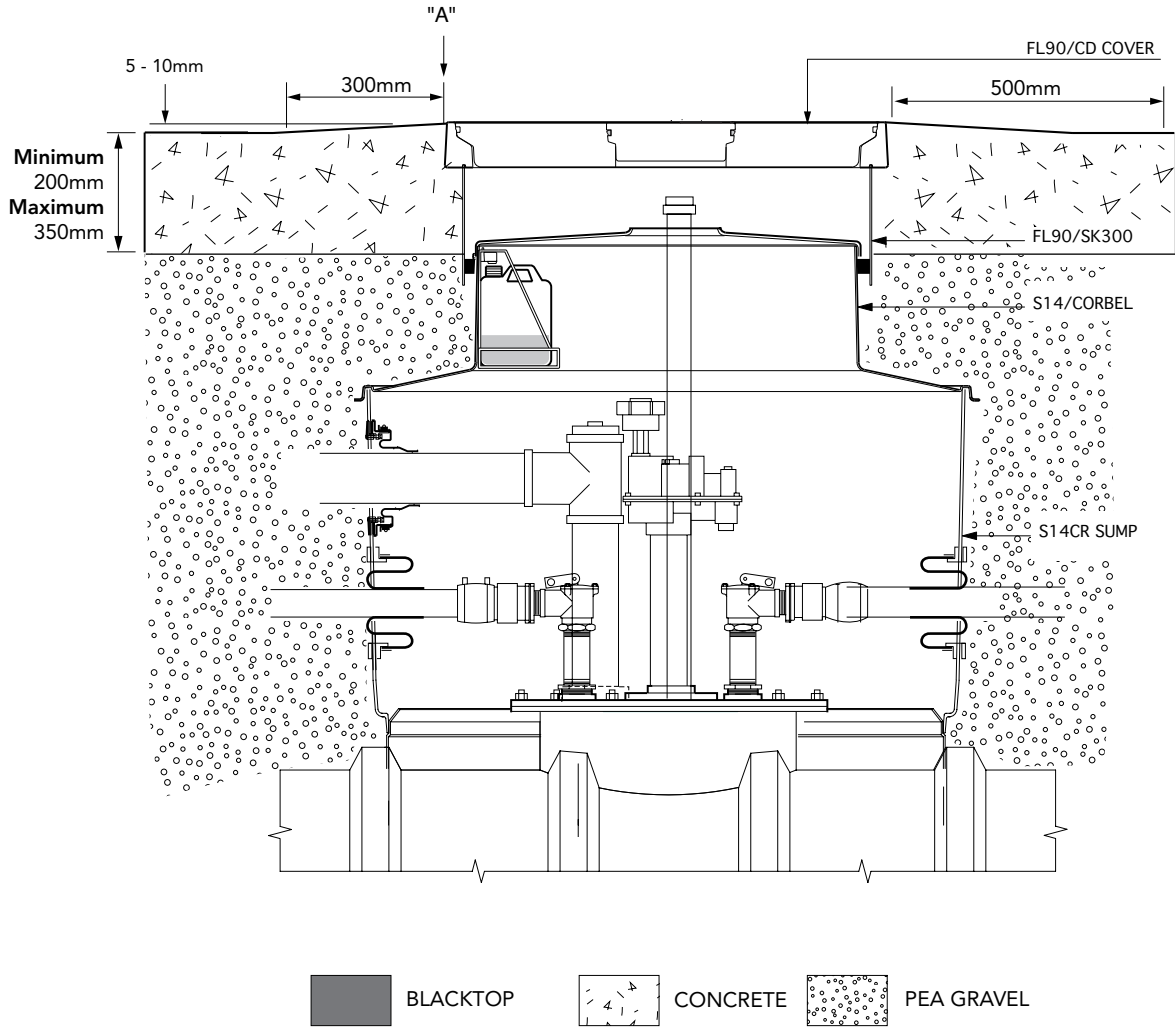
1.2m diameter sump to fit 1.2m collar ring, with corbel, internal lid, adjustable skirt and round 900mm flat sealed cover, corbel/skirt sealkit with condensation bottle and fixing kit.

For reference purposes only. This drawing is not a specification. Order against product code only. To enable continuous improvement of our products, the designs and specifications are subject to change without notice.

**FIBRELITE**   
PART OF OPW A DOWER COMPANY

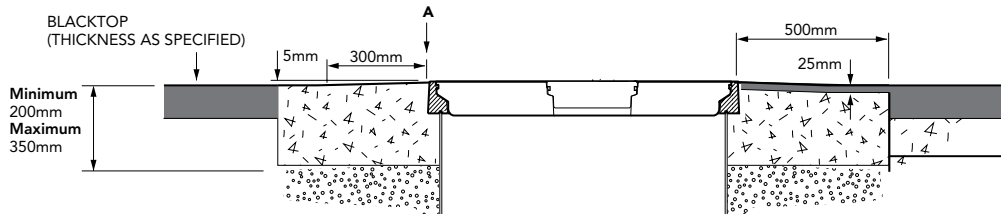
**VERY IMPORTANT**  
 OUTER EDGE "A" OF FRAME SET 5 -10mm  
 ABOVE GENERAL GRADE AREA WITH  
 CONCRETE RAMPED AWAY OVER 300mm.

**TYPICAL INSTALLATION**



**ALTERNATIVE INSTALLATION ADVICE**

**BLACKTOP**



1.2m diameter sump to fit 1.2m collar ring, with corbel, internal lid, adjustable skirt and round 900mm flat sealed cover, corbel/skirt sealkit with condensation bottle and fixing kit.

For reference purposes only. This drawing is not a specification. Order against product code only. To enable continuous improvement of our products, the designs and specifications are subject to change without notice.

**FIBRELITE**   
 PART OF OPW A DOVER COMPANY