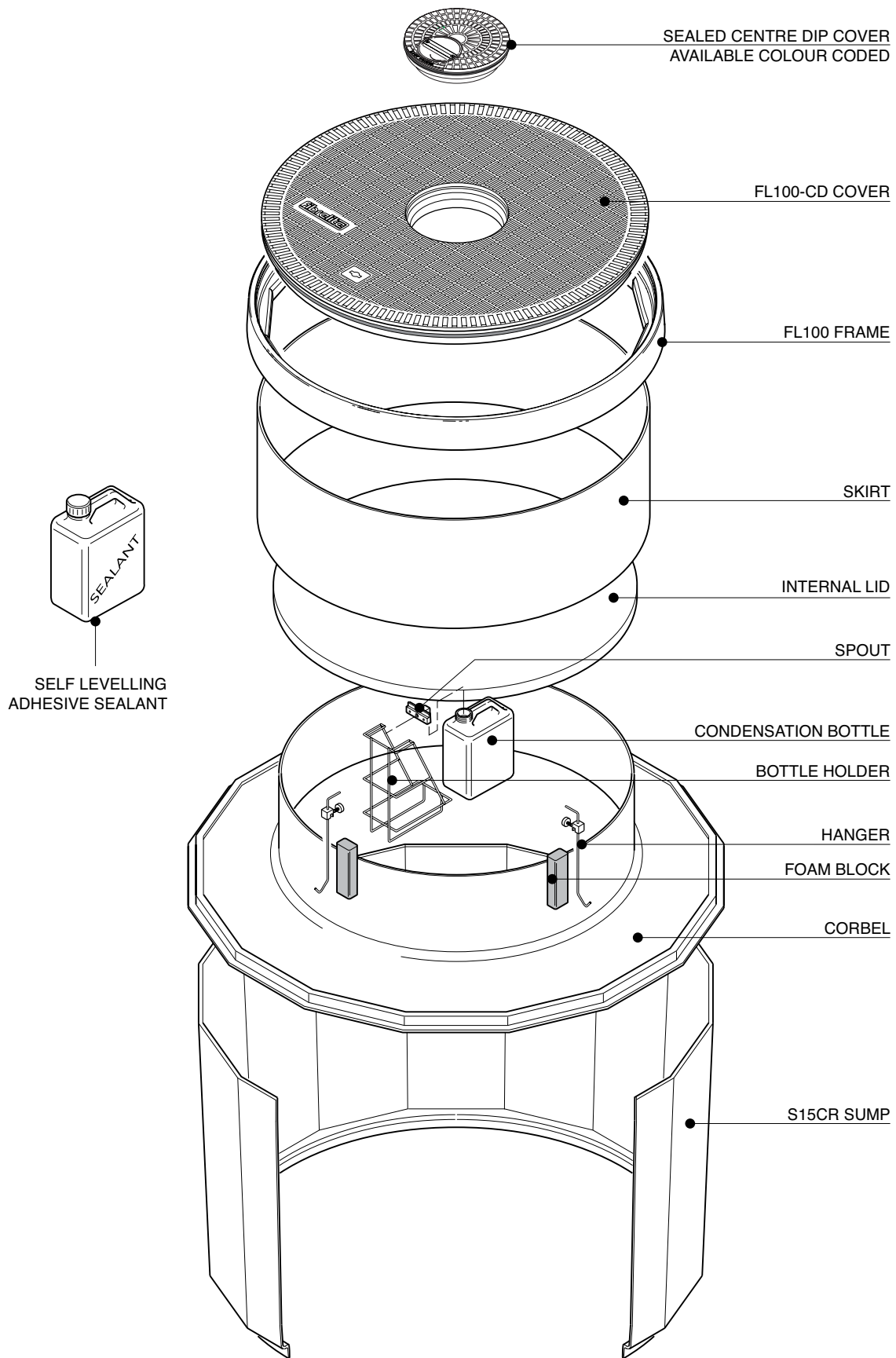


1.45m diameter sump with collar ring, corbel, internal lid, adjustable height skirt and round 1020mm flat sealed cover with an centre dip cover and frame.

For reference purposes only. This drawing is not a specification. Order against product code only. To enable continuous improvement of our products, the designs and specifications are subject to change without notice.

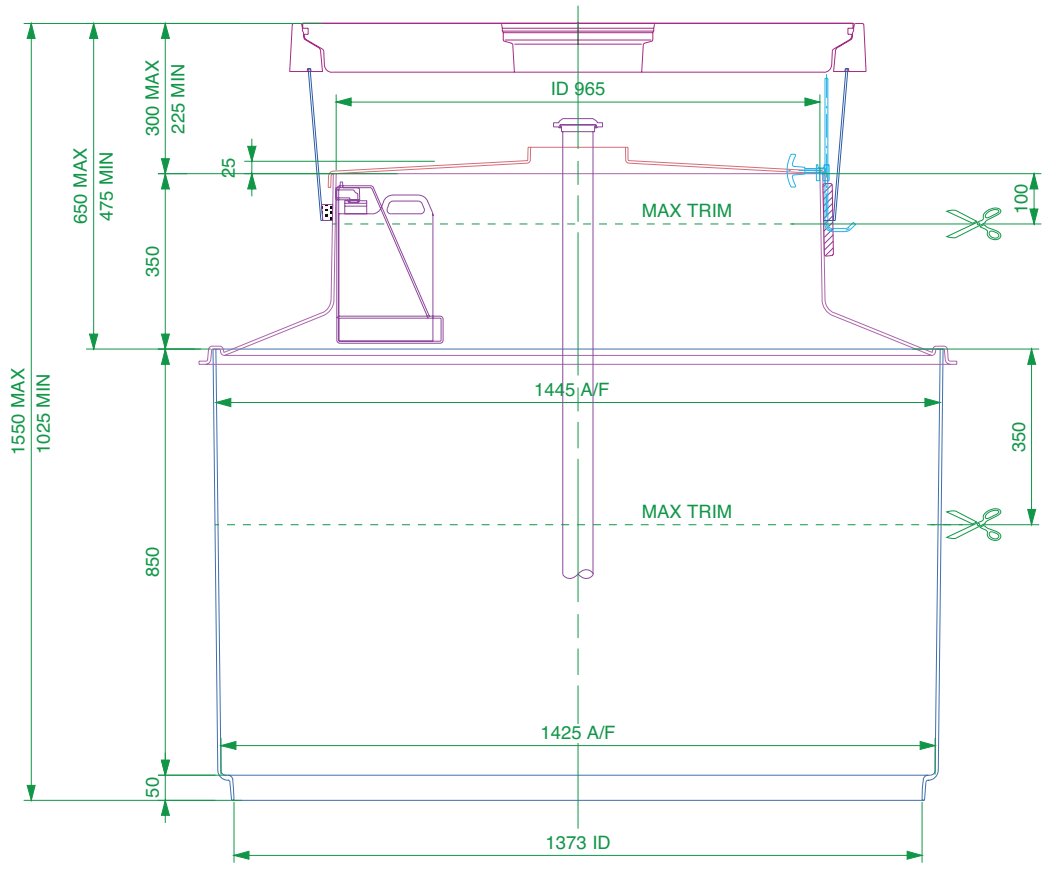
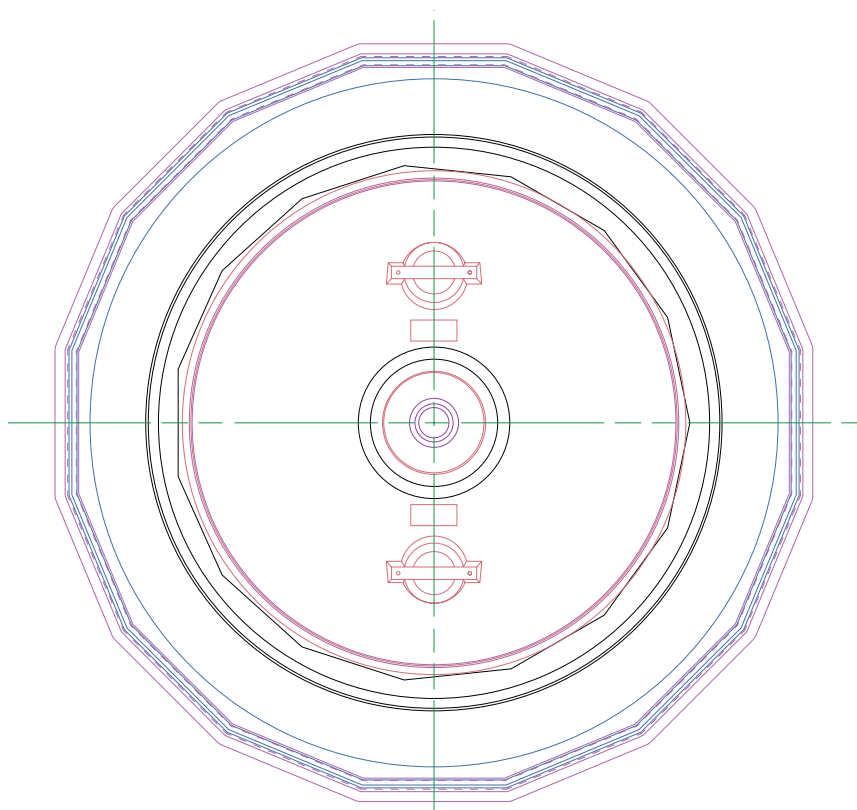
FIBRELITE 
PART OF OPW A DOWDER COMPANY



1.45m diameter sump with collar ring, corbel, internal lid, adjustable height skirt and round 1020mm flat sealed cover with an centre dip cover and frame.

For reference purposes only. This drawing is not a specification. Order against product code only. To enable continuous improvement of our products, the designs and specifications are subject to change without notice.

FIBRELITE 
PART OF OPW A DOWER COMPANY



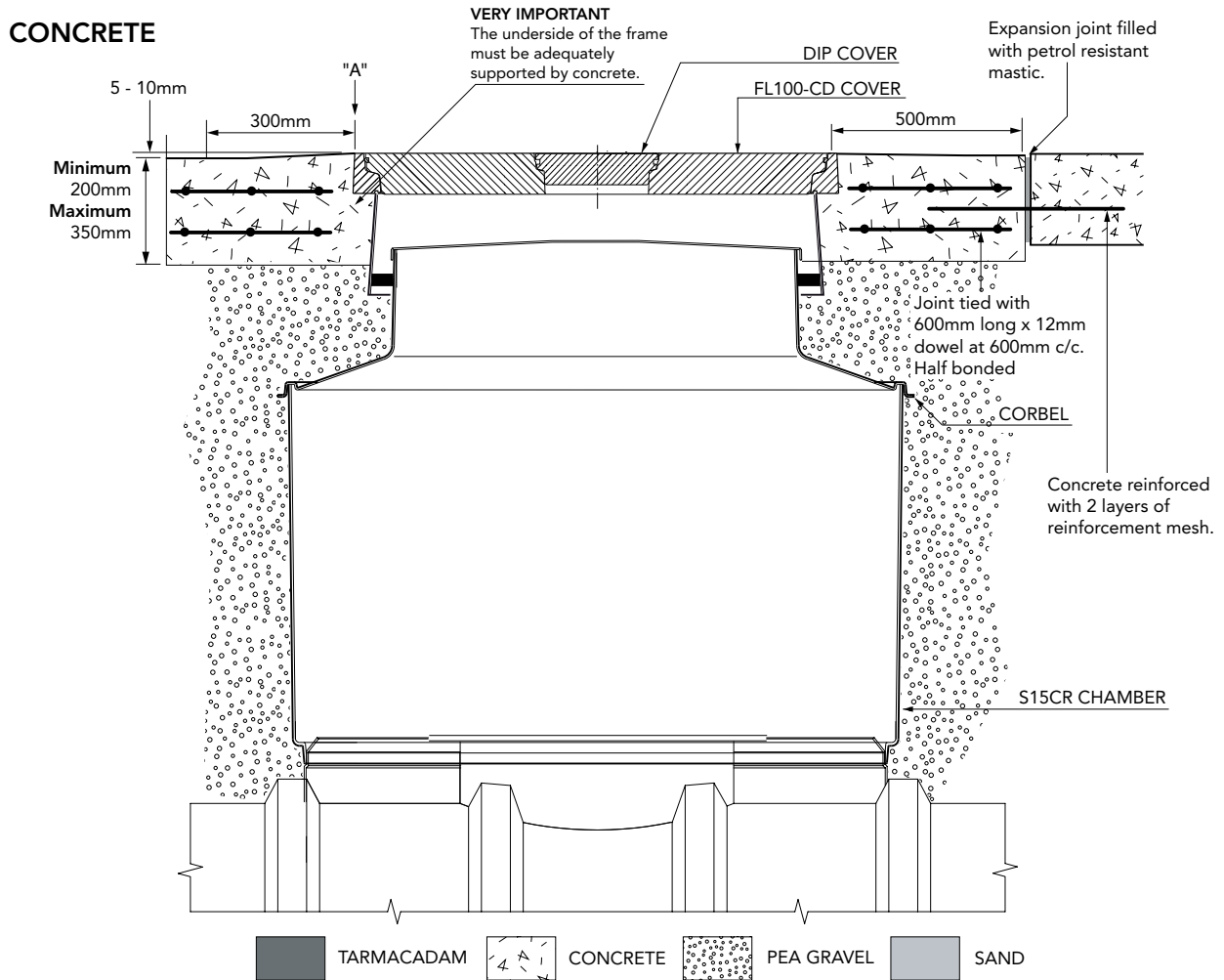
1.45m diameter sump with collar ring, corbel, internal lid, adjustable height skirt and round 1020mm flat sealed cover with an centre dip cover and frame.

For reference purposes only. This drawing is not a specification. Order against product code only. To enable continuous improvement of our products, the designs and specifications are subject to change without notice.

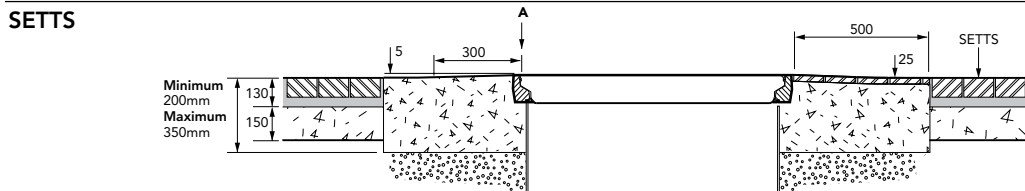
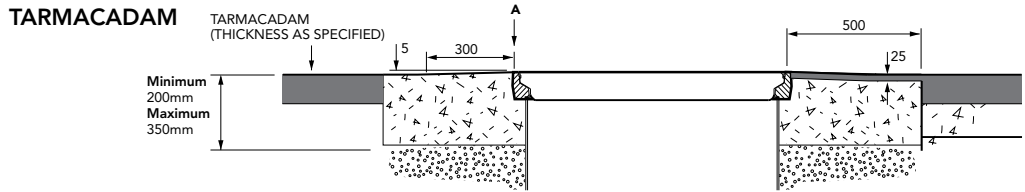


VERY IMPORTANT
 OUTER EDGE "A" OF FRAME SET 5 - 10MM
 ABOVE GENERAL FORECOURT AREA WITH
 CONCRETE RAMPED AWAY OVER 300MM.

TYPICAL INSTALLATION



ALTERNATIVE INSTALLATION ADVICE



1.45m diameter sump with collar ring, corbel, internal lid, adjustable height skirt and round 1020mm flat sealed cover with an centre dip cover and frame.

For reference purposes only. This drawing is not a specification. Order against product code only. To enable continuous improvement of our products, the designs and specifications are subject to change without notice.

FIBRELITE

PART OF OPW A DOWDER COMPANY