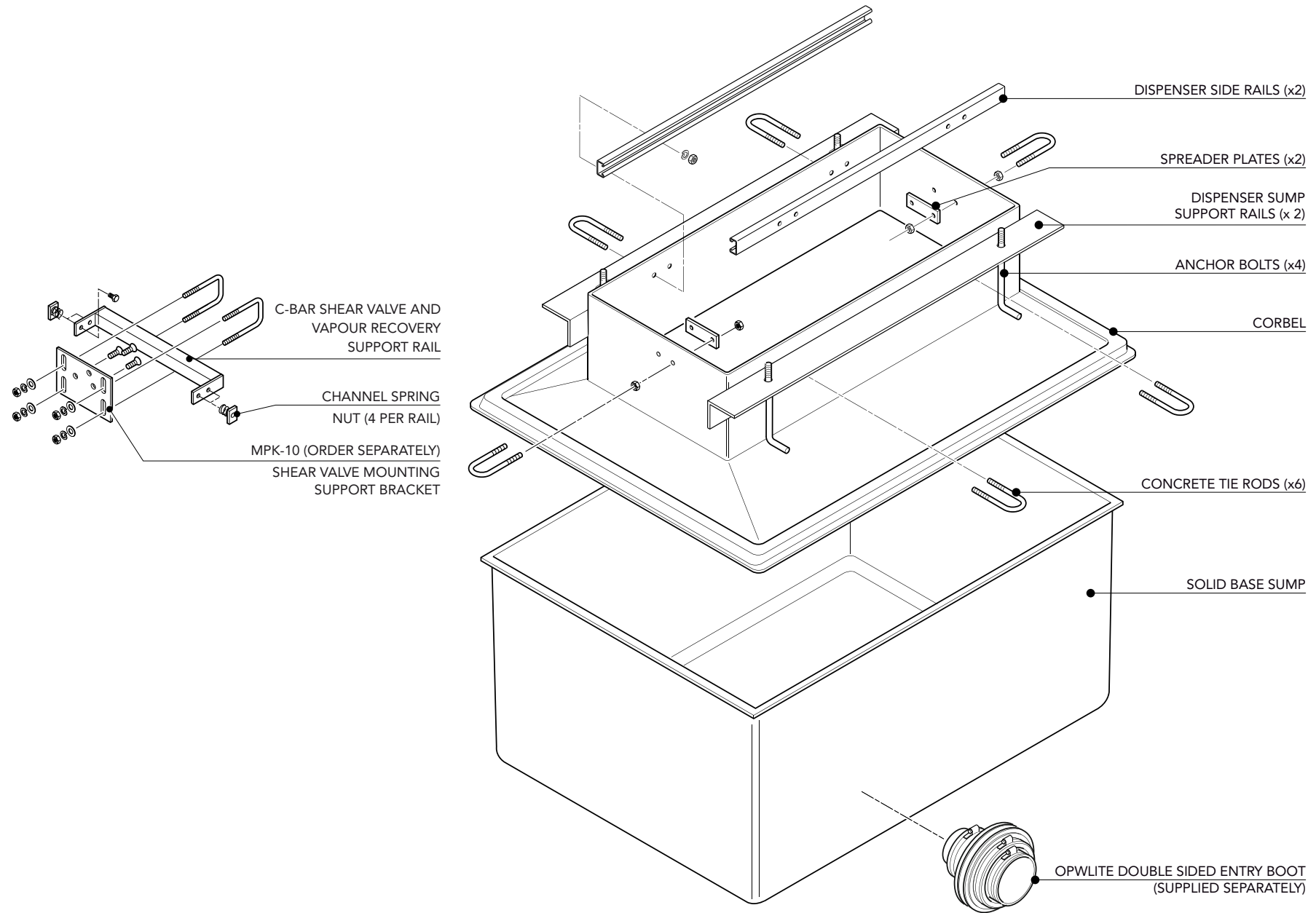


43" x 32" FRP solid base sump and corbel to fit Gillbarco dispenser model Encore 500. 4 Product. Includes dispenser support rails, shear valve rails and all fixings. Metalwork reference SIM322.

For reference purposes only. This drawing is not a specification. Order against product code only. To enable continuous improvement of our products, the designs and specifications are subject to change without notice.

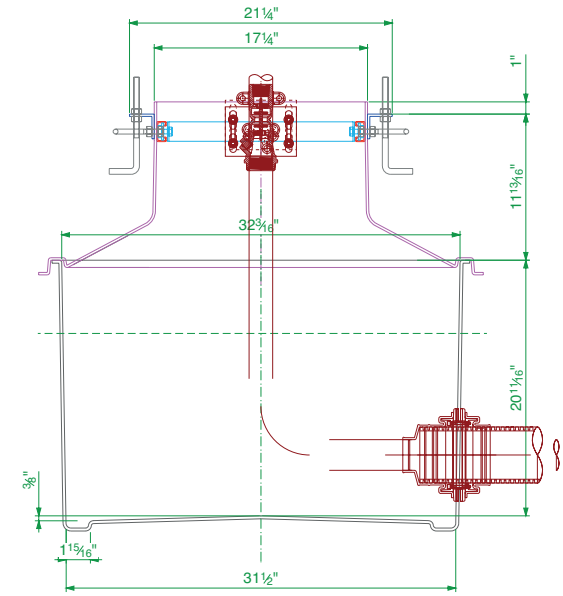
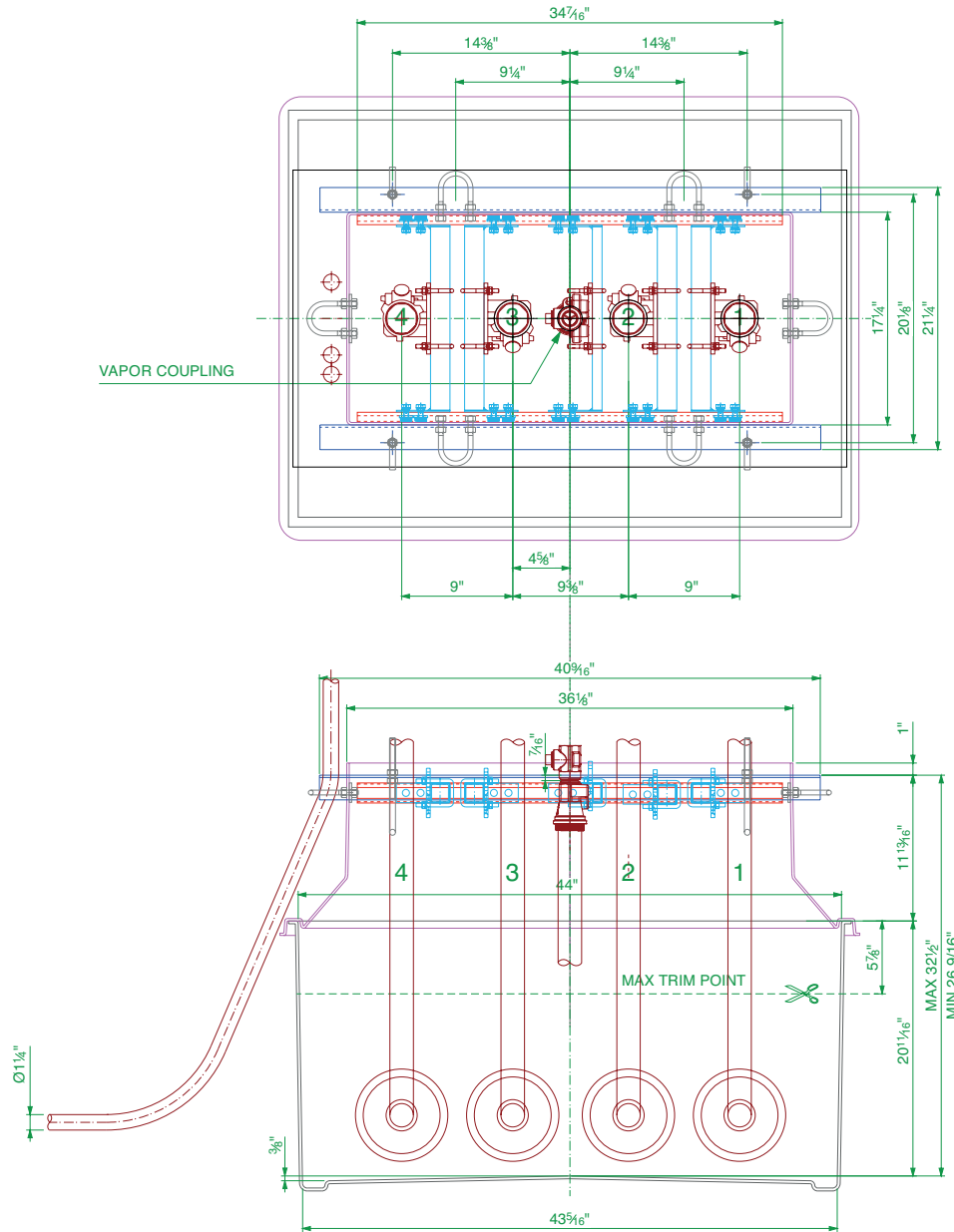
**FIBRELITE**   
 PART OF OPW a  DOVER company



43" x 32" FRP solid base sump and corbel to fit Gillbarco dispenser model Encore 500. 4 Product. Includes dispenser support rails, shear valve rails and all fixings. Metalwork reference SIM322.

For reference purposes only. This drawing is not a specification. Order against product code only. To enable continuous improvement of our products, the designs and specifications are subject to change without notice.

**FIBRELITE**   
 PART OF OPW a DOVER company



43" x 32" FRP solid base sump and corbel to fit Gillbarco dispenser model Encore 500. 4 Product. Includes dispenser support rails, shear valve rails and all fixings. Metalwork reference SIM322.

For reference purposes only. This drawing is not a specification. Order against product code only. To enable continuous improvement of our products, the designs and specifications are subject to change without notice.

