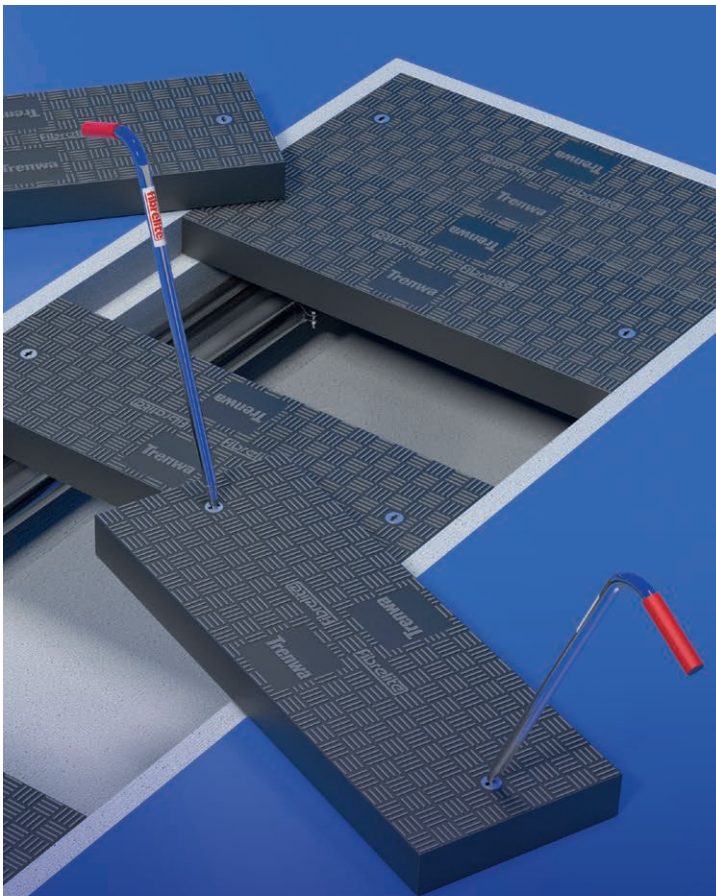
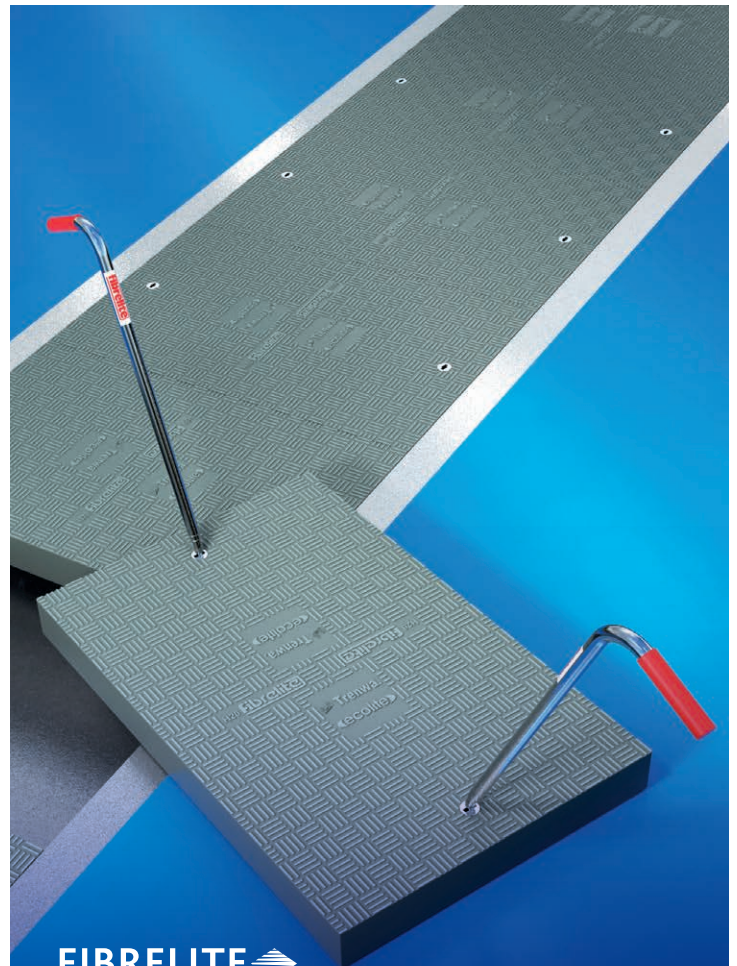


Fibrelite Lightweight Composite Lids

Manufactured from high performance polymers and engineered to outperform similar products made from concrete and fiberglass reinforced concrete materials, these lids are lightweight, yet tough enough to withstand traffic and harsh field conditions.



FIBRELITE 
LHF Trench Covers
For Frequent Traffic
Load & Proof Tested to 40,000 lbs

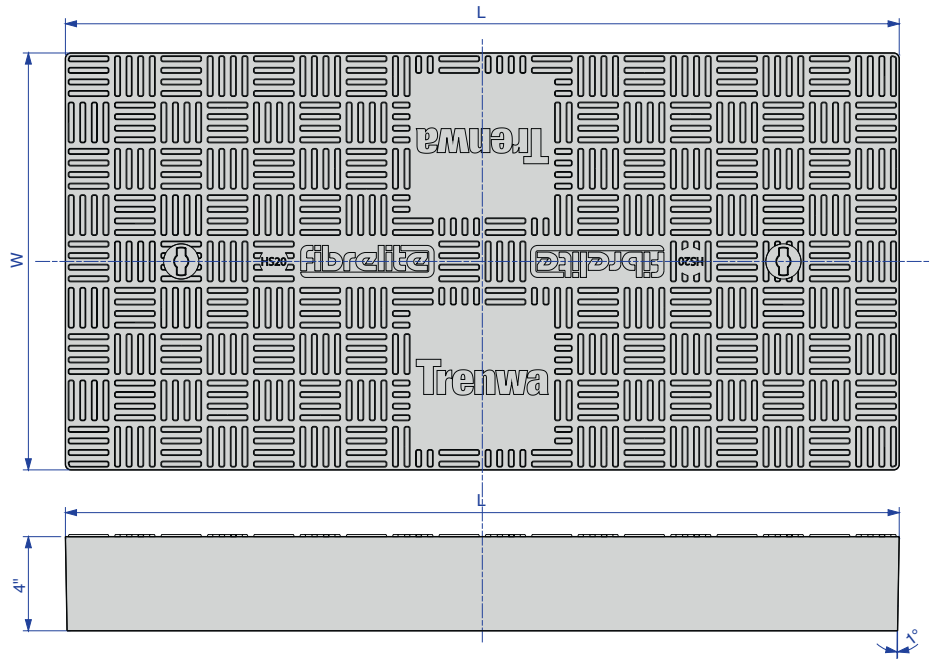


FIBRELITE 
ecolite Trench Covers
For Occasional Traffic
Load & Proof Tested to 20,800 lbs

Fibrelite Lightweight Composite Lids for HS20 Road Crossing Trench

Engineering Specifications

- Lightweight composite construction
- Chip and crack resistant
- Freeze / thaw cycle impervious
- Non-conductive
- Chemically inert
- Exceeds service requirements
- 15 year warranty
- Anti-slip / anti-static surface
- Non-corrosive
- Custom colors available
- No scrap value
- Weather resistant
- Maintenance free
- UV stable

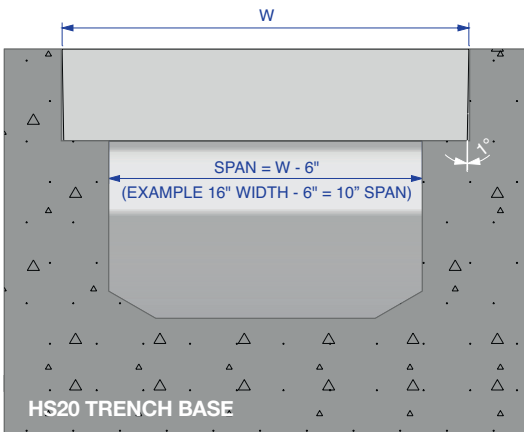


LHF H20 Trench Covers for frequent traffic.

Load and Proof Tested to 40,000 lbs

LHE H20 (ecolite) Trench Covers for occasional traffic.

Load and Proof Tested to 20,800 lbs



LHF COVERS	LHE COVERS	W=WIDTH (INCHES)	L=LENGTH (INCHES)	WEIGHT (LBS)
LHF16-60	LHE16-60	16	60	44
LHF26-60	LHE26-60	26	60	68
LHF30-60	LHE30-60	30	60	77
LHF36-60	LHE36-60	36	60	90
LHF36-30	LHE36-30	36	30	50
LHF46-30	LHE46-30	46	30	84
LHF46-20	LHE46-20	46	20	68
LHF54-20	LHE54-20	54	20	90
LHF54-30	LHE54-30	54	30	108

Trenwa - Tough Enough to Trust

Developed over 50 years ago by Trenwa - precast concrete trench is our speciality. With four modern, strategically located plants, we are the country's leading producer of durable, precast trench systems in the broadest range of types and sizes.

Tel: +1 859 781 0831

Fax: +1 859 781 1085

Email: info@trenwa.com

Address: 1419 Alexandria Pike,
Fort Thomas, KY 41075, USA

FIBRELITE 